

IK ER8.2-DVC2



IMPACT

K-SERIES

2x 200MM / 8INCH SUBWOOFER
2x2Ω PORTED ENCLOSURE



- Compact round enclosure designed for space-optimized integration in spare wheel recesses
- Sophisticated vented construction design delivers outstanding sound quality and ideal bass dispersion in the vehicle
- Equipped with two powerful 200 mm / 8" high excursion woofers with hand-scooped paper cones for high-performance bass
- Pluggable screw terminal for quick and safe installation and removal
- Impedance configurable via connection terminal allows flexible system configuration – 2 x 2 Ohms, 1 x 4 Ohms or 1 x 1 Ohm
- Flush-mounted subwoofer chassis for space-saving design and enhanced protection
- Sturdy carpet surface with embroidered HELIX logo
- Including mounting kit for secure fixation of the enclosure in spare wheel recesses

Technical data

Technische Daten

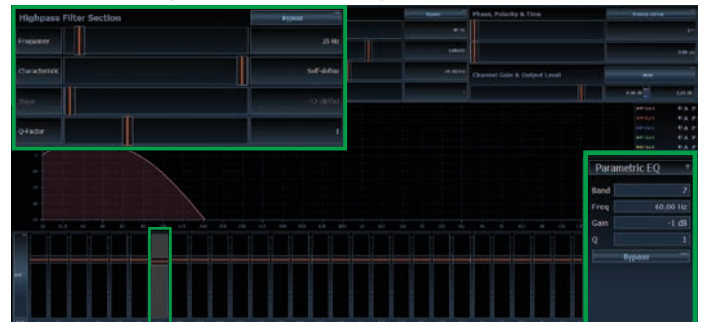
Power handling <i>Belastbarkeit</i>	RMS	600 W
Recommended amplifier power <i>Empfohlene Verstärkerleistung</i>	RMS	150 - 600 W
Impedance <i>Impedanz</i>	Z	2 x 2 Ω / 1 x 4 Ω / 1 x 1 Ω
Max. linear excursion <i>Max. linearer Membranhub</i>	X _{max}	+/- 8 mm
Port tuning frequency <i>Tunnelabstimmungsfrequenz</i>	F _b	41 Hz
Sensitivity <i>Wirkungsgrad</i>	SPL	92 dB @ 2.83V / 1m 89 dB @ 1W / 1m
Dimensions (D x H) <i>Abmessungen (D x H)</i>		580 x 160 mm 22.8 x 6.3"
Integrated subwoofer chassis <i>Verbautes Subwoofer-Chassis</i>		2 x HELIX IK W8-SVC2

Recommended DSP settings

Empfohlene DSP Einstellungen

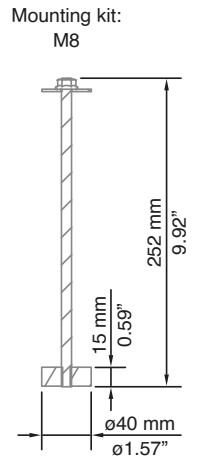
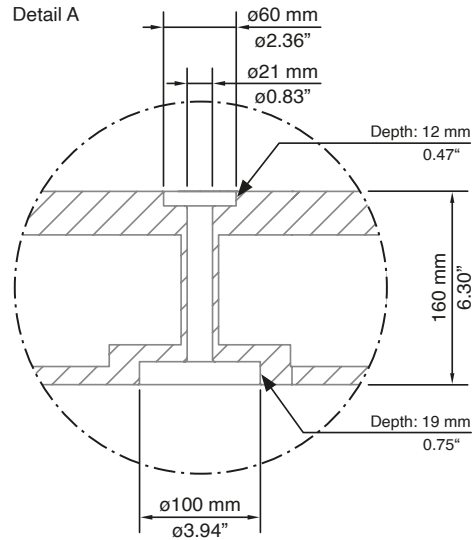
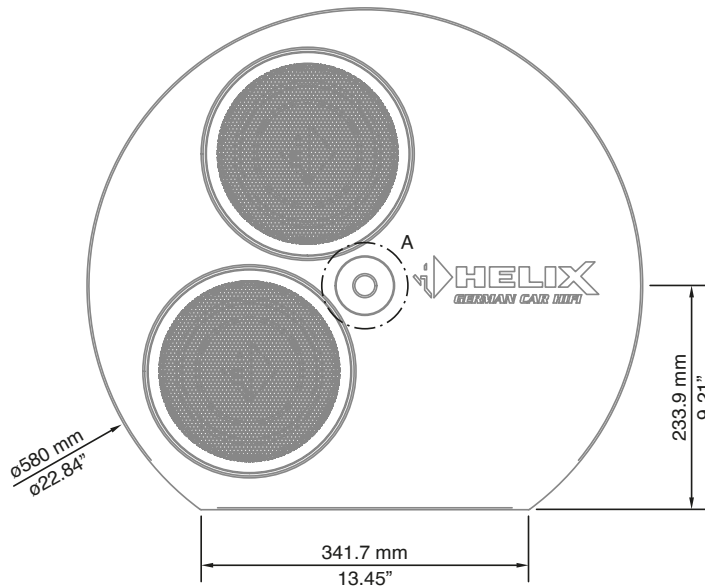
Highpass filter <i>Hochpassfilter</i>	"Self-Define": 35 Hz / Q = 1.0
EQ filter <i>EQ-Filter</i>	60 Hz / Q = 1.0 / -1 dB

Overview of the DSP settings made in the Audiotec Fischer DSP PC-Tool /
Übersicht über die vorgenommenen DSP-Einstellungen im Audiotec Fischer DSP PC-Tool



Dimensions

Abmessungen

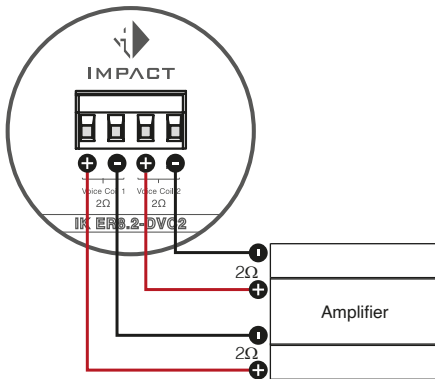


Wiring configurations

Anschluss

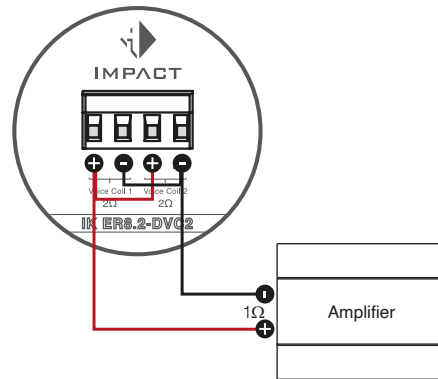
2 x 2 Ω configuration on two amplifier channels

2 x 2 Ω Konfiguration an zwei Verstärkerkanälen



1 x 1 Ω configuration on one amplifier channel

1 x 1 Ω Konfiguration an einem Verstärkerkanal



1 x 4 Ω configuration on one amplifier channel

1 x 4 Ω Konfiguration an einem Verstärkerkanal

