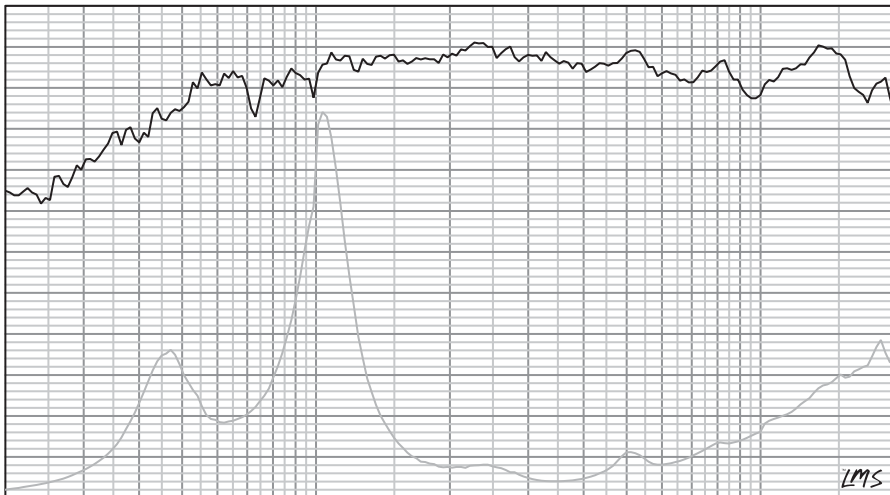




# PRO-DR1.35

Titanium Compression Driver  
Throat Diameter: 1"  
RMS Power Handling: 200 Watts  
MAX Power Handling: 400 Watts  
Frequency Response: 500Hz-20KHz  
Voice Coil Diameter: 1.35"  
Diaphragm Material: Titanium  
Nominal Impedance: 8 ohms  
Sensitivity (1W/1M): 103dB  
Magnet Weight: 16 oz  
Magnet Material: Ferrite  
Depth: 2.51" / 64 mm  
Bolt Type: Screw Down

SPL vs Freq



# PRO-DR1.35

1.35" VC  
COMPRESSION  
DRIVER

400W MAX

200W RMS

8 OHMS



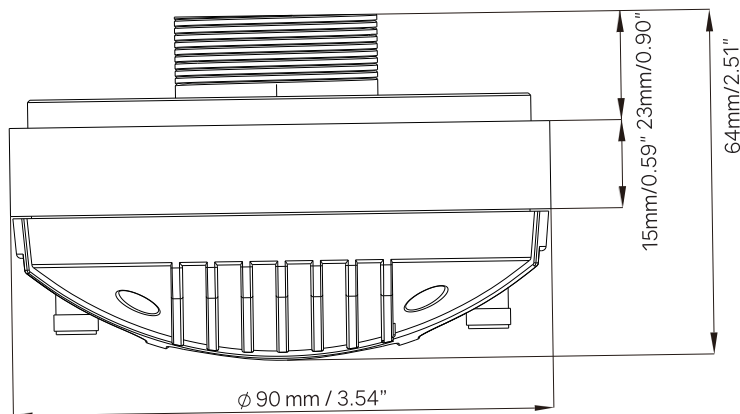
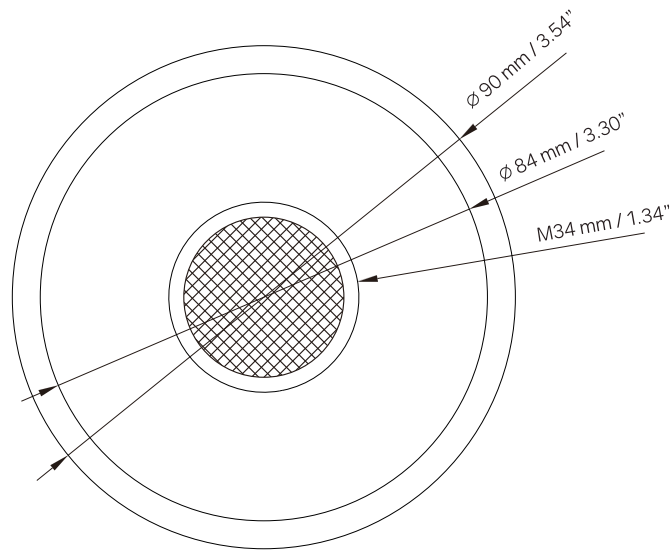
OWNER'S MANUAL

# PRO-DR1.35

TITANIUM COMPRESSION DRIVER



## Data Sheet



[WWW.DS18.COM](http://WWW.DS18.COM)

1.35" VOICE COIL TITANIUM COMPRESSION DRIVER

**PRO-DR1.35**

### Specifications

Nominal Impedance .....	8 ohms
Throat Diameter .....	1"
RMS Power Handling .....	200 Watts
MAX Power Handling .....	400 Watts
Sensitivity (1w/1m) .....	103dB
Frequency Response .....	500Hz-20KHz
Recommended Hi Pass Crossover .....	800 Hz
Voice Coil Diameter .....	1.35"
Diaphragm Material .....	Titanium
Magnet Material .....	Ferrite
Magnet Weight .....	16 oz
Bolt Type .....	Screw Down

### Measurements

Overall Diameter .....	3.54" (90 mm)
Overall Depth .....	2.51" (64 mm)

### Shipping Info

Gross Single Unit Weight.....	
Single Unit Box Dimensions W x L x H.....	
Quantity of Units in Master Carton.....	
Gross Master Carton Weight.....	
Master Carton Dimensions W x L x H.....	

# WeLikeItLoud

