



YOUR MUSIC. **YOUR POWER.**

OWNER'S MANUAL
800.4EVOX₂

EVOX₂

Introduction	3
Package contents	3
Safety instructions	4
Technologies	
DTM®	5
I-Power Supply	5
Vibration Absorption System	6
Reduced size	6
Assembling and disassembling the plastic cover	7
Panels description	
Audio inputs and controls	8
Power inputs and audio outputs	9
Installation sequence	10
Electrical dimensioning	11
Audio inputs	
RCA inputs	11
High Level inputs	11
Wiring diagram	
Four channels wiring diagram	12
Three channels wiring diagram	12
Two channel wiring diagram	13
Gain Setting	13
Crossovers set up	14
Battery connection diagram	15
Technical specifications	
Parameters	16
Dimensional data	16
Additional Information	16

Dear Consumer,

Congratulations, you have just acquired a SounDigital product of the highest technology and quality, so we thank you for your trust.

SounDigital products are made with raw materials of the highest quality standards, and the most modern processes, equipment and technology are used in their production.

IMPORTANT INFORMATION

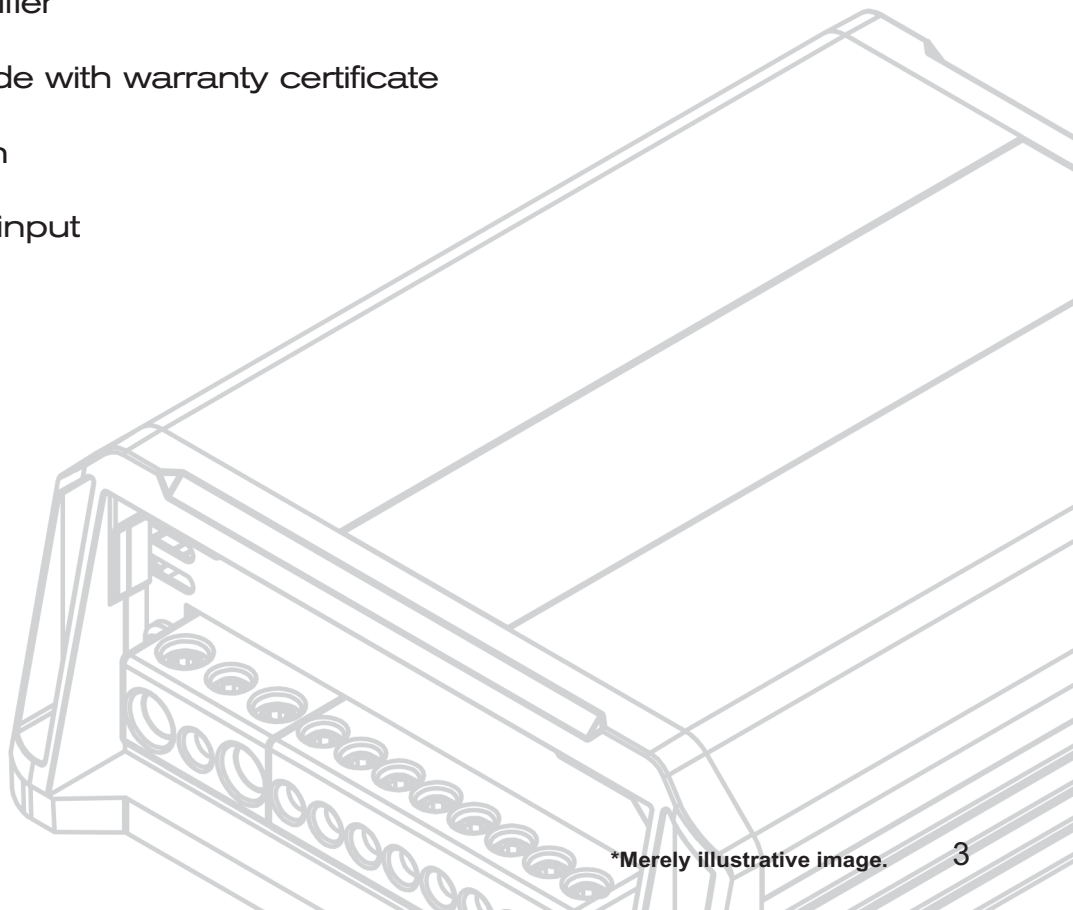
On this manual you will learn about the product, its features and characteristics, in order to obtain the best result and to be able to enjoy your music with SounDigital quality and power.

Read this manual carefully and follow precisely all the information contained therein, these are very important and allow your amplifier to work optimally. If you think it is necessary, please do not hesitate to contact our technical support at the following contact:


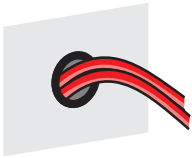
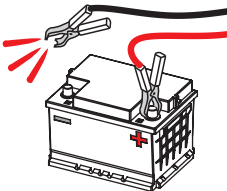
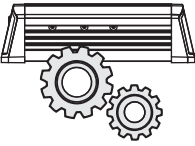


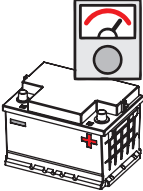



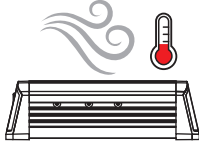
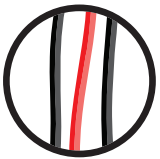
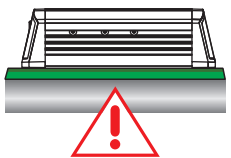

✉ info@soundigitalusa.com

PACKAGE CONTENTS

- 01 **800.4 EVOX2** amplifier
- 01 Quick installation guide with warranty certificate
- 01 Allen wrench 2.0mm
- 02 Cables for high level input
- 01 Promotional sticker



To avoid injury to the user or damage to the amplifier, read all safety instructions written on this manual.

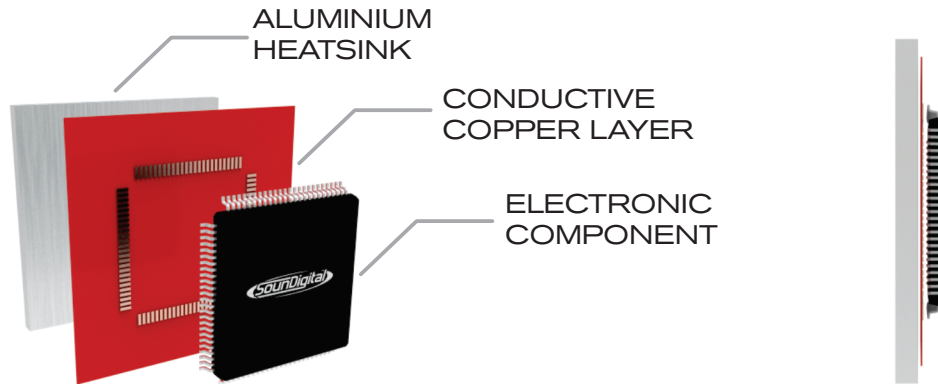
<p>The installation of this product must be done by a qualified professional. In case of any doubt, please contact our technical support;</p>		 <p>When passing cables through metallic walls, use rubber O-rings to avoid cable cutting and short-circuits;</p>
<p>Before proceeding with the installation of any electric equipment on your vehicle, unplug the negative (-) terminal of the battery to avoid fires, injuries or damages;</p>		 <p>Make sure that the chosen location for the amplifier installation does not affect the operation of the vehicle;</p>
<p>Use your sound system safely. The continuous exposure to sound pressures over 85dB may cause irreversible hearing damage;</p>		 <p>This product may reach temperatures over 60°C (140°F). Make sure it is cold before touching it;</p>
<p>This equipment is for use in automotive DC voltage batteries between 12.6 and 14.4 volts. Before installing the equipment, check voltage of the batteries;</p>		 <p>Clean the amplifier periodically with brush or dry cloth to assure the thermal efficiency of the heatsink;</p>
<p>Do not install the amplifier in places exposed to water, dirt or humidity;</p>		 <p>Be careful when making holes in the vehicle. Make sure you are not making holes in the fuel tank, brake lines or electrical cables of the vehicle;</p>
<p>Choose a ventilated place to install the amplifier and avoid blocking the side ventilation windows;</p>		 <p>Make sure the cables are properly secured throughout the installation;</p>
<p>Fix the amplifier properly and firmly. Avoid fixing to metallic parts of the vehicle, as this procedure may cause ground looping (noise);</p>		 <p>Wear gloves, safety glasses and all necessary PPE during the installation of SoundDigital amplifiers.</p>



Warning!

THIS "WARNING" SIGN ALERTS THE USER OF IMPORTANT INFO. NOT FOLLOWING THESE INSTRUCTIONS MAY CAUSE INJURIES TO THE USER OR DAMAGE TO THE EQUIPMENT.

DYNAMIC THERMAL MANAGEMENT - DTM®

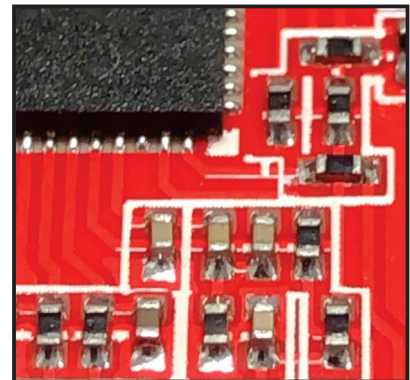


The **DTM*** is a dynamic thermal recovery system which always maintains a high efficiency of the amplifier by accelerating the thermal exchange of electronic components with the heatsink.

**Patent required.*

ULTRA COMPACT PCB

An intelligent layout, with great use of the PCB area and the use of modern components with reduced structure guarantee **Soundigital** products a compact design, at the same time robust and with excellent thermal efficiency.

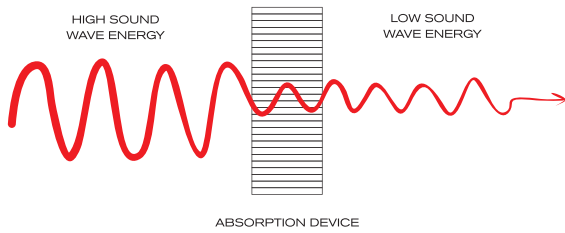


I-POWER SUPPLY

Soundigital amplifiers are known for their low consumption of battery, and this feature was improved on the **EVOX2 Line**. The new **I-POWER SUPPLY** is even more modern, which replaces the old toroidal transformers by a new generation of "E-E" core transformers delivers efficiency above 90%*, ensuring more hours of sound without battery recharge.

**Efficiency measured at power supply only.*



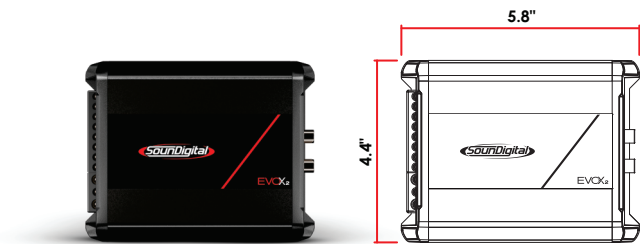


VIBRATION ABSORPTION SYSTEM - VAS®

Our VAS® Technology reduces all impact caused by vibration on the electronic circuit board. This can include road vibration and even vibration caused by sound waves, increasing the reliability of our amplifiers.

REDUCED SIZE

The technology used in our amplifiers bring both high performance and power into a compact chassis, providing flexible installation solutions for vehicles with limited space.



FULL RANGE

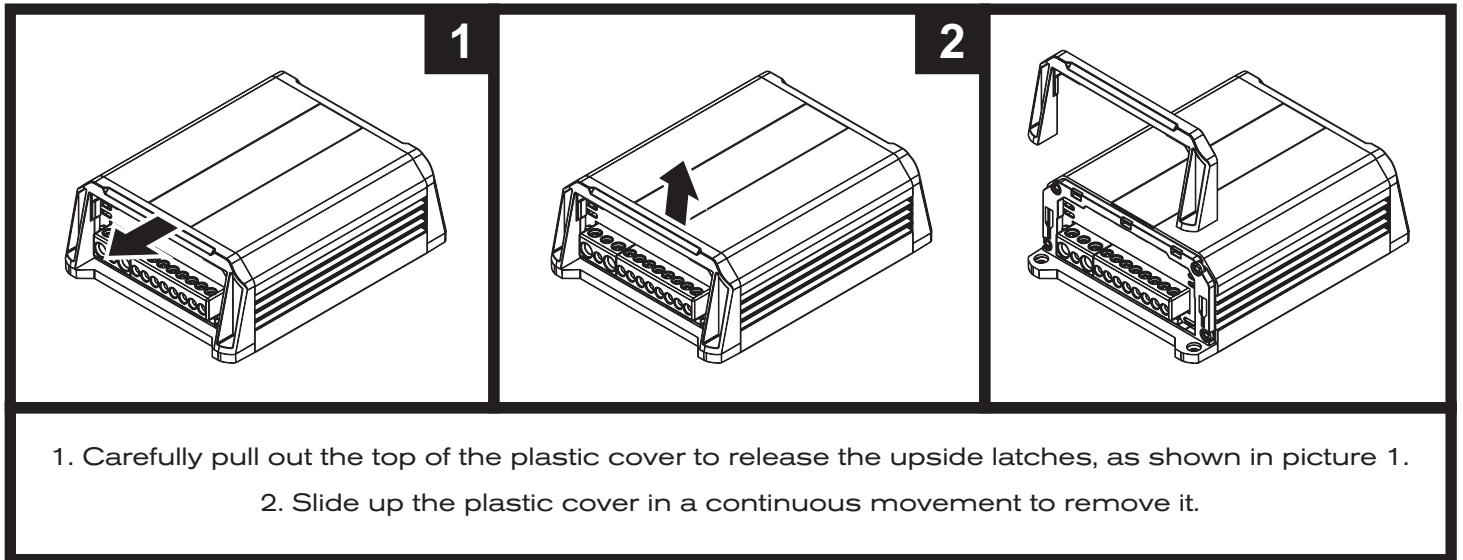
AMPLIFIER

FULL RANGE

The **800.4 EVOX2** amplifier is a versatile product that cover the entire audible frequency range, any type of loudspeaker or music program.

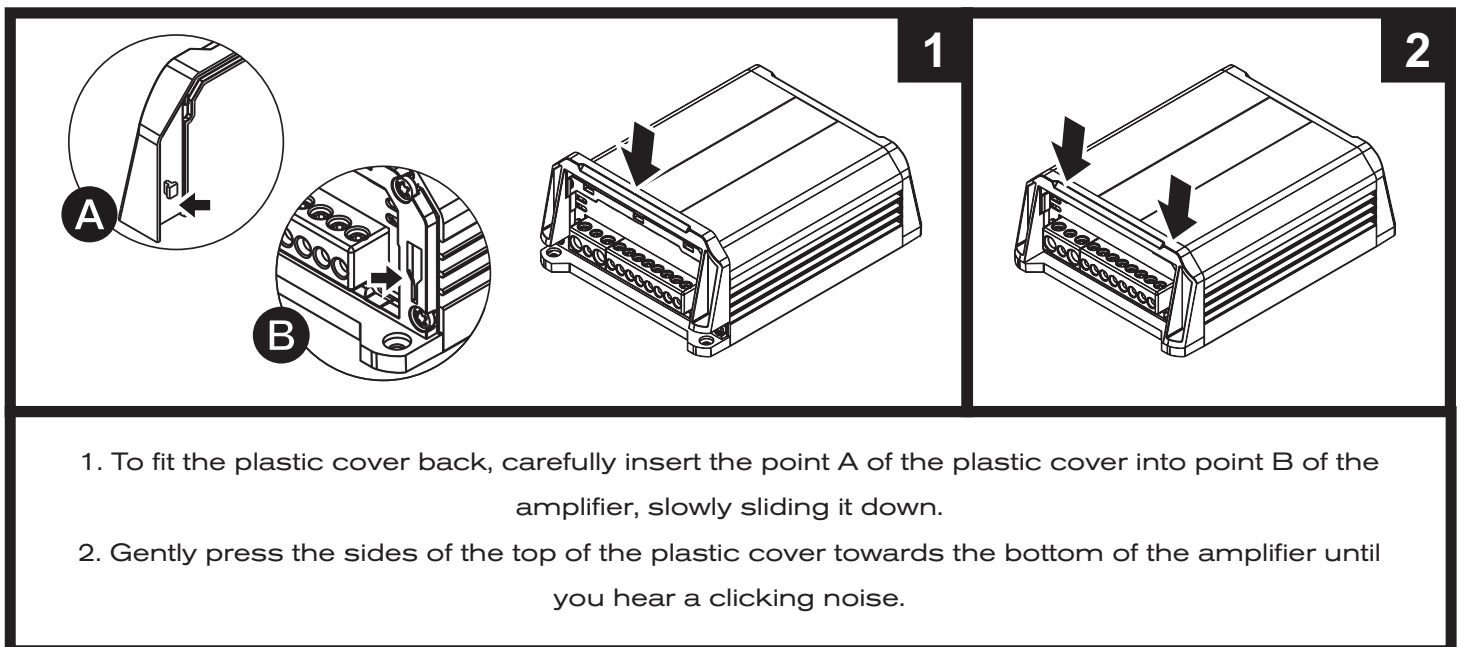
The plastic covers are used to finish off and hide the amplifier's fixing screws. To disassemble and assemble them, follow the instructions below.

DISASSEMBLING OF THE PLASTIC COVER

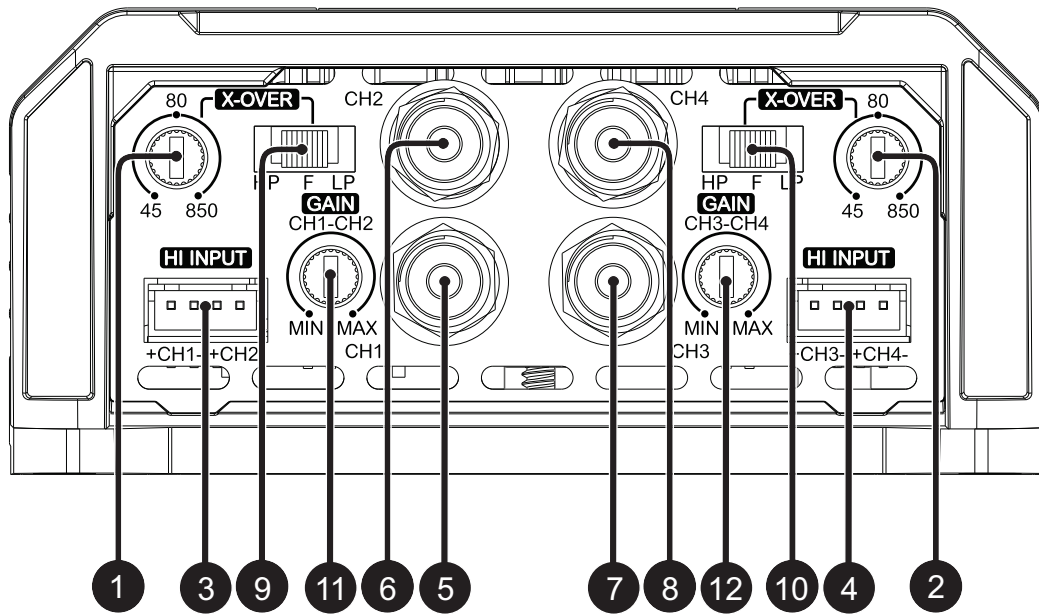


*Merely illustrative images.

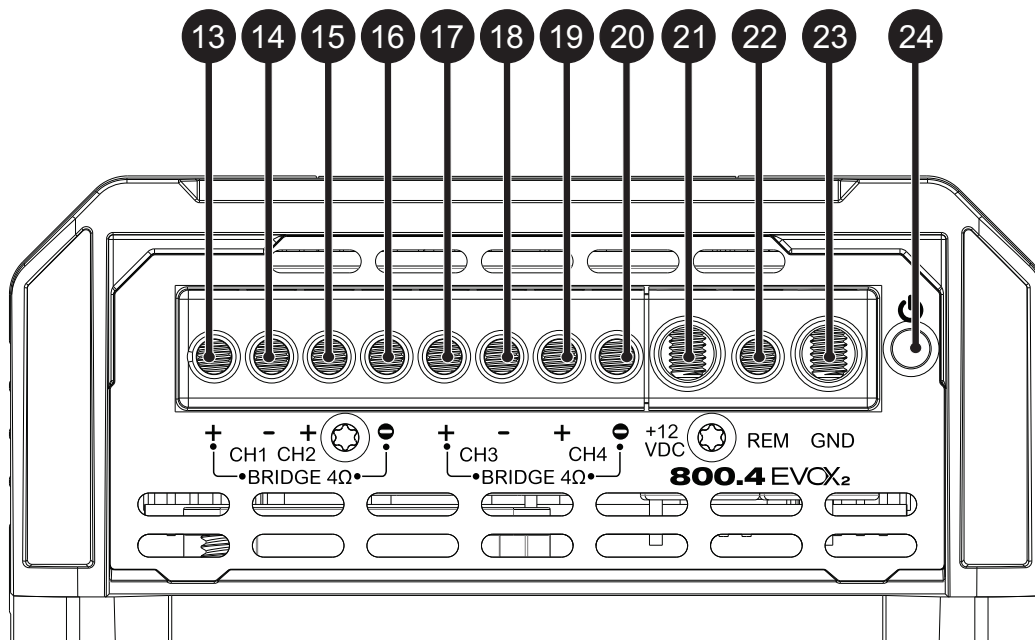
ASSEMBLING THE PLASTIC COVER



*Merely illustrative images.



1	CH1/CH2	Variable crossover control (45Hz ~ 850Hz)
2	CH3/CH4	
3	CH1/CH2	Audio input – High Level (To connect to the speaker output of the head unit)
4	CH3/CH4	
5	CH1	Audio inputs – RCA connectors
6	CH2	
7	CH3	
8	CH4	
9	CH1/CH2	Crossover switch key High Pass – Full – Low Pass
10	CH3/CH4	
11	CH1/CH2	Variable Gain control
12	CH3/CH4	



13	CH1	Positive speaker connector (+)
14	CH1	Negative speaker connector (-)
15	CH2	Positive speaker connector (+)
16	CH2	Negative speaker connector (-)
17	CH3	Positive speaker connector (+)
18	CH3	Negative speaker connector (-)
19	CH4	Positive speaker connector (+)
20	CH4	Negative speaker connector (-)
21	-	Positive power supply connector (+12VDC)
22	-	Remote power supply connector (REM)
23	-	Negative power supply connector (GND)
24	Blue	"POWER ON" LED indicator

**Warning!**

BEFORE PROCEEDING WITH THE INSTALLATION, UNPLUG THE NEGATIVE TERMINAL FROM ALL OF THE BATTERIES, TO AVOID FIRE, DAMAGE TO THE AMPLIFIER AND THE USER HIMSELF.

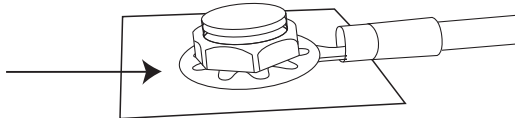
- Fix the amplifier so that the connectors can be easily accessed;
- Install the power cables in the vehicle properly, starting from the battery to the fuse holder or circuit breaker, use the cable with the appropriate size. Make all connections, install fuse holders or circuit breakers, but without placing the fuses or with the circuit breakers in the "OFF" position;

**Warning!**

THE MAXIMUM DISTANCE FOR THE INSTALLATION OF THE FUSE/CIRCUIT BREAKER IS 12 INCHES (30cm) AWAY FROM THE BATTERY.

- Connect the power cables in to the amplifier, observing the polarity. Connect all the positive cables (+) from the fuse holder or circuit breaker to the positive conector of the amplifier and all the negative power cables from the batteries to the negative connector of the amplifier;
- The ground cable must be as short as possible and must be connected to the vehicle chassis and the battery negative;

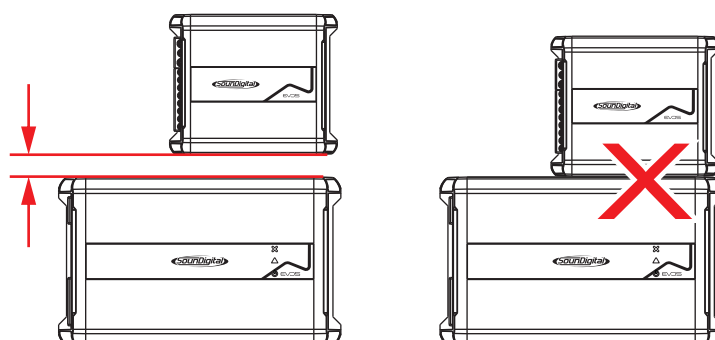
Remove the paint
between the terminal
and chassis



- Install the signal input cables in a proper way, distant from the power cables;
- Connect the RCA or the high level signal input cables to the head unit and amplifiers;
- Install the audio output cables with the appropriate section, distant from the power and audio input cables;
- Connect the audio output cables to the amplifier and speakers respecting the positive (+) and negative (-) polarities;
- Install the remote cable with the power cables, using 1.5mm² (15 AWG) cable or thicker;
- Connect the remote power cable to the amplifier's "REM" terminal at the main unit's remote power output (when not using the high level signal inputs);
- Before powering the system, verify all the connections and make sure there are no mistakes or short-circuits on the power and ground cables;
- Reconnect the ground of the batteries;
- Check if the head unit is turned off and then place the fuses in the fuse holders or switch the circuit breakers on;
- Turn on the main unit and the amplifier will turn on the "POWER ON" LED indicating that it is in operation.

**Warning!**

Minimum recommended
installation distance
between amplifiers*.
1.18in. (30mm)



*For installations with more than one amplifier, second unit not included. Merely illustrative images.

ELECTRICAL DIMENSIONING

For proper operation of your SounDigital amplifier, you need the proper dimensioning of the electrical system and the cables used.

The table below shows the minimum section of GND cables, +12VDC cables and speaker output cables according to the power generated by the amplifier.

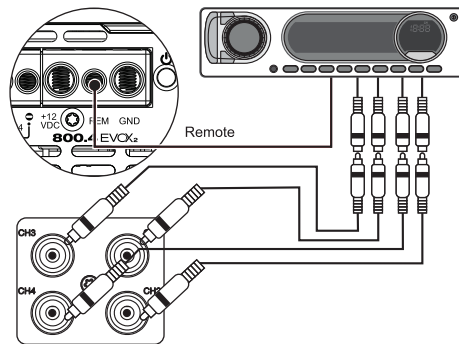
800 WRMS	POWER CABLE (+12VDC)	10mm ² (7 AWG)
	GROUND CABLE (GND)	
	SPEAKER CABLE	2 x 1.5mm ² (15 AWG)

We recommend the use of only OFC (Oxygen Free Copper) cables on the installation of our products.

Copper-clad aluminum wire (CCAW) must not be used.

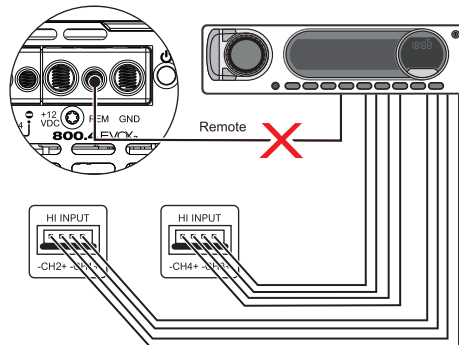
AUDIO INPUTS

RCA inputs



All RCA inputs must be connected for the amplifier to work properly. If the signal source is mono type, use "Y" cable at the input.

High level signal inputs



All High level signal inputs must be connected for the amplifier to work properly.

High level input must be used when the main unit does not have RCA outputs.

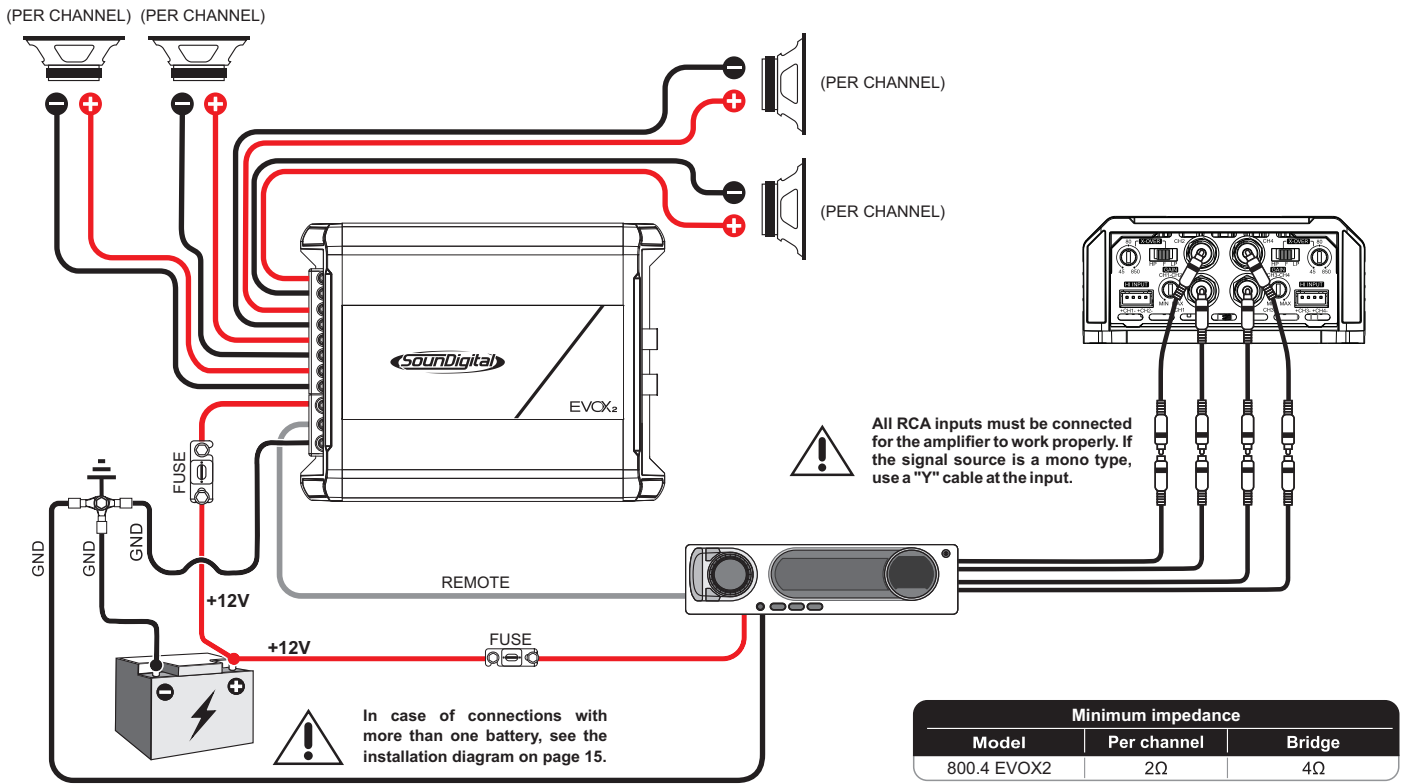
When High level input is used, no remote connection is required, the amplifier recognizes the audio signal and switches on.

If your source unit is not able to turn on the amplifier through the High level input, the remote input should be connected normally.

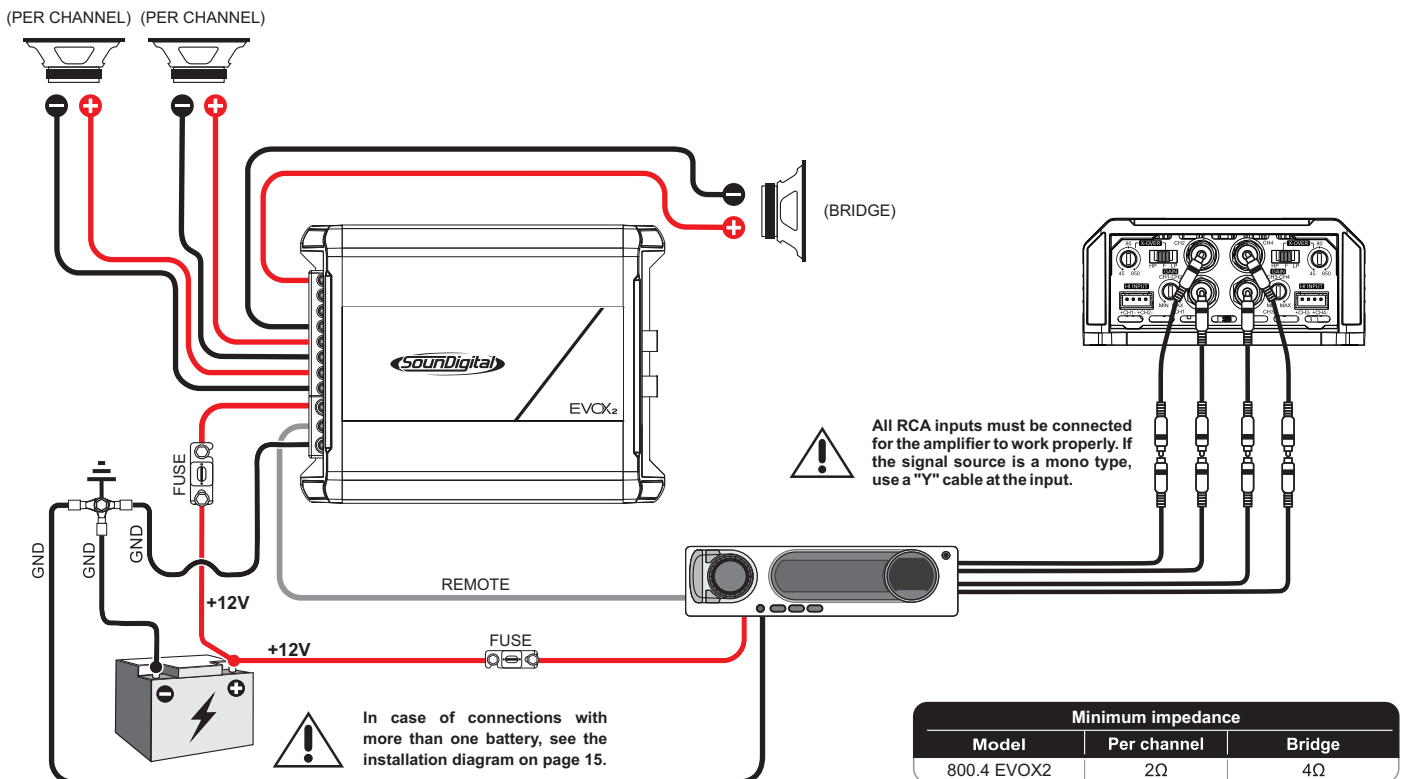


RCA AND HIGH LEVEL INPUTS SHOULD NOT BE USED SIMULTANEOUSLY OR YOU MAY DAMAGE THE AMPLIFIER.

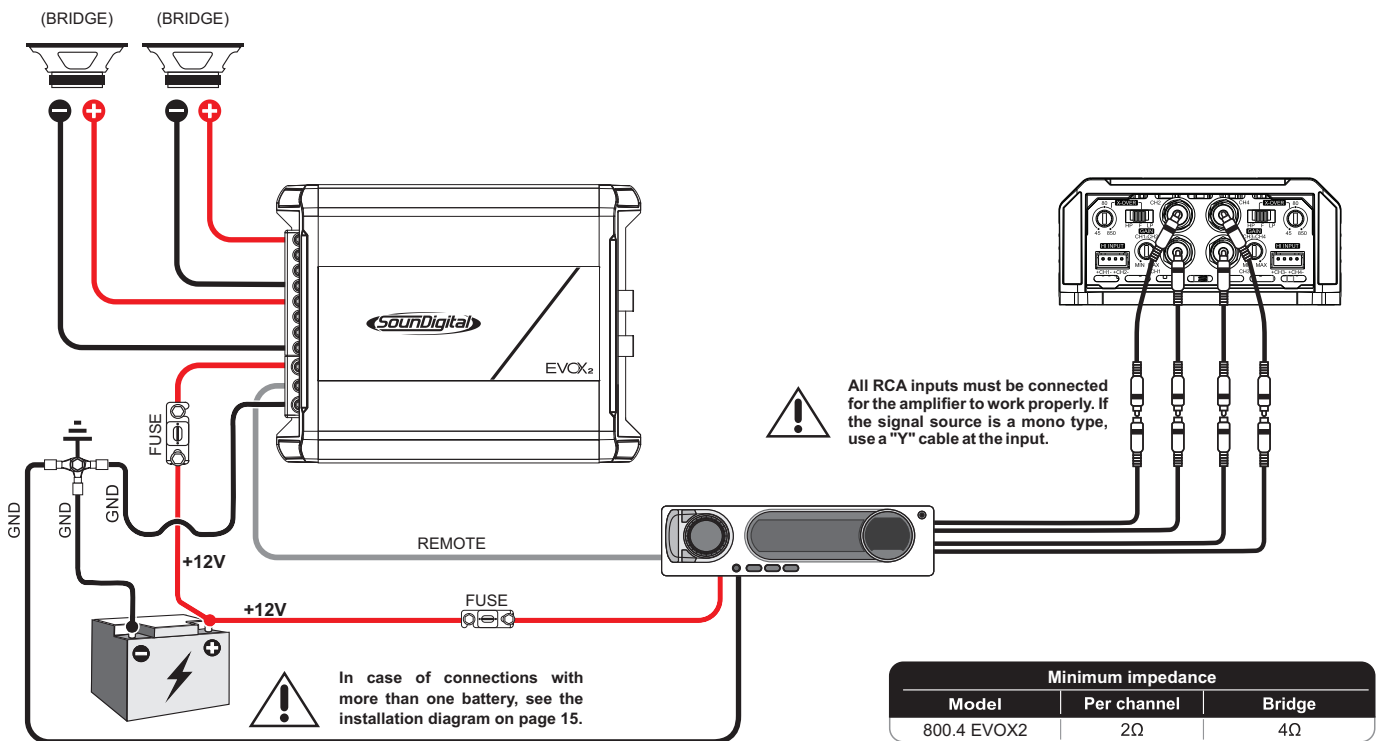
4 CHANNELS WIRING DIAGRAM



3 CHANNELS WIRING DIAGRAM



2 CHANNELS WIRING DIAGRAM



GAIN SETTING

Necessary equipment:

- Digital AC voltmeter;
- Media with sine wave test tone 60Hz recorded at 0db;
- Screwdriver 1/8" (for gain setting);

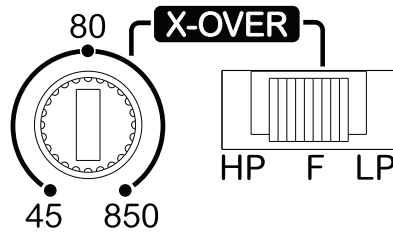
Set up procedure

- This procedure is the same for both gain controls;
- Turn the gain control all the way down;
- Disconnect the output cables from the amplifier outputs;
- Turn off all processing (bass, treble, loudness, EQ, etc.);
- Set the audio player volume to 3/4 of full volume;

- Set the audio player fader control to center position (left and right fader controls);
- Set the crossover selector switch in "F";
- Use a 60 Hz sine wave;
- Connect the AC voltmeter to the speaker output connectors of the amplifier. Make sure you test the voltage at the correct connectors (+ and -);
- Increase the gain control until the target voltage is observed with the voltmeter (see the chart below);
- Once you have adjusted the amplifier to the correct voltage output, turn off the source unit and reconnect the speaker(s).

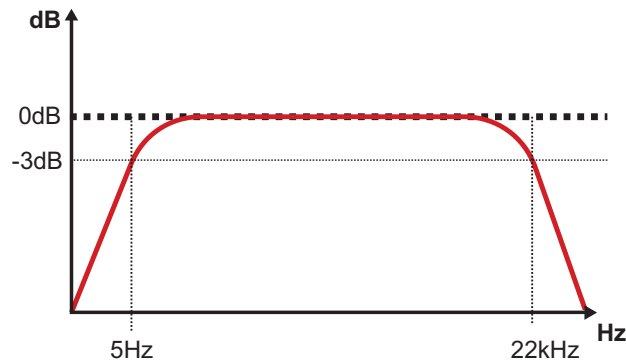
MODEL	STEREO / POWER	BRIDGE / POWER	STEREO OUTPUT VOLTAGE	BRIDGE OUTPUT VOLTAGE
800.4 EVOX ₂ 4Ω	2Ω / 200W	4Ω / 400W	20.0 V	40.0 V

Download the tracks for set up in <https://sounddigitalusa.com/tracks-for-set-up/>

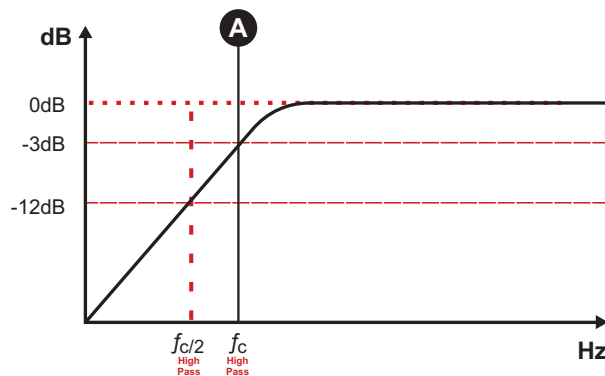


"F" Set variable control in Full Range function;
 "LP" Set variable control in Low Pass function;
 "HP" Set variable control in High Pass function.

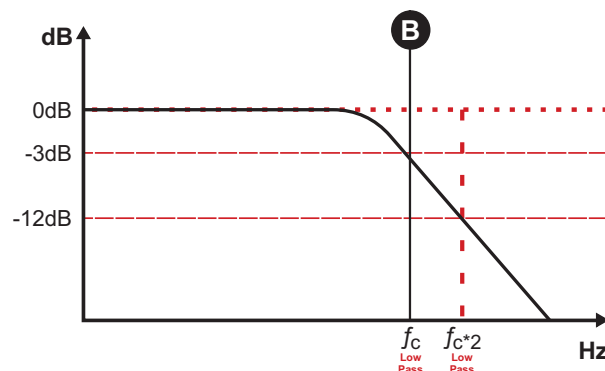
➤ Change the switch to "F" position (Full Range) - All the frequencies will be reproduced.



➤ Change the switch to "HP" position - Set in the variable control between 45Hz and 850Hz ("A") where you want to perform the high pass cut filter;

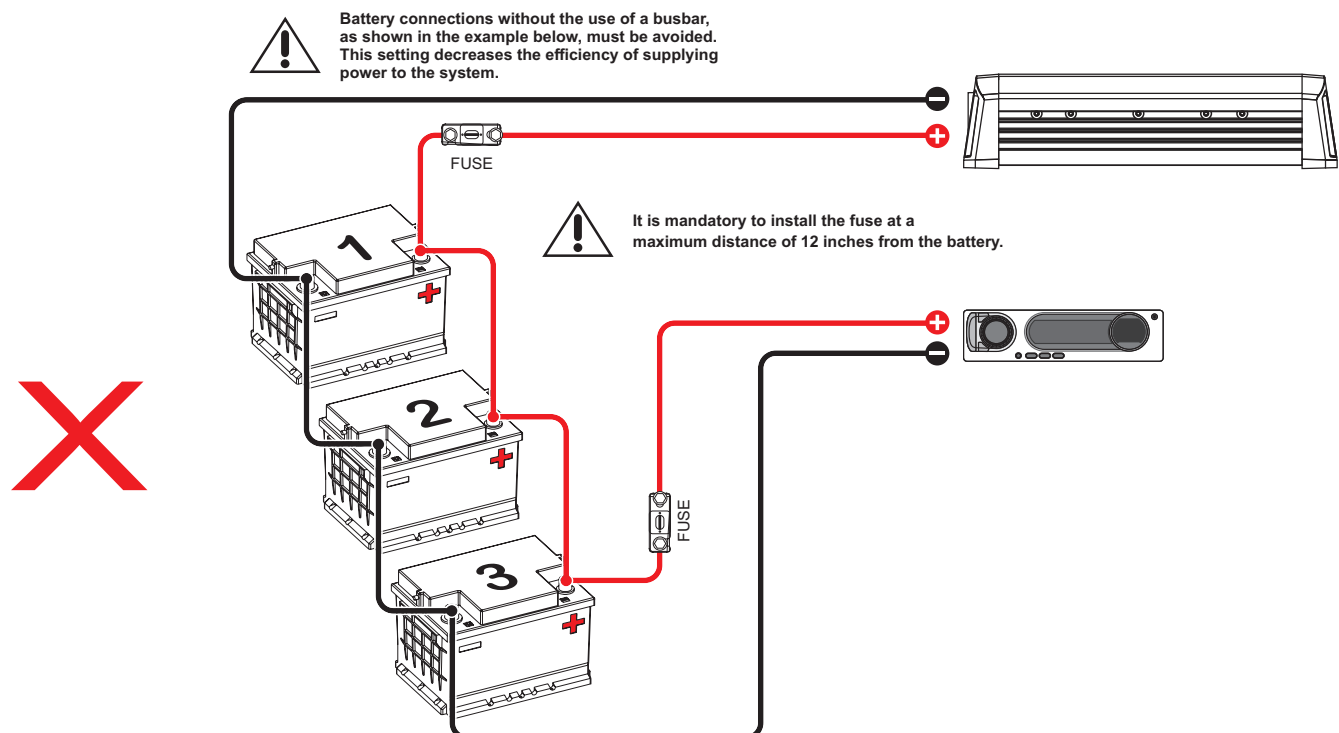
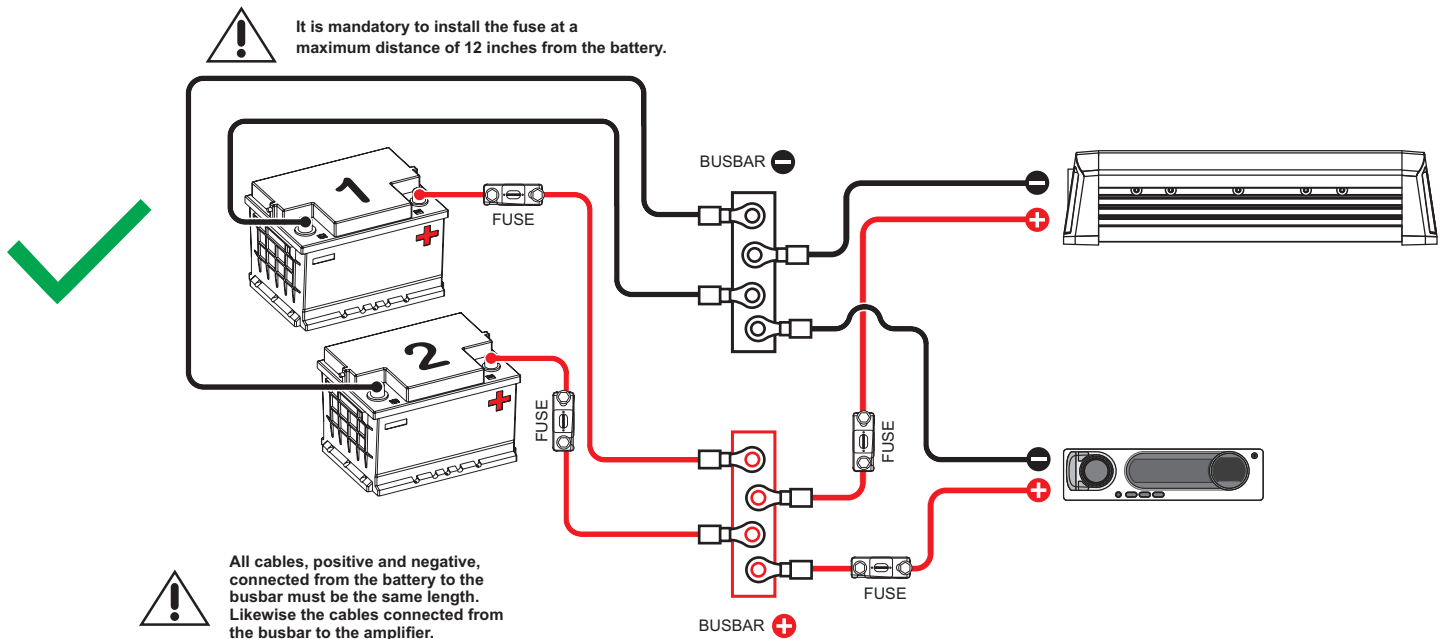


➤ Change the switch to "LP" position - Set in the variable control between 45Hz and 850Hz ("B") where you want to perform the low pass cut filter.



When necessary the association of one or more battery banks to supply the necessary current to the amplifier, it is recommended to use batteries of the same brand, model, and if possible the same manufacturing lot so that the system has the maximum performance.

For an ideal energy performance, we recommend that all batteries be connected to positive and negative busbars and the busbars connected to the amplifier, as shown in the diagram below:



PARAMETERS	800.4 EVCX ₂ 4Ω
Power RMS @ 4Ω**	4 x 132W
Power RMS @ 2Ω**	4 x 200W
Power RMS (Bridge) @ 8Ω**	2 x 264W
Power RMS (Bridge) @ 4Ω**	2 x 400W
Frequency Response (-3dB)	5Hz ~ 22kHz
Low Pass filter (12dB/octave)	45Hz ~ 850Hz
High Pass filter (12dB/octave)	45Hz ~ 850Hz
Operating Voltage	8V ~ 16V
SNR	91dB
Input Sensitivity (RCA)	0.2 ~ 2V
Input Sensitivity (High Level input)	1.5 ~ 15V
Current Draw (music)	35A
Current Draw (max.)	70A
Total Efficiency	80%
Damping Factor (@100Hz nominal impedance)	200
Power Cable	10mm ² (7 AWG)
Speaker Cable	2 x 1.5mm ² (15 AWG)
Recommended Fuse* (music)	40A
Recommended Battery (minimum)	60Ah

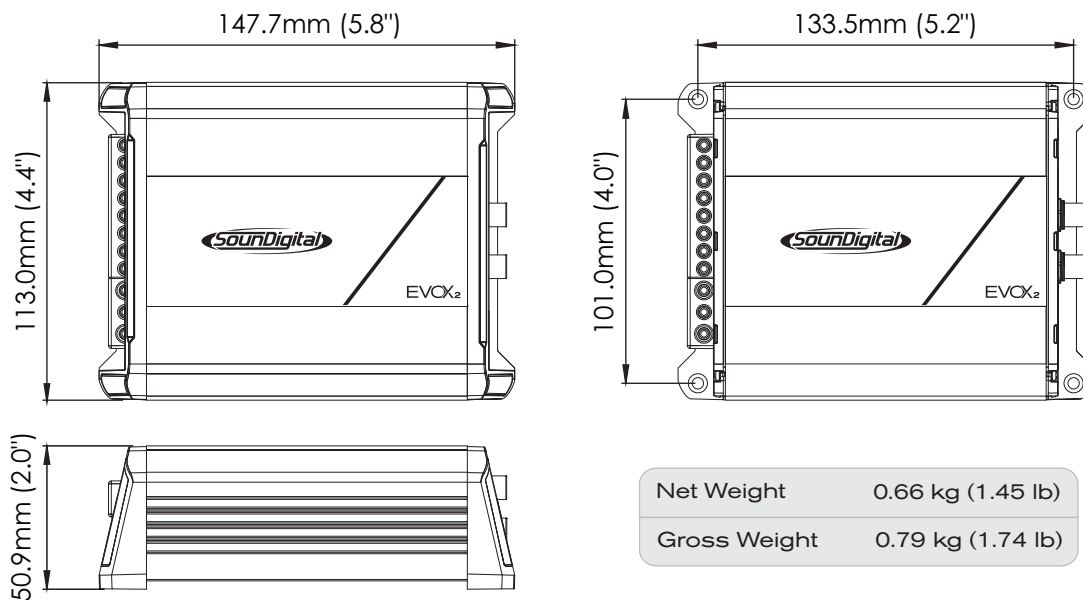
*It is mandatory to install the fuse at a maximum distance of 12 inches from the battery.

**Power at 14.4V @ 60Hz with a maximum THD of 1%.



**POWER RATING ACCORDING TO CTA-2006 INDUSTRY STANDARDS.

DIMENSIONAL DATA



ADDITIONAL INFORMATION

The values presented are based on measurements performed in SounDigital's laboratories. All the equipment used in the assays, tests, measurements and gauging of the technical parameters of SounDigital products were calibrated in certified laboratories, thus ensuring the performance and standard of excellence of the developed products.

The Manufacturing Process may present variations, and the electronic components may also present changes in values in relation to their nominal parameters. Thus, causing small differences between measurements taken. Small variations in the values presented and divulged by SounDigital are recognized.



Updates of information made in this document will always be published and made available for consumer consultation, free of charge, on the brand's websites. The user is advised to search for the manual in its latest version when necessary.

The images presented in this document are representative and merely illustrative; therefore, they do not necessarily correspond to the actual product/model.



YOUR MUSIC. **YOUR POWER.**



Consumer
Technology
Association™



WWW.SOUNDIGITALUSA.COM



[SOUNDIGITALUSA](https://www.facebook.com/SOUNDIGITALUSA)



[SOUNDIGITALUSA](https://www.instagram.com/SOUNDIGITALUSA)