



YOUR MUSIC. **YOUR POWER.**

**OWNER'S MANUAL**  
**1200.2EVOX<sub>2</sub>**

**EVOX<sub>2</sub>**

|                                                     |    |
|-----------------------------------------------------|----|
| Introduction .....                                  | 3  |
| Package contents .....                              | 3  |
| Safety instructions .....                           | 4  |
| Technologies                                        |    |
| DTM® .....                                          | 5  |
| Ultra Compact PCB.....                              | 5  |
| Low Battery consumption.....                        | 5  |
| Assembling and Disassembling the plastic cover..... | 6  |
| Panels description                                  |    |
| Audio inputs and controls.....                      | 7  |
| Power inputs and audio outputs.....                 | 8  |
| Electrical Dimensioning.....                        | 9  |
| Audio inputs                                        |    |
| RCA inputs.....                                     | 9  |
| High inputs.....                                    | 9  |
| Installation sequence.....                          | 10 |
| Wiring diagram                                      |    |
| Two channels wiring diagram.....                    | 11 |
| One channel wiring diagram.....                     | 11 |
| Procedure for setting the gain.....                 | 12 |
| Crossovers set up.....                              | 13 |
| Technical specifications                            |    |
| Parameters.....                                     | 14 |
| Dimensional data.....                               | 14 |

**DEAR CUSTOMER,****CONGRATULATIONS ON ACQUIRING A PRODUCT WITH THE HIGHEST QUALITY AND TECHNOLOGY!**

You have just purchased a **SoundDigital** product of the highest technology and quality, so we thank you for your confidence.

**SoundDigital** products are made with raw materials of the highest quality standards, and the most modern processes, equipment and technology are used in their production.

On this manual you will learn about the product, its features and characteristics, in order to obtain the best result and to be able to enjoy your music with **SoundDigital** quality and power.

To better understand and take advantage of all the functions of the product and use it safely, read this manual carefully and if you have any questions, consult our support by email [info@sounddigitalusa.com](mailto:info@sounddigitalusa.com).

**PACKAGE CONTENTS**

01 1200.2 EVOX2 Amplifier

01 Installation quick guide with warranty card

01 Allen wrench 2.0mm

01 Allen wrench 2.5mm

01 Allen wrench 3.0mm

01 Cables for high level input

01 Promotional sticker

To prevent injuries to the user or damage to the amplifier, read all safety instructions written on this manual;

If you are insecure about the installation of this equipment, get in touch with our tech support or with a professional specialized in car audio installation;

Before proceeding with the installation of any electric equipment on your vehicle, unplug the negative (-) terminal of the battery to avoid fires, injuries or damages;

Use your sound system safely. The continuous exposure to sound pressures over 85dB may cause irreversible hearing damage;

This equipment is for use in automotive DC voltage batteries between 12.6 and 14.4 volts. Before installing the equipment, check voltage of the batteries;

Do not install the amplifier in places exposed to water, dirt or humidity;

Choose a ventilated place to install the amplifier and avoid blocking the side ventilation windows;

Mount the amplifier in a secure way. Avoid mounting it on metallic parts of the vehicle, because it may cause ground looping (noise);

Make sure that the location chosen for the amplifier installation does not effect the operation of the vehicle;

When passing cables through metallic walls, use rubber O-rings to avoid cable cutting and short-circuits.

Clean the amplifier periodically with brush or dry cloth to assure the thermal efficiency of the heatsink.

This product may reach temperatures over 60°C/140°F. Make sure it is cold before touching it;

Be careful when making holes in the vehicle. Make sure you are not making holes in the fuel tank, brake lines or electrical cables of the vehicle

Make sure the cables are properly secured throughout the installation;

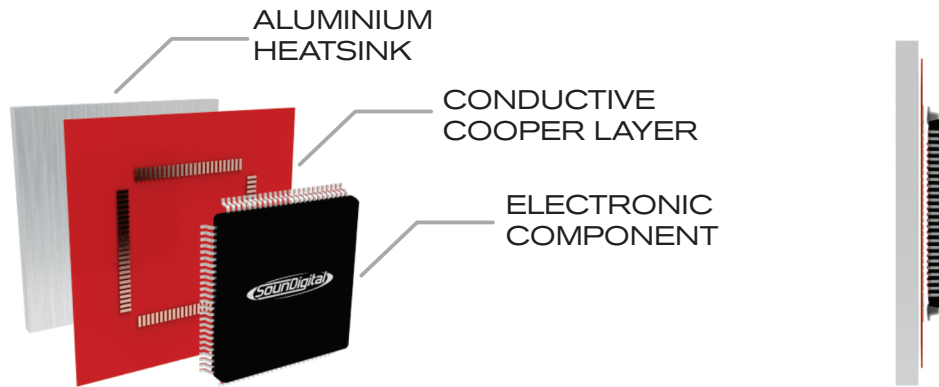
Wear gloves, safety glasses and and all necessary PPE during the installation of SounDigital amplifiers.



### Warning!

THIS "WARNING" SIGN ALERTS THE USER OF IMPORTANT INFO. NOT FOLLOWING THIS INSTRUCTIONS MAY CAUSE INJURIES TO THE USER OR DAMAGE TO THE EQUIPMENT.

## DYNAMIC THERMAL MANAGEMENT - DTM®

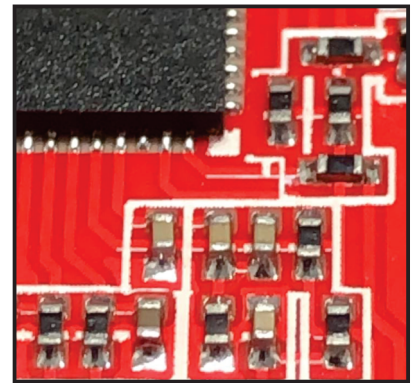


The **DTM\*** is a dynamic thermal recovery system which always maintains a high efficiency of the amplifier by accelerating the thermal exchange of electronic components with the heatsink.

*\* Patent. Required*

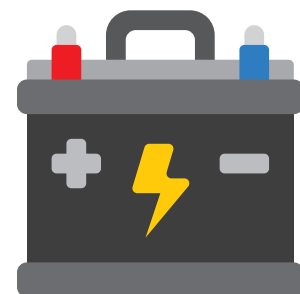
## ULTRA COMPACT PCB

An intelligent layout, with great use of the PCB area and the use of modern components with reduced structure guarantee **SoundDigital** products a compact design, at the same time robust and with excellent thermal efficiency.



## I - POWER SUPPLY

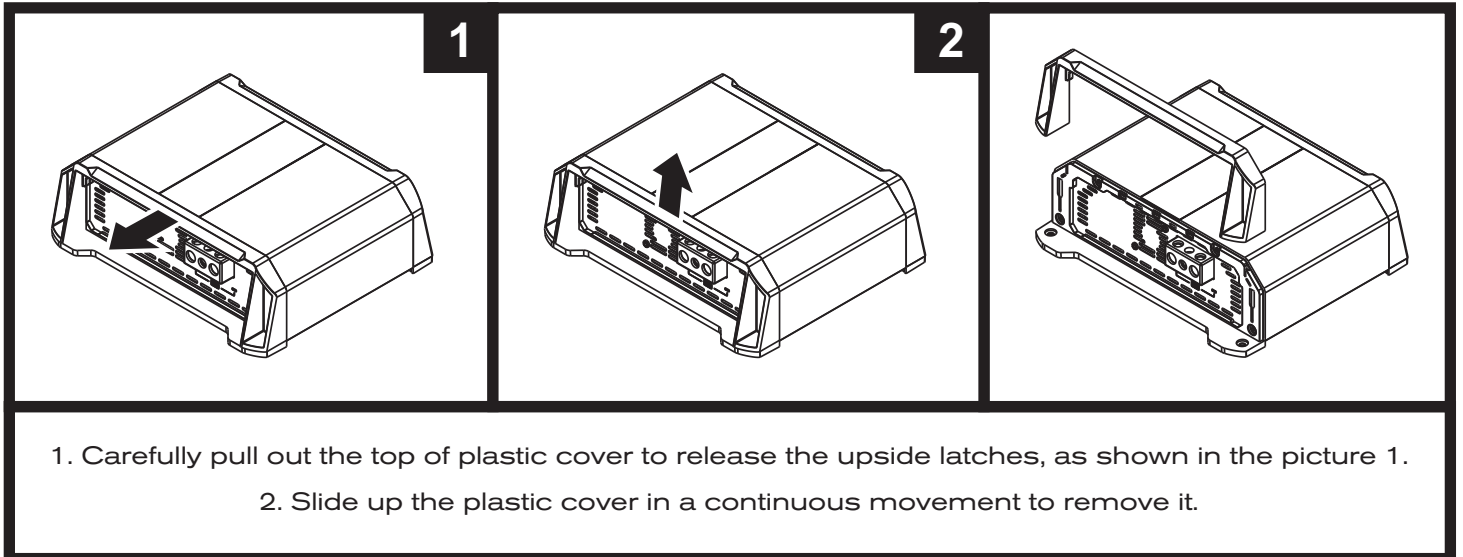
SoundDigital amplifiers are known for their low consumption of battery, and this feature was improved on the **EVOX2 Line**. The new **I-POWER SUPPLY** is even more modern, which replaces the old toroidal transformers by a new generation of "E-E" core transformers delivers efficiency above 90%\*, ensuring more hours of sound without battery recharge.



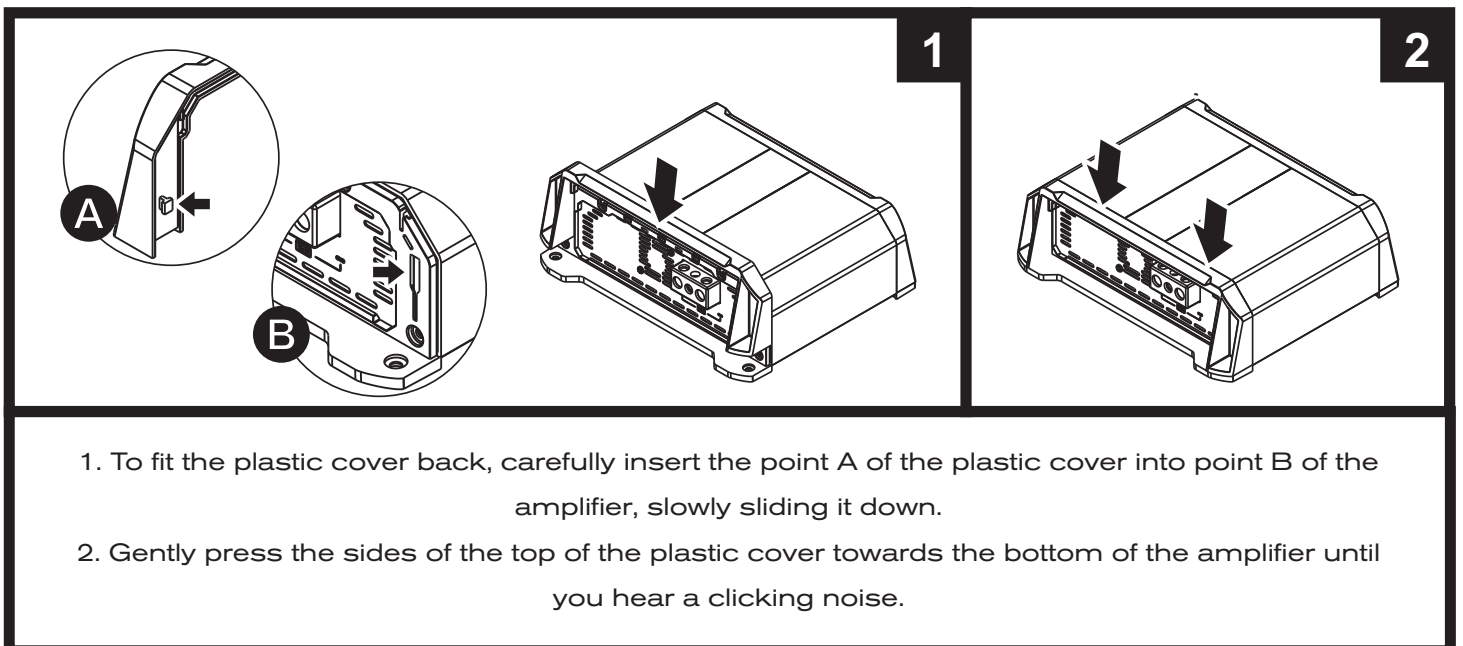
\*Efficiency measured at power supply only

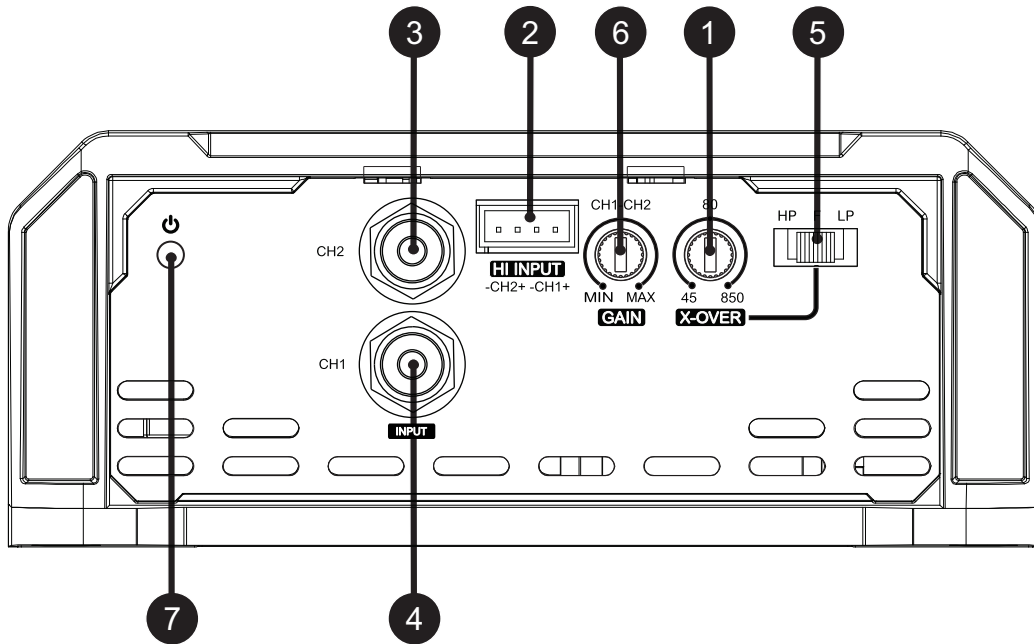
The plastic covers have the function of finishing and hiding the amplifier fixing screws. To disassembling and assembling them, follow the instructions below.

### DISASSEMBLING OF THE PLASTIC COVER

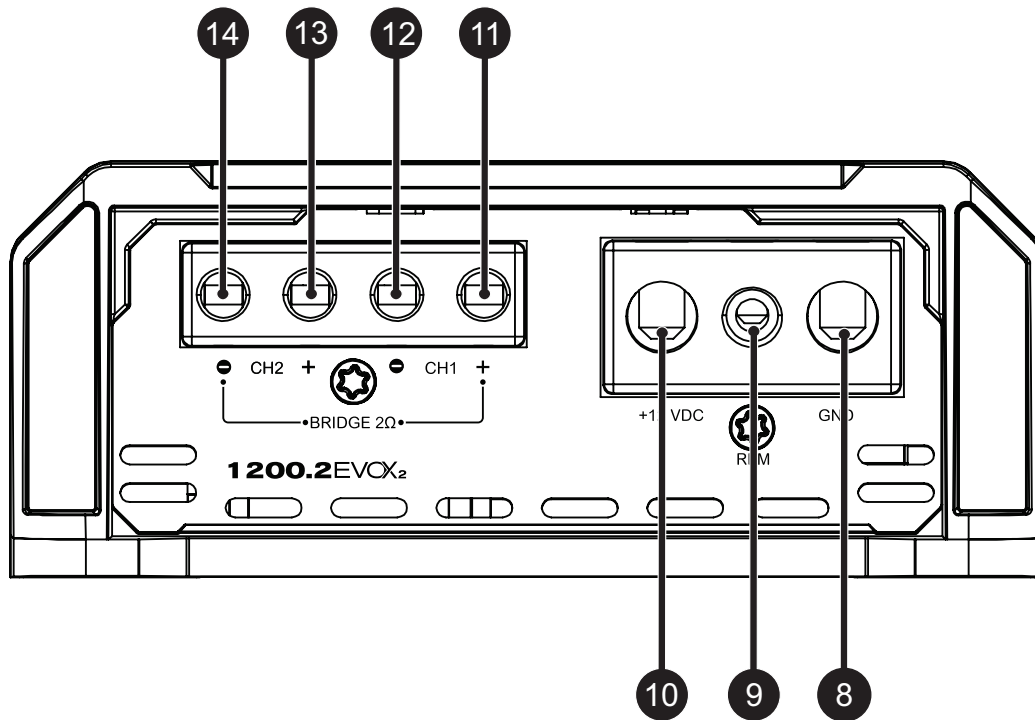


### ASSEMBLING THE PLASTIC COVER





|   |         |                                                                              |
|---|---------|------------------------------------------------------------------------------|
| 1 | CH1/CH2 | Variable crossover control - 45Hz to 850Hz                                   |
| 2 | CH1/CH2 | High Level audio input<br>(To connect to the speaker output of the headunit) |
| 3 | CH1/CH2 | Audio input - RCA connectors                                                 |
| 4 | CH1/CH2 | Audio input - RCA connectors                                                 |
| 5 | CH1/CH2 | Crossover Switch<br>Low Pass - Full - High Pass                              |
| 6 | CH1/CH2 | Variable Gain Control                                                        |
| 7 | -       | "Power ON" LED indicator (Blue)                                              |



|    |     |                                          |
|----|-----|------------------------------------------|
| 8  | -   | Negative power supply connector (GND)    |
| 9  | -   | Remote power supply connector (REM)      |
| 10 | -   | Positive power supply connector (+12VDC) |
| 11 | CH1 | Positive speaker connector               |
| 12 |     | Negative speaker connector               |
| 13 | CH2 | Positive speaker connector               |
| 14 |     | Negative speaker connector               |



## ELECTRICAL DIMENSIONING

For proper operation of your SounDigital amplifier, you need the proper dimensioning of the electrical system and the cables used.

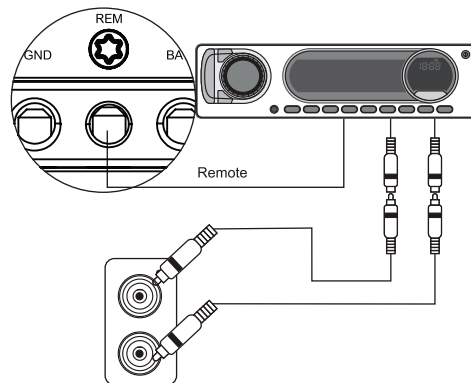
The table below shows the minimum section of GND cables, +12VDC cables and speaker output cables according to the power generated by the amplifier.

|              |               |                                 |
|--------------|---------------|---------------------------------|
| 1200<br>WRMS | POWER CABLE   | 16mm <sup>2</sup> - 5 AWG       |
|              | GROUND CABLE  |                                 |
|              | SPEAKER CABLE | 2 x 2,5mm <sup>2</sup> - 13 AWG |

We recommend the use of ONLY OFC (Oxygen Free Copper) Cables on the installation of our products.

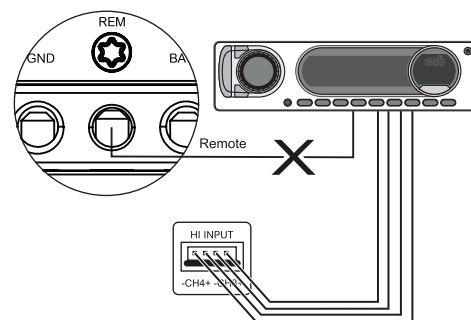
## AUDIO INPUTS

### RCA Inputs



All RCA Inputs must be connected for the 2 channels work, including the Bridge Connection

### High signal inputs



All High Signal Inputs must be connected for the 2 channels work, including the Bridge Connection

High input must be used when the main unit does not have RCA outputs.

When hi inputs is used, no remote connection is required, the amplifier recognizes the audio signal and switches on.

If your source unit is not able to turn on the amplifier through the high level input, the remote input should be connected normally.



**RCA AND HIGH INPUTS SHOULD NOT BE USED SIMULTANEOUSLY OR YOU MAY DAMAGE THE AMPLIFIER.**

**Warning!**

**Warning!**

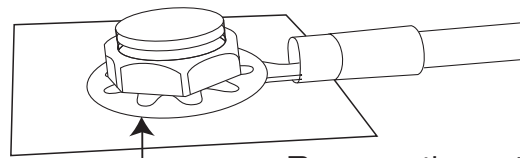
BEFORE PROCEEDING WITH THE INSTALLATION, UNPLUG THE NEGATIVE TERMINAL FROM ALL OF THE BATTERIES, TO AVOID FIRE, DAMAGE TO THE AMPLIFIER AND THE USER HIMSELF.

- Mount the amplifier in such a way you have access to the connectors;
- Install the power cables in the vehicle properly, starting from the battery to the fuse holder or circuit breaker, use the cable with the appropriate size. Make all connections, install fuse holders or circuit breakers, but without placing the fuses or with the circuit breakers in the "Off" position.

**Warning!**

THE MAX. DISTANCE FOR THE INSTALLATION OF THE FUSE/CIRCUIT BREAKER IS ONE FOOT (30 CM) AWAY FROM THE BATTERY.

- Connect the power cables in to the amplifier, observing the polarity. Connect all the positive cables from the fuse holder or circuit breaker to the positive connector of the amplifier and all the negative power cables from the batteries to the negative connector of the amplifier;
- The ground cable must be as short as possible and must be connected to the vehicle chassis and the battery negative;

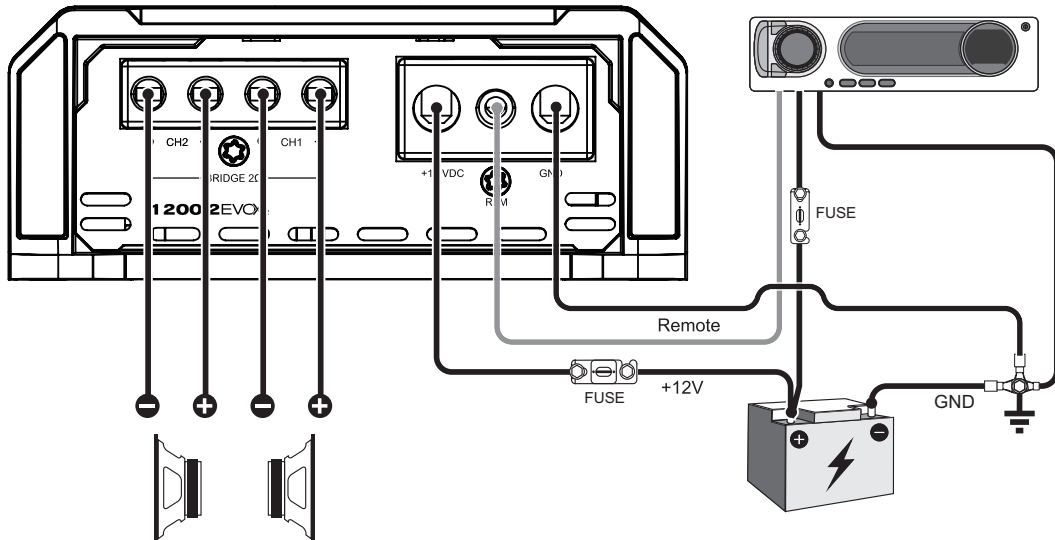


Remove the paint between the terminal and chassis

- Install the signal input cables in a proper way, distant from the power cables;
- Connect the RCA or the high signal input cables to the head unit and amplifiers;
- Install the audio output cables with the appropriate section, distant from the power and audio input cables;
- Connect the audio output cables to the amplifier and speakers respecting the positive (+) and negative (-) polarities;
- Install the remote cable with the power cables, using 1.5mm<sup>2</sup> (15 AWG) cable or thicker;
- Connect the remote power cable to the amplifier's "REM" terminal at the main unit's remote power output (when not using the high level signal inputs);
- Before powering the system, verify all the connections and make sure there are no mistakes or short-circuits on the power and ground cables;
- Reconnect the ground of the batteries;
- Check if the headunit is turned off and then place the fuses in the fuse holders or switch the circuit breakers on;
- Turn on the main unit and the amplifier will turn on the "On" LED indicating that it is in operation.

## 2 CHANNELS WIRING DIAGRAM

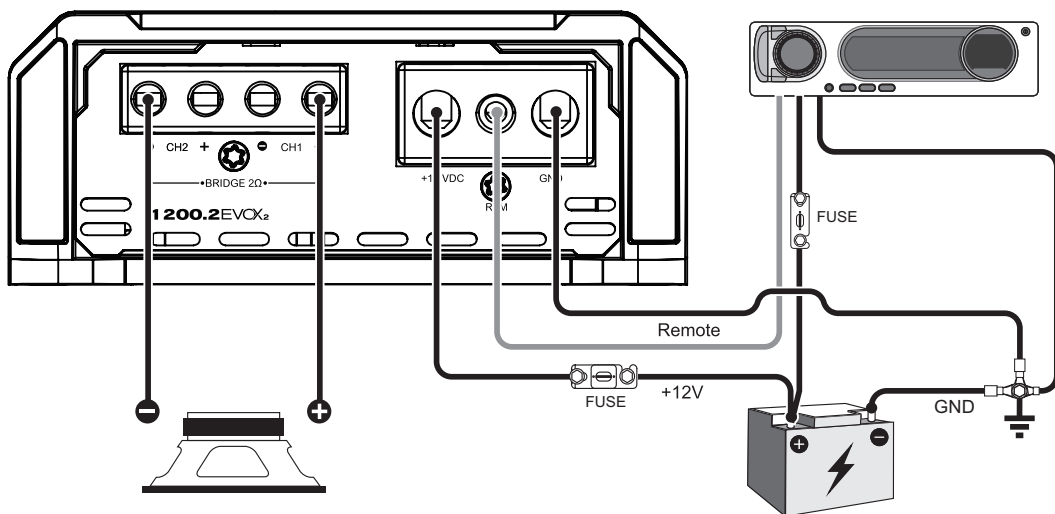
See "Audio Inputs"  
on page 9



\* Check the minimum speaker impedance at specs table

## 1 CHANNEL WIRING DIAGRAM

See "Audio Inputs"  
on page 9



\* Check the minimum speaker impedance at specs table

## GAIN SETTING

Necessary equipment:

- Digital AC voltmeter;
- Media with sine wave test tone 60Hz recorded at 0db;
- Screwdriver 1/8" (for gain set)

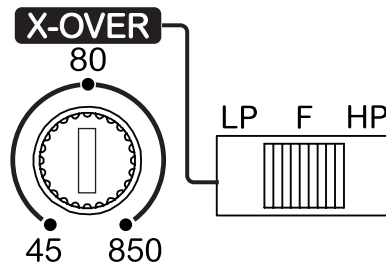
### Set up procedure

- This procedure is the same for both gain controls;
- Turn the gain control all the way down.
- Disconnect the output cables from the amplifier outputs;
- Turn off all processing (bass, treble, loudness, EQ, etc.);
- Set the source unit volume to 3/4 of full volume.

- Set the source unit's fader control to center position;
- Set the crossover selector switch in "F"
- Use a 60 Hz sine wave
- Connect the AC voltmeter to the speaker output connectors of the amplifier. Make sure you test the voltage at the correct connectors (+ and -);
- Increase the gain control until the target voltage is observed with the voltmeter (see the chart below);
- Once you have adjusted the amplifier to its correct voltage output, turn off the source unit and reconnect the speaker(s)

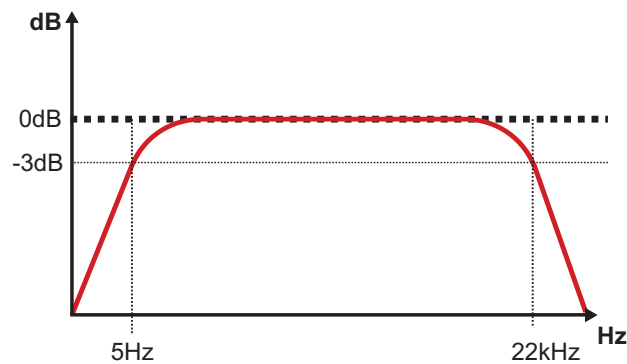
*Download the tracks for set up in <https://soundigitalusa.com/tracks-for-set-up/>*

| MODEL                            | STEREO / POWER | BRIDGE / POWER | STEREO OUTPUT VOLTAGE | BRIDGE OUTPUT VOLTAGE |
|----------------------------------|----------------|----------------|-----------------------|-----------------------|
| <b>1200.2EVO<sub>x2</sub> 2Ω</b> | 1Ω/ 2 x 600W   | 2Ω/ 1 x 1200W  | 24.5 V                | 49.0 V                |
| <b>1200.2EVO<sub>x2</sub> 4Ω</b> | 2Ω/ 2 x 600W   | 4Ω/ 1 x 1200W  | 34.6 V                | 69.3 V                |

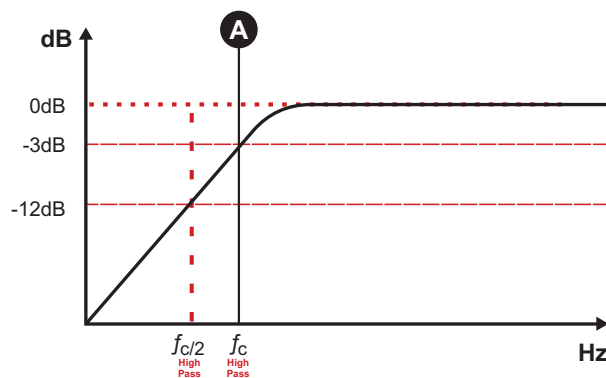


- "F" All the frequencies are reproduced;
- "LP " Set in the variable control on Low Pass Function;
- "HP " Set in the variable control on High Pass Function.

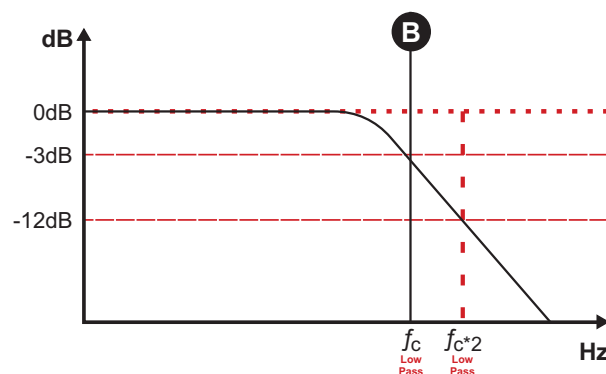
➤ Change the switch to "F" position (Full Range): All the frequencies are reproduced.



➤ Change the switch to "HP" position - Set in the variable control between 45Hz and 850Hz ("A") where you want to perform the high pass cut filter.



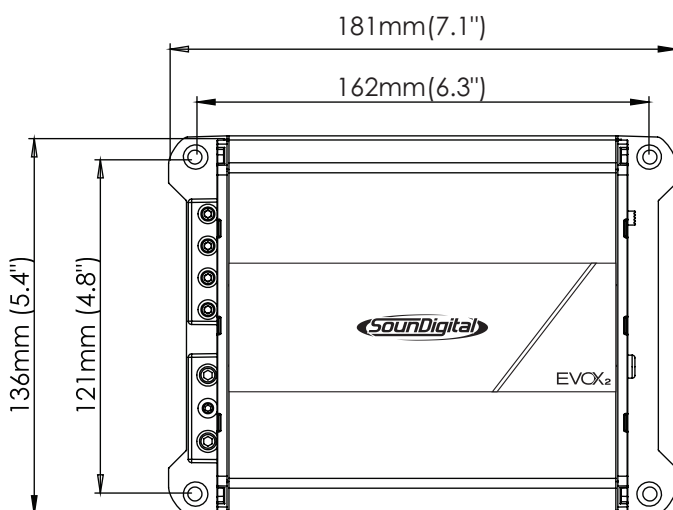
➤ Change the switch to "LP" position - Set in the variable control between 45Hz and 850Hz ("B") where you want to perform the low pass cut filter.



| PARAMETERS                  | 1200.2 EVOX <sub>2</sub> 2Ω | 1200.2 EVOX <sub>2</sub> 4Ω |
|-----------------------------|-----------------------------|-----------------------------|
| RMS Power Bridge @ 4Ω*      | 1 x 792W                    | 1 x 1200W                   |
| RMS Power Bridge @ 2Ω*      | 1 x 1200W                   | N/A                         |
| RMS Power @ 4Ω*             | 2 x 261W                    | 2 x 396W                    |
| RMS Power @ 2Ω*             | 2 x 396W                    | 2 x 600W                    |
| RMS Power @ 1Ω*             | 2 x 600W                    | N/A                         |
| Frequency Response (-3dB)   | 5Hz ~ 22kHz                 | 5Hz ~ 22kHz                 |
| Low Pass filter (12dB/oct)  | 45Hz ~ 850Hz                | 45Hz ~ 850Hz                |
| High Pass filter (12dB/oct) | 45Hz ~ 850Hz                | 45Hz ~ 850Hz                |
| Operating Voltage           | 8V ~ 16V                    | 8V ~ 16V                    |
| SNR                         | 88dB                        | 90dB                        |
| Input Sensitivity           | 0.2 ~ 4V                    | 0.2 ~ 4V                    |
| Current Draw (Music)        | 50,5A                       | 48A                         |
| Current Draw (Max)          | 101A                        | 96A                         |
| Total Efficiency            | 83%                         | 87%                         |
| Damping Factor              | 200                         | 200                         |
| Stereo Minimum Impedance    | 1Ω                          | 2Ω                          |
| Bridge Minimum Impedance    | 2Ω                          | 4Ω                          |
| Fuse (music)                | 60A                         | 60A                         |
| Minimum Recommended Battery | 70Ah                        | 70Ah                        |

\*Power at 14.4V @ 60Hz with a maximum THD of 1%.

## DIMENSIONAL DATA



Net Weight: 2.66 lb (1.21 kg)  
Gross Weight: 3.02 lb (1.37 kg)



YOUR MUSIC. **YOUR POWER.**

CÓD.: 1000750314-001/ABR2022



Consumer  
Technology  
Association™



[WWW.SOUNDIGITALUSA.COM](http://WWW.SOUNDIGITALUSA.COM)



[SOUNDIGITALUSA](https://www.facebook.com/SOUNDIGITALUSA)



[SOUNDIGITALUSA](https://www.instagram.com/SOUNDIGITALUSA)