

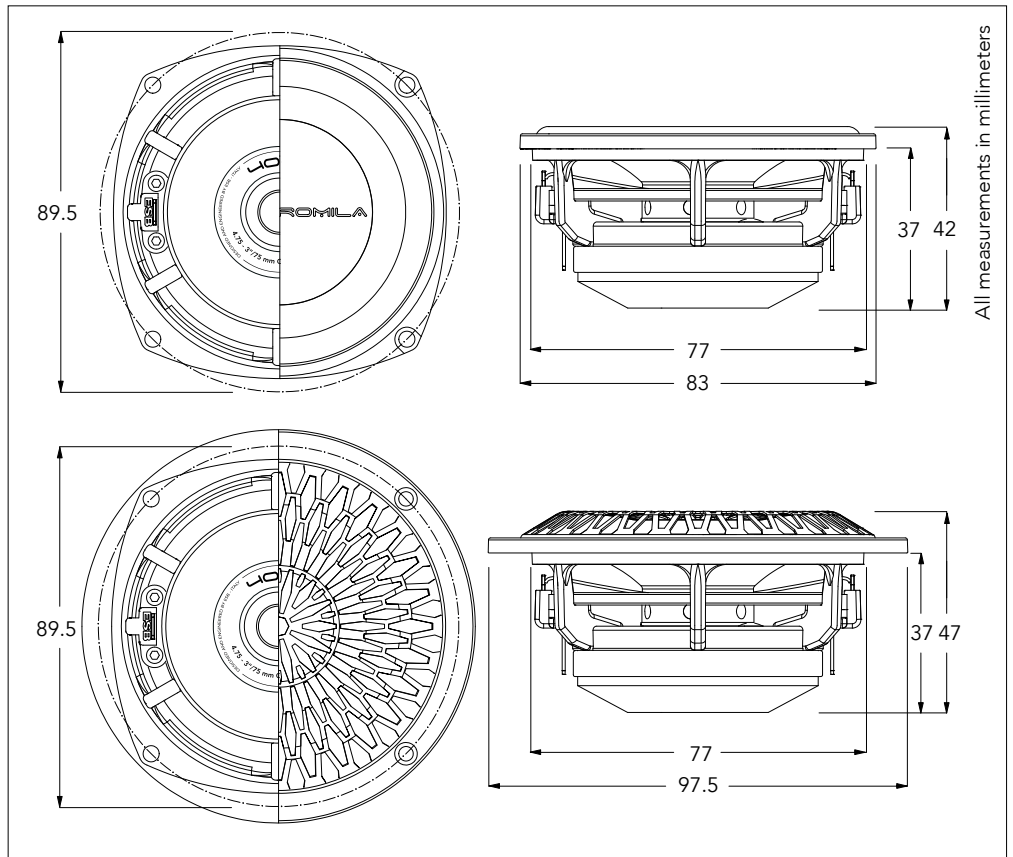
Speaker Type: Component Midrange
 Nominal Diameter: 3.5"/75 mm
 Nominal Impedance (Znom): 4 Ohms
 Continuous Power Handling: 100 W
 Peak Power Handling: 200 W
 Rec. Amplifier Power: 40 - 150W (RMS)

PARAMETERS

Voice Coil Resistance (Re): 3.78 Ohms
 Voice Coil Diameter: 25.5 mm
 Free Air Resonance (Fs): 78.5 Hz
 Reference Efficiency (no): 0.35 %
 Sensitivity: 87.6 dB @ 1W/1m
 90.6 dB @ 2.83V/1m
 Electrical "Q" (Qes): 0.299
 Mechanical "Q" (Qms): 2.397
 Total Speaker "Q" (Qts): 0.266
 Equivalent Compliance (Vas): 2.22 lt
 Moving Mass (Mms): 3.87 g
 Mech. Compliance (Cms): 0.106 mm/N
 Magnetic Strength (BL): 9.417 N/A
 Effective Piston Area (Sd): 38.48 sq. cm
 One-Way Linear Excursion (Xmax): 2.6 mm

DESIGN BANDWIDTH

With 48 dB/oct. HP filters: 140 Hz - 10 KHz
 With 24 dB/oct. HP filters: 180 Hz - 10 KHz
 With 12 dB/oct. HP filters: 220 Hz - 10 KHz



All measurements in millimeters

