

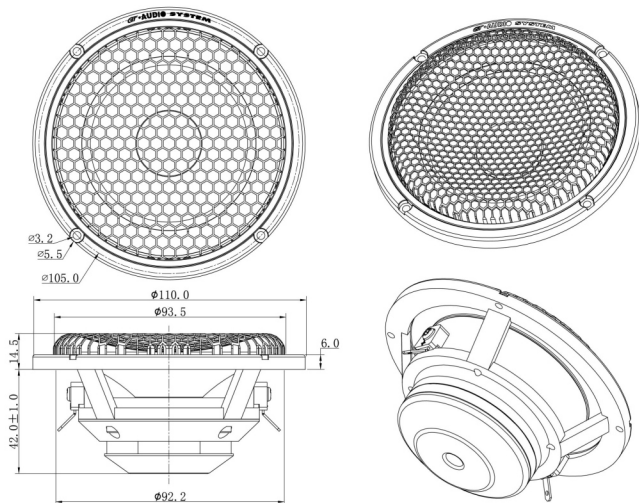


Specification

| | | |
|-----------------------------|--------------------------------|----------------|
| Speaker Size | 4.3 inch | |
| Impedance | Z | 4Ω |
| DC resistance | Re | 3.6Ω |
| Voice coil dimension | ∅ | 25.5mm |
| Voice coil inductance | Le | 0.09 mH |
| Voice coil former/VCF | Kapton CCAW | |
| Membrane material | Carbon fiber loaded with resin | |
| Magnet system | Ms | Neodymium |
| Net weight | Lb | 0.36kg |
| Transducer's suspension Qms | Qms | 6.08 |
| Transducer's suspension Qts | Qts | 0.65 |
| Motor strength | Bl | 3.76 |
| Centering device | Cd | Konex |
| Suspension cone | Sc | 50sh rubber |
| Resonance frequency | Fs | 97 Hz |
| Frequency response | Fr | 100 Hz- 12 kHz |
| Efficiency 1 W /1 m | SPL | 86 dB |
| Power rating/Hi-pass 1500Hz | RMS max. | 70W |

Dimensions

All dimensions noted in mm



Recommended Frequency Cut:

high pass up to 10k Hz low pass from 100Hz

The cuts and slopes refer to these data according to the applied power and the position of the speaker, so we can not set a reliable standard.

| | | |
|--------------------------|------|--------------------|
| Radiation mass load | Mms | 4.74g |
| Force exerted suspension | Cms | 568 μ mN |
| Volume air compressed | Vas | 2.04 Ltr |
| Surface area cone | Sd | 50 cm ² |
| Maximum Linear Excursion | Xmax | 3 mm |