

**MA32A tweeter technical parameters :**

Dome material: Tetonon

Voice coil size: 32mm

DC impedance: 6.8 Ω

Continuous power: 20 W

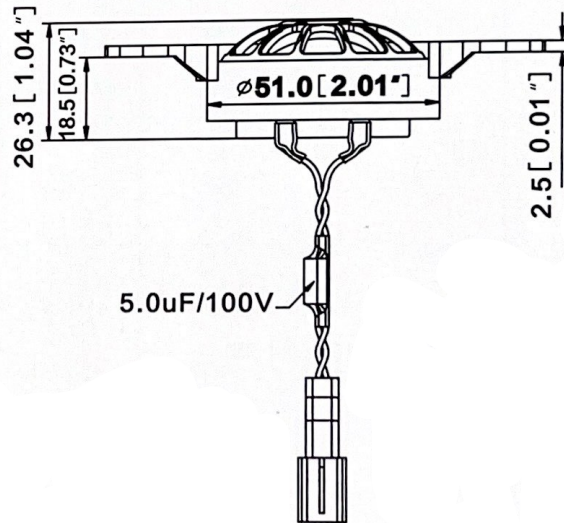
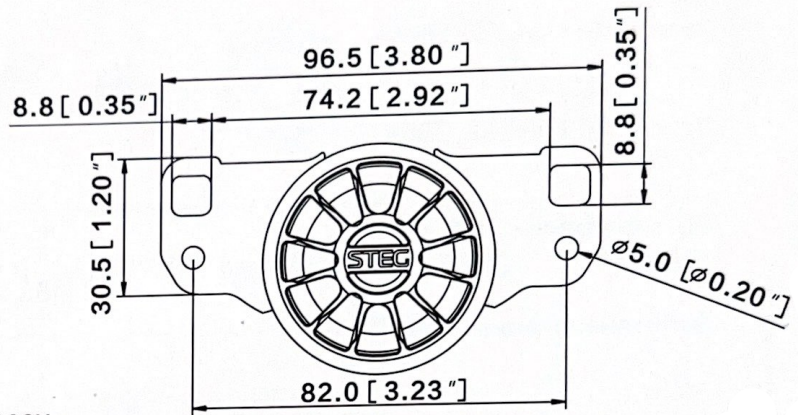
Frequency response: 1300-22000Hz

Sensitivity: 90 dB

Weight: 0.12 kg

Installation depth: 22 mm

Installaton diameter: 96.5 mm



**MA32Q tweeter technical parameters:**

Dome material: Tetonon

Voice coil size: 32mm

DC impedance: 6.8 Ω

Continuous power: 20W

Frequency response: 1300-22000Hz

Sensitivity: 90dB

Weight: 0.125 kg

Installation depth: 20 mm

Installaton diameter: 110 mm

