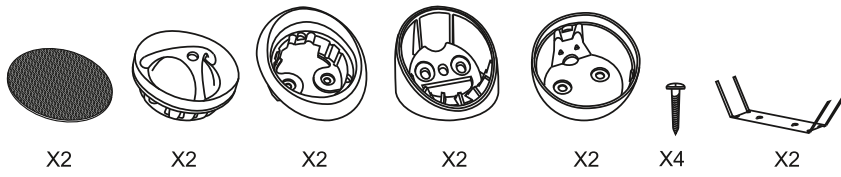


maximoultra MkII
Car Audio Component Speaker System

603 6.5" 3 Way

content

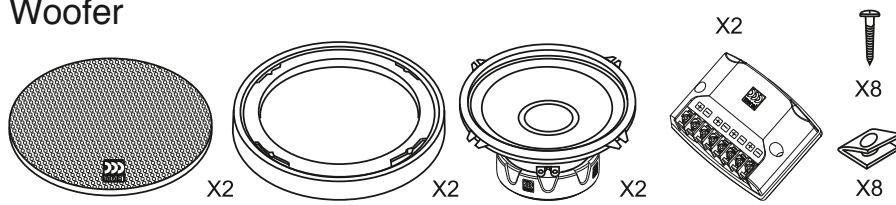
Tweeter



Mid range

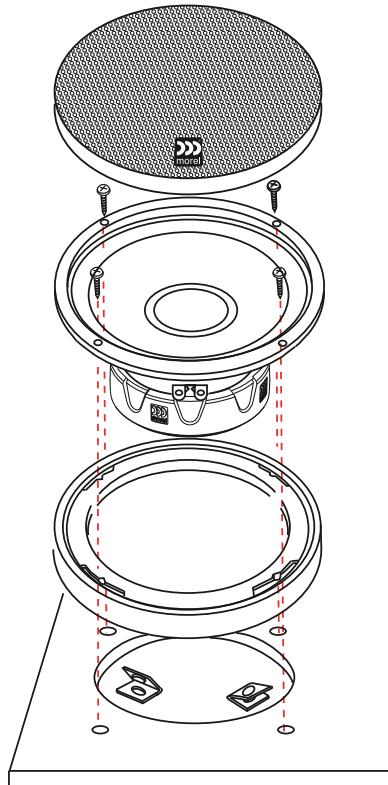


Woofer

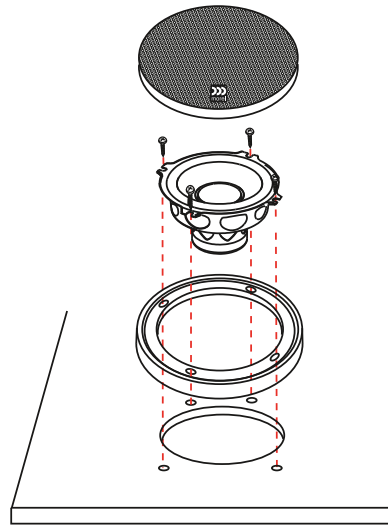


Woofer and Mid mounting

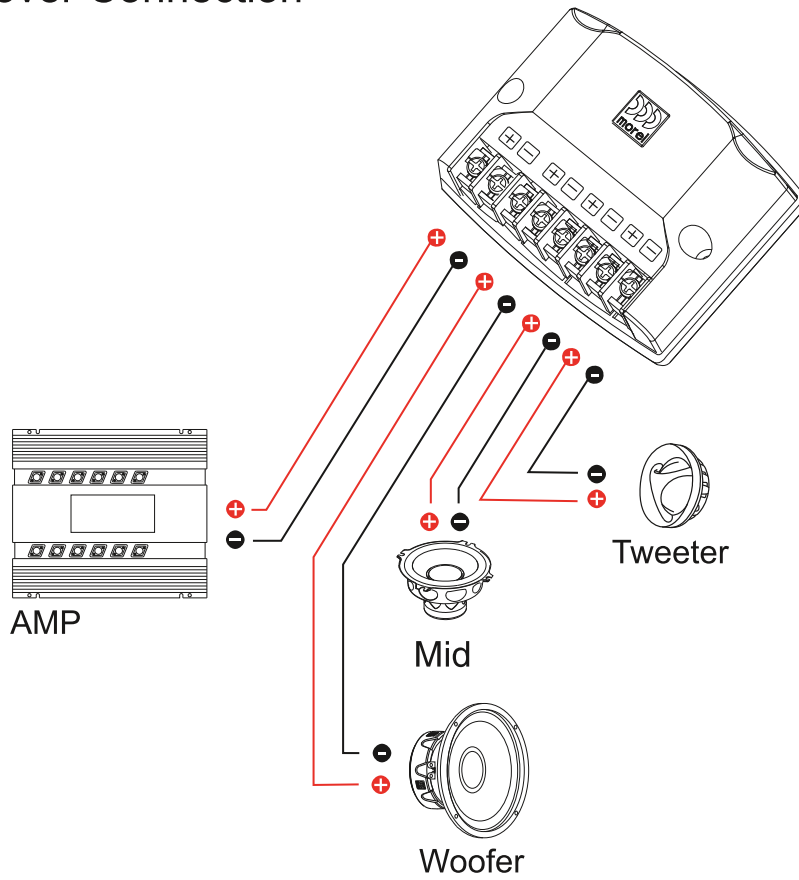
6.5"



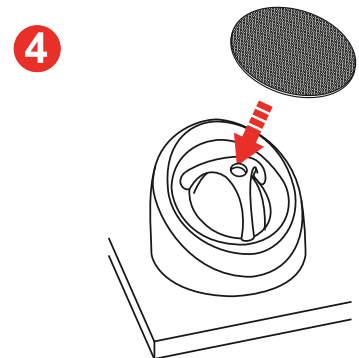
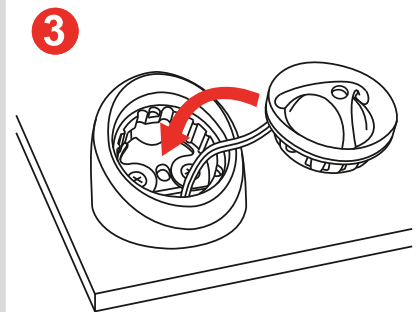
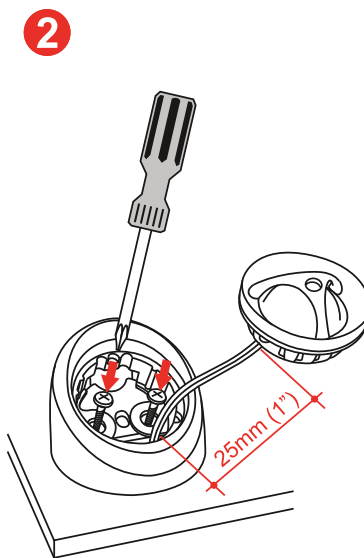
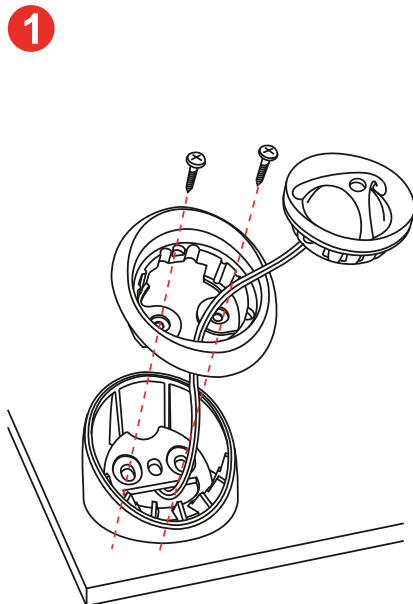
2.5"



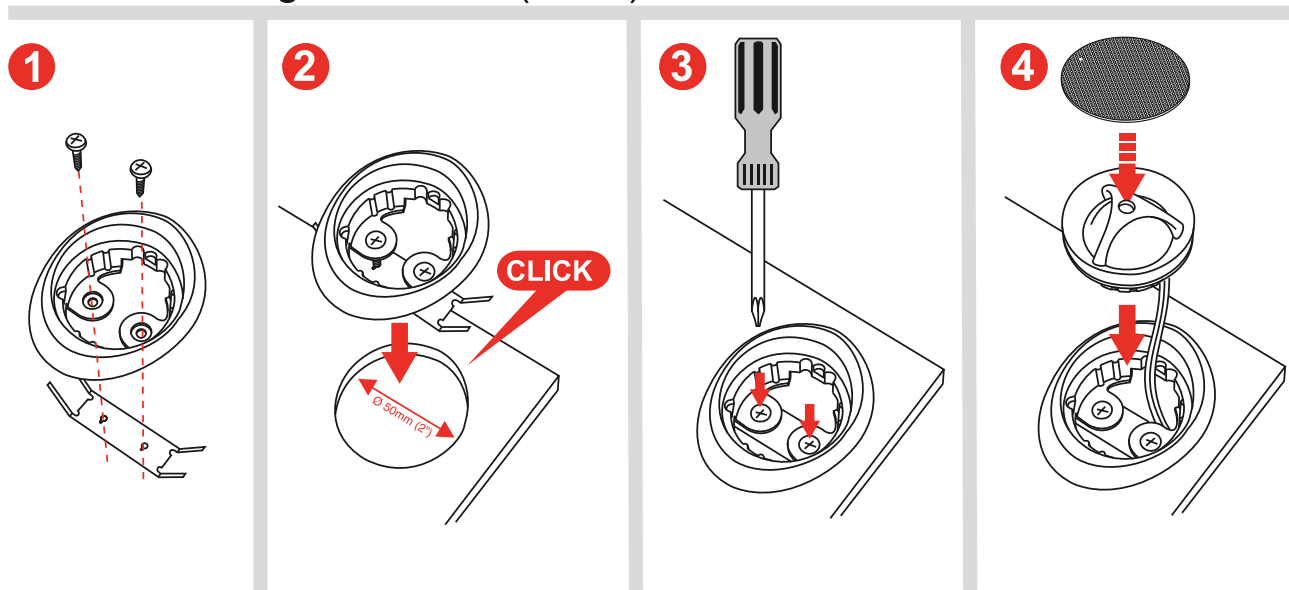
Crossover Connection



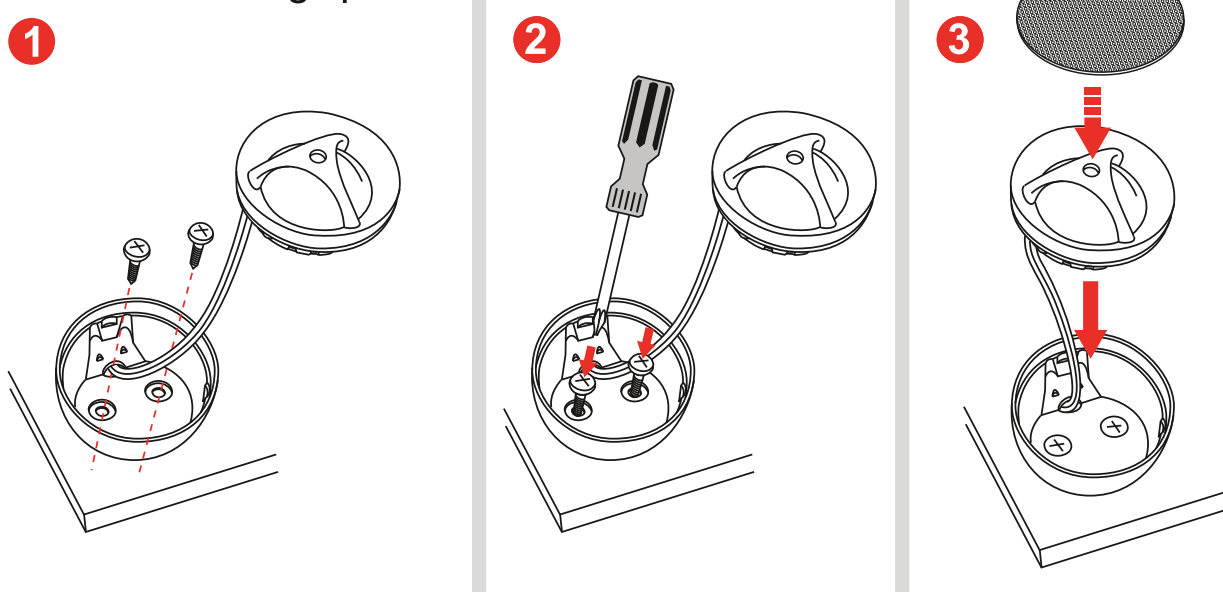
Surface mounting



Flush mounting for 50 mm (1.96") cutout



Surface mounting option 2



Specifications

| | | Maximo Ultra 603 |
|-------------------------------|---------------------|----------------------------------------|
| Nominal Impedance | | 4 ohm |
| Power Handling | | 100W |
| Max. Transient Power Handling | | 180W |
| Sensitivity (2.83V/1M) | | 90.5dB |
| Frequency Response | | 50-20,000 Hz |
| Voice Coil Diameter | Woofer: Tweeter: | 25mm(1") 25mm(1") Mld: 20mm(0.8") |
| Voice Coil Wire | | Copper |
| Magnet System | Woofer: Tweeter: | High grade ferrite magnet Neodymium |
| Mounting Depth | | 63mm (2.5") |