

Tempo Ultra
INTEGRA

402 / 502 / 602 / 572 / 692

Installation Instructions

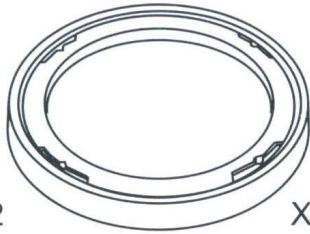


www.morelhifi.com

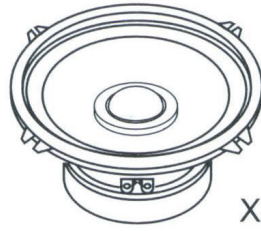
Content - 4" / 5¹/₄" / 6¹/₂"



X2



X2



X2

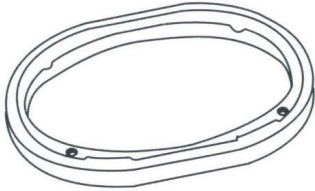


X8

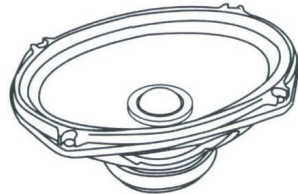


X8

Content - 6x9" / 5x7"



X2*



X2



X2*



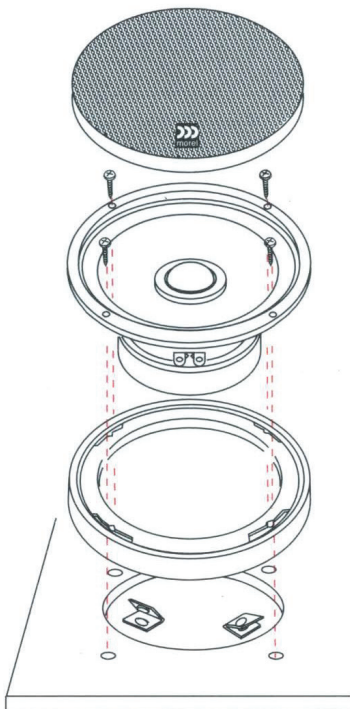
X8



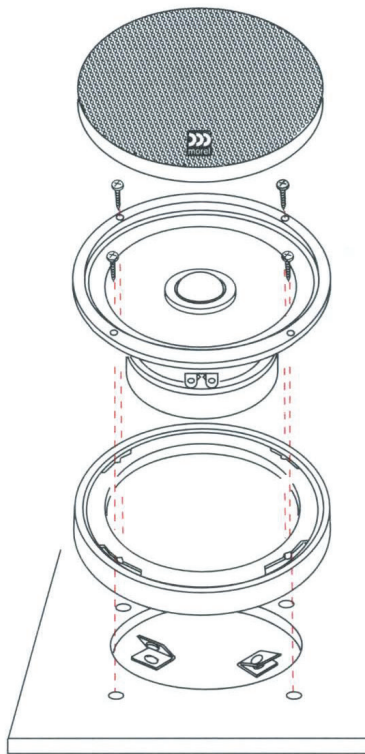
X8

Woofer Mounting

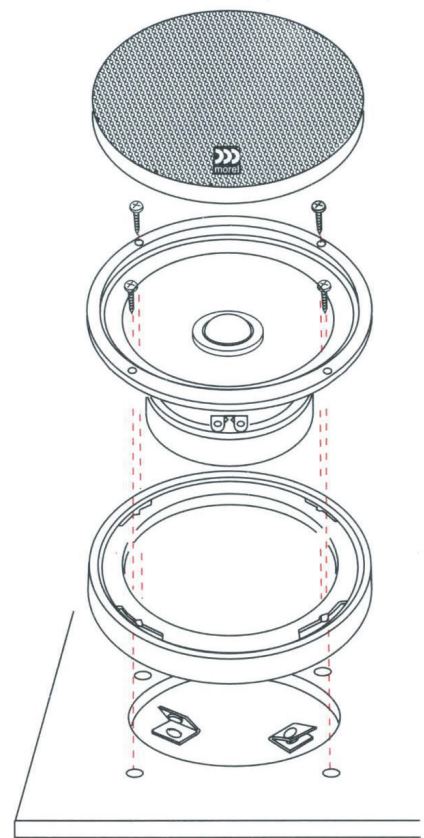
4"



5¹/₄"



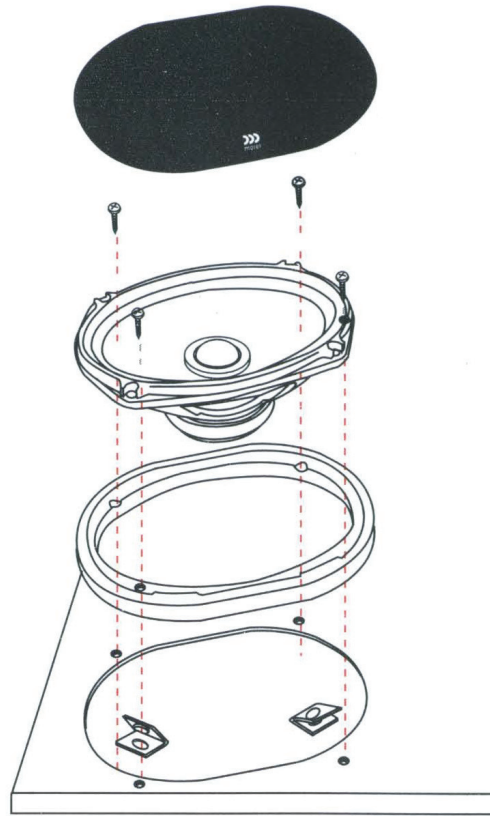
6¹/₂"



*Grills purchased separately

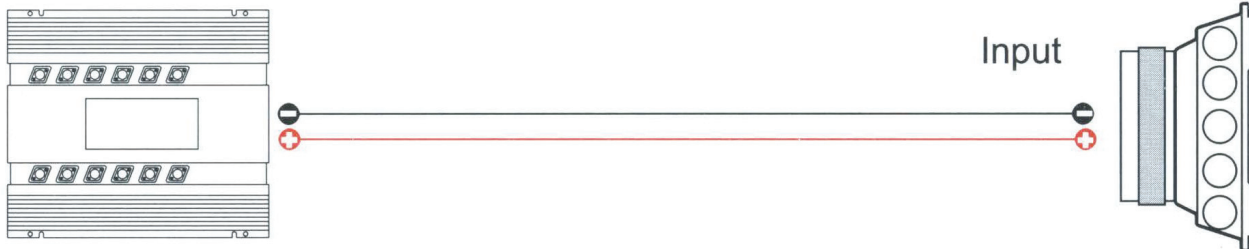
Woofer Mounting

6x9" / 5x7"



Connection Diagram

Amplifire/Head unit



Specifications

Tempo Integra		402	502	602
Nominal Impedance		4 ohm	4 ohm	4 ohm
Power Handling		60W	100W	110W
Max. Transient Power Handling		140W	220W	220W
Sensitivity (2.83V/1M)		85dB	89dB	90dB
Frequency Response		80-22000Hz	55-22000Hz	50-22000Hz
Voice Coil Diameter	Woofers:	32 mm (1.30")	38 mm (1.50")	38 mm (1.50")
	Tweeters:	19 mm (1.00")	25 mm (1.00")	25 mm (1.00")
Voice Coil Wire	Woofers:	Copper	Copper	Copper
	Tweeters:	Copper	Copper	Copper
Magnet System	Woofers:	high-grade ferrite	high-grade ferrite	high-grade ferrite
	Tweeters:	Neodymium	Neodymium	Neodymium
Mounting Depth		57 mm (2.25")	57 mm (2.25")	64 mm (2.52")

Tempo Integra		572	692
Nominal Impedance		4 ohm	4 ohm
Power Handling		100W	140W
Max. Transient Power Handling		220W	250W
Sensitivity (2.83V/1M)		90dB	92dB
Frequency Response		60-22000Hz	35-22000Hz
Voice Coil Diameter	Woofers:	38 mm (1.50")	38 mm (1.50")
	Tweeters:	25 mm (1.00")	25 mm (1.00")
Voice Coil Wire	Woofers:	Copper	Copper
	Tweeters:	Copper	Copper
Magnet System	Woofers:	high-grade ferrite	high-grade ferrite
	Tweeters:	Neodymium	Neodymium
Mounting Depth		62 mm (2.45")	85 mm (3.35")

