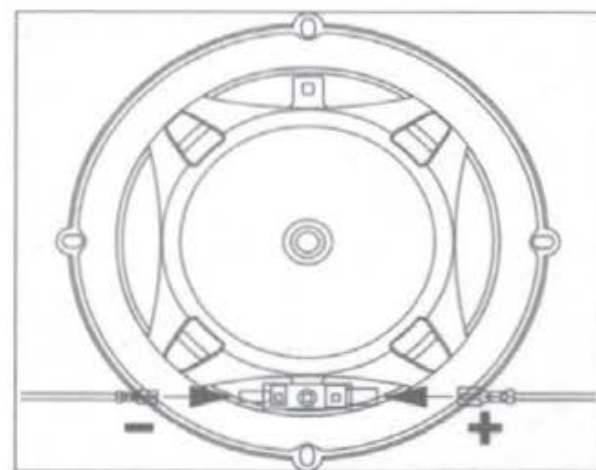
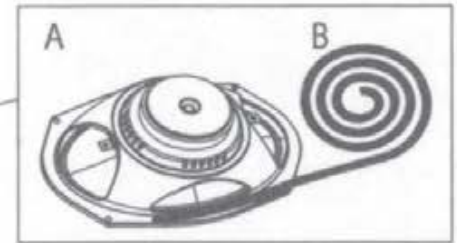
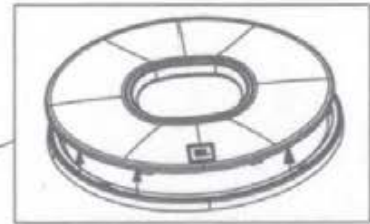
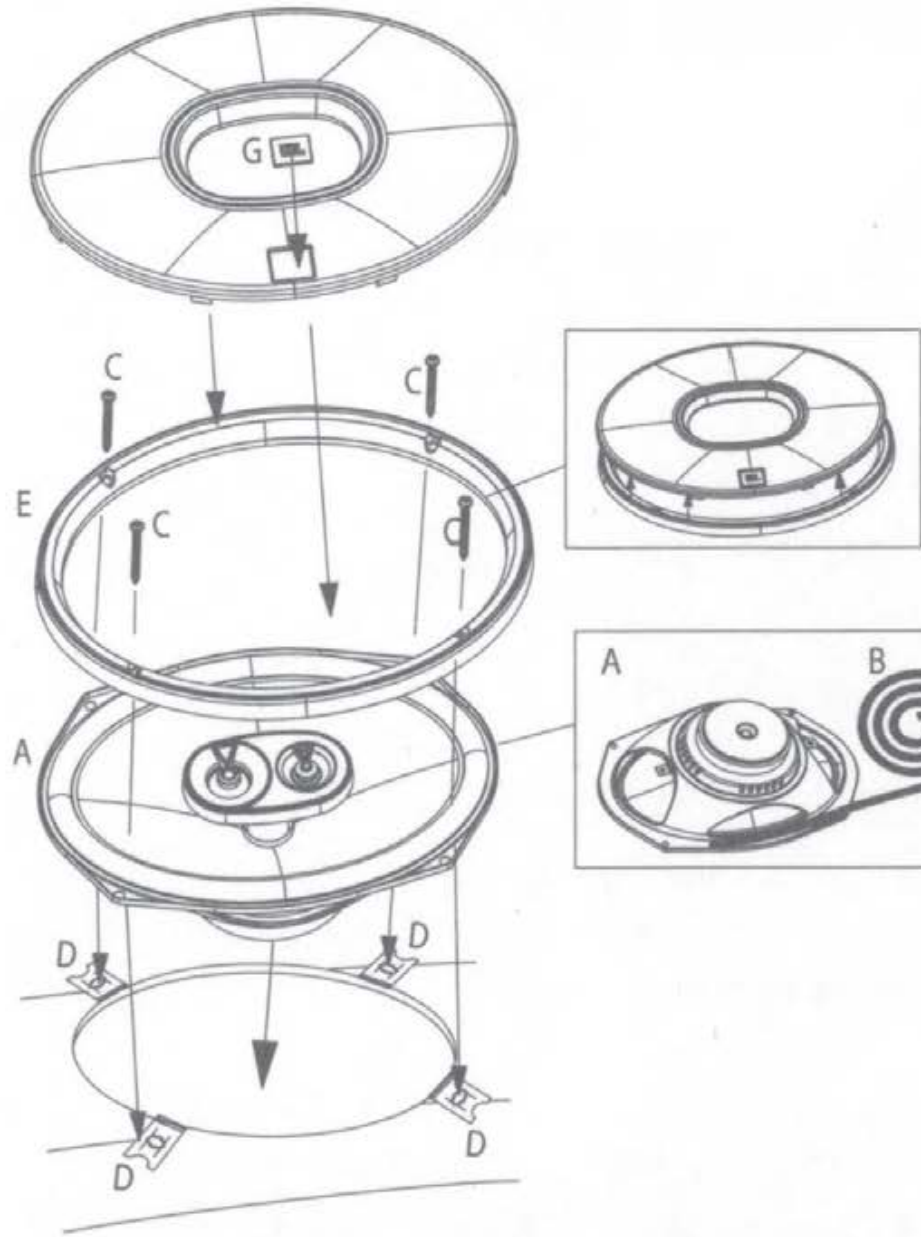
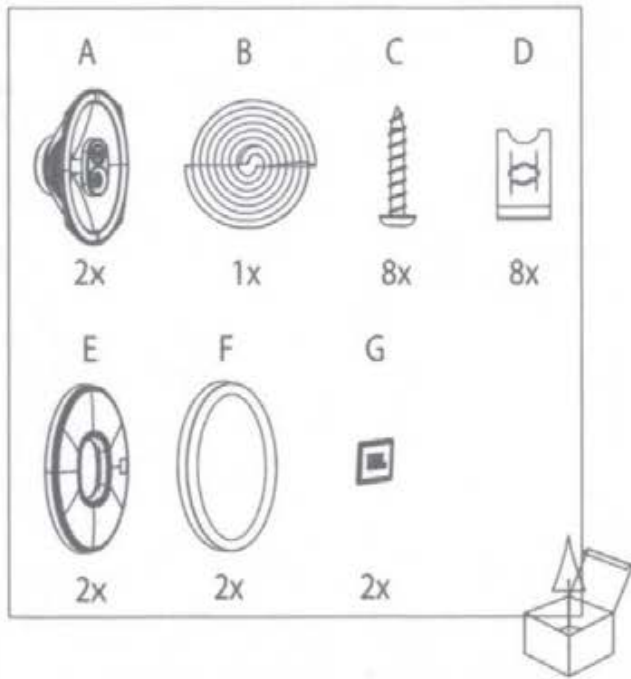


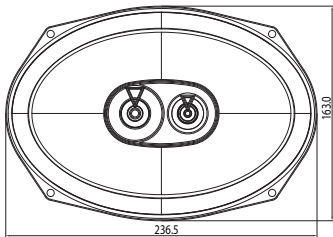
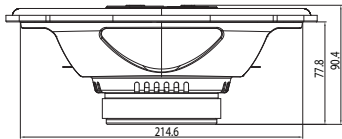


INSTALLATION MANUAL

Club 9632







Specifications

- Type: 6"x9" (152mm x 230mm) three-way car speaker
- Power Handling: 85W RMS, 255W peak
- Sensitivity (@ 2.83V): 93dB
- Frequency Response: 50Hz – 20kHz
- Nominal Impedance: 3.0 ohms

Thiele-Small Parameters

- BL (Tm): 4.063
- DCR (ohms): 2.63
- Mms (g): 23.163
- Sd (cm²): 226.98
- Cms (μm/N): 0.337
- Vas (l): 24.5866
- Fs (Hz): 56.9
- Qes: 1.321
- Qms: 11.751
- Qts: 1.188
- Crossover Point: 3kHz



HARMAN International
Industries, Incorporated, 8500
Balboa Boulevard, Northridge,
CA 91329 USA

© 2019 HARMAN International
Industries, Incorporated.

All rights reserved. JBL is a

trademark of HARMAN International Industries, Incorporated,
registered in the United States and/or other countries.

Features, specifications and appearance are subject to change
without notice.



CLUB9632



PATENTED PLUS ONE™ WOOFER CONE ARCHITECTURE
HAUT-PARLEUR DE GRAVES AVEC ARCHITECTURE DU CÔNE
BREVETÉE PLUS ONE™
ARQUITECTURA PATENTADA DE CONO DE ALTAVOZ PLUS ONE™



EDGE-DRIVEN SILK DOME TWEETER
HAUT-PARLEUR D'AIGUS À DÔME EN SOIE « EDGE DRIVEN »
ALTAVOZ DE AGUIJOS CON CÔPULA DE DISPERSION DE SEDER

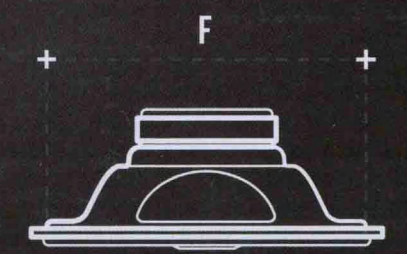


ACOUSTICALLY DAMPED, UV-RESISTANT POLYPROPYLENE CONE
CÔNE EN POLYPROPYLÈNE AVEC ACOUSTIQUE AMORTIE ET
PROTECTION CONTRE LES UV
CONO DE POLIPROPILENO CON AISLAMIENTO ACUSTICO Y RESISTENTE A RAYOS UV

⚠ WARNING: Cancer and Reproductive Harm - www.P65Warnings.ca.gov

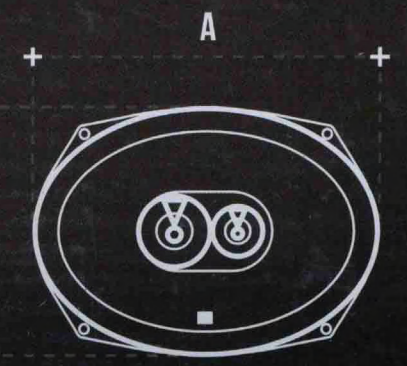


PATENTED
PLUS ONE™
WOOFER CONE
ARCHITECTURE



F 6-7/16"
(163 MM)

F 8-1/2"
(214.6 MM)



A 9-5/16"
(236.5 MM)

B 5-3/4"
(144.6 MM)

C 3-1/8"
(77.8 MM)

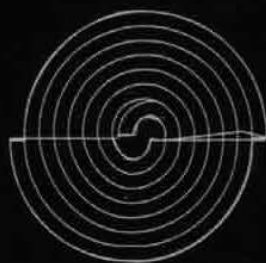
D 1/2"
(11.8 MM)

WHAT'S IN THE BOX

CONTENU DE LA BOÎTE | CONTEÚDO
DA CAIXA



×2



×1



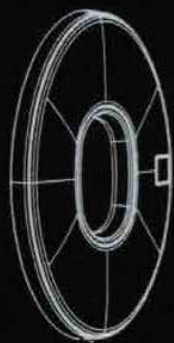
×8



×8



×2



×2



×2

TECHNICAL SPECS

CARACTÉRISTIQUES TECHNIQUES
| ESPECIFICAÇÕES TÉCNICAS



85WRMS
255W PEAK



(@ 2.83V): 93DB



50Hz - 20kHz



3.0 OHMS