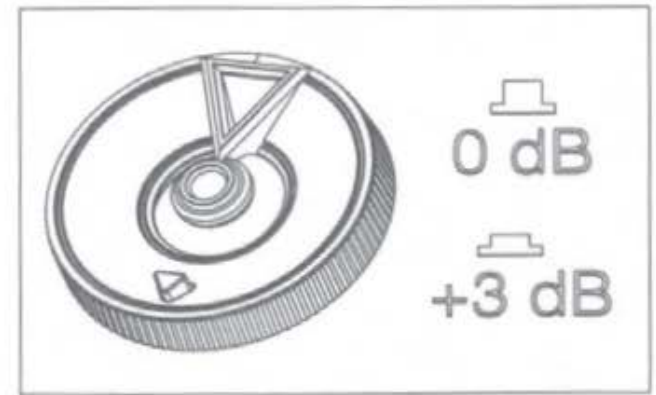
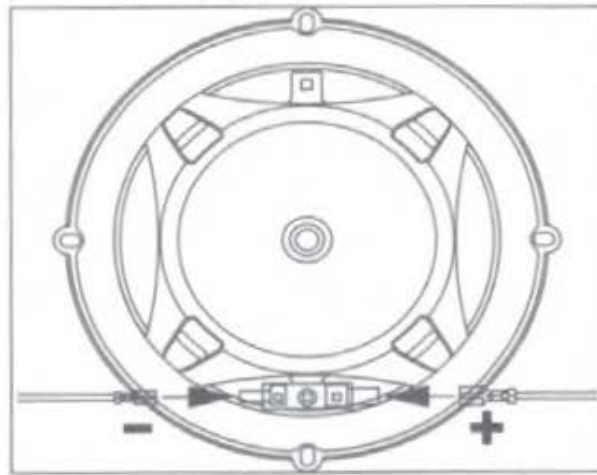


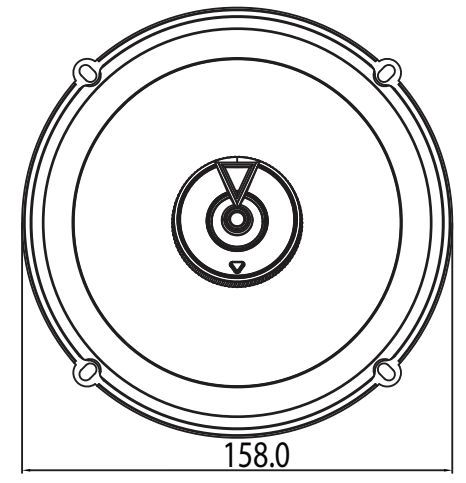
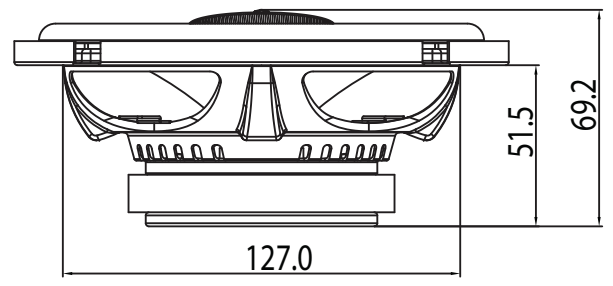
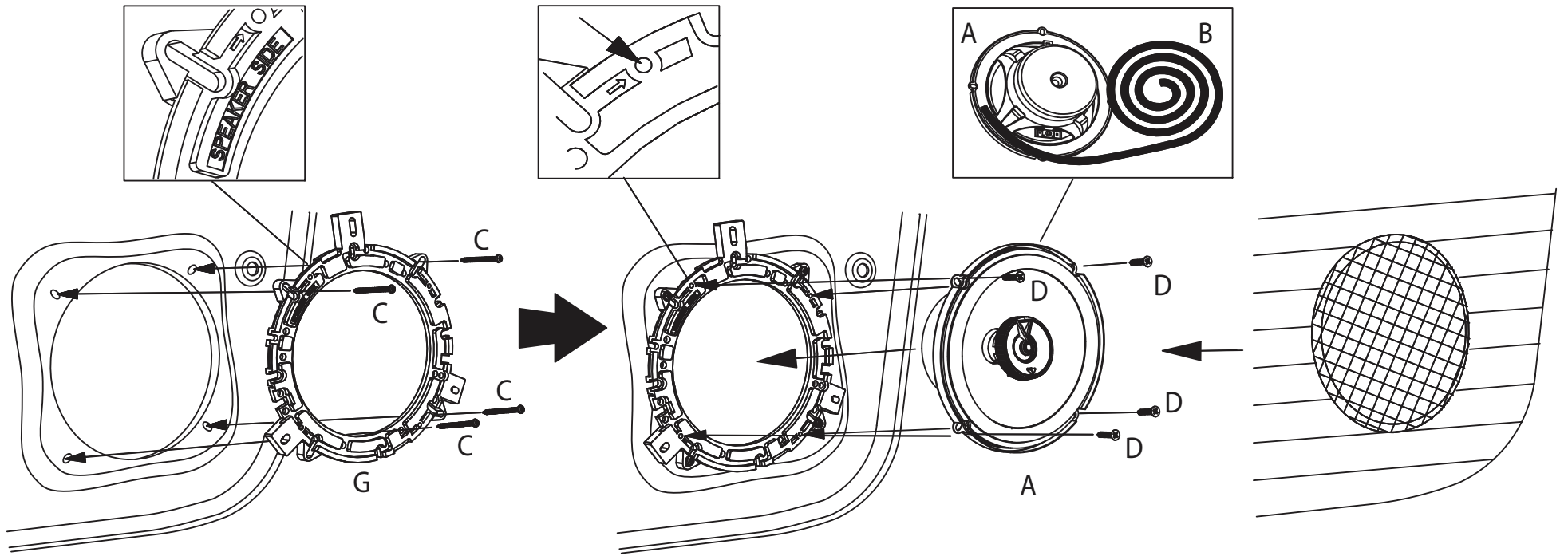


# INSTALLATION MANUAL

Club 622







## Specifications

- Type: 6-1/2" (160mm) Two-way Car Speaker , Engineered For Better Sound Performance.
- Power Handling: 60W RMS, 180W peak
- Sensitivity (@ 2.83V): 93dB
- Frequency Response: 48Hz – 21kHz
- Nominal Impedance: 3.0 ohms

## Thiele-Small Parameters

- BL (Tm): 3.632
- DCR (ohms): 2.36
- Mms (g): 13.758
- Sd (cm<sup>2</sup>): 132.73
- Cms (μm/N): 0.378
- Vas (l): 9.4253
- Fs (Hz): 69.8
- Qes: 1.080
- Qms: 10.655
- Qts: 0.980
- Crossover Point: 3.5kHz



HARMAN International  
Industries, Incorporated, 8500  
Balboa Boulevard, Northridge,  
CA 91329 USA

© 2019 HARMAN International  
Industries, Incorporated.

All rights reserved. JBL is a

trademark of HARMAN International Industries, Incorporated,  
registered in the United States and/or other countries.

Features, specifications and appearance are subject to change  
without notice.





**PATENTED PLUS ONE™ WOOFER CONE ARCHITECTURE**  
**HAUT-PARLEUR DE GRAVES AVEC ARCHITECTURE DU CÔNE BREVETÉE PLUS ONE™**  
 ARQUITECTURA PATENTADA DE CONO DE ALTAVOZ PLUS ONE™ | PATENTIERTE PLUS ONE™-TIEFTÖNERMEMBRAN-ARCHITEKTUR



**EDGE-DRIVEN SILK DOME TWEETER**  
**HAUT-PARLEUR D'AIGUS À DÔME EN SOIE « EDGE DRIVEN »**  
 ALTAVOZ DE AGUDOS CON CÚPULA DE DISPERSIÓN DE SEDA | HOCHTÖNKALOTTE MIT SEIDENMEMBRAN



**ACOUSTICALLY DAMPED, UV-RESISTANT POLYPROPYLENE CONE**  
**CÔNE EN POLYPROPYLÈNE AVEC ACOUSTIQUE AMORTIE ET PROTECTION CONTRE LES UV**  
 CONO DE POLIPROPILENO CON AISLAMIENTO ACÚSTICO Y RESISTENTE A RAYOS UV

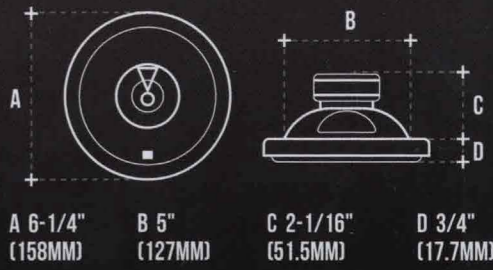


**ANGLED TWEETER WITH 0/+3DB TWEETER OUTPUT LEVEL ADJUSTMENT**  
**HAUT-PARLEUR D'AIGUS INCLINÉ AVEC RÉGLAGE DU NIVEAU DE SORTIE DE 0/+3 DB**  
 ALTAVOZ DE AGUDOS CON AJUSTE DE SALIDA DE 0/+3 DB

**WARNING:** Cancer and Reproductive Harm - [www.P65Warnings.ca.gov](http://www.P65Warnings.ca.gov)



**0/+3DB  
 TWEETER  
 OUTPUT LEVEL  
 ADJUSTMENT**



## WHAT'S IN THE BOX

CONTENU DE LA BOÎTE | CONTEÚDO DA  
CAIXA



x2



x1



x2



x2



x8



x8



x8



x2

## TECHNICAL SPECS

CARACTÉRISTIQUES TECHNIQUES |  
ESPECIFICAÇÕES TÉCNICAS



60W/RMS  
180W PEAK



[@ 2.83V]: 93DB



48Hz - 21kHz



3.0 OHMS