



INSTALLATION MANUAL

Club 322F

Club 3412T

Club 422F

Club 522F

Club 602C

Club 602CTP

Club 620F

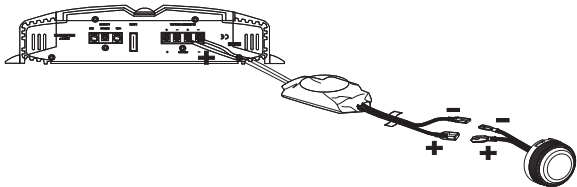
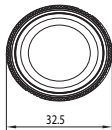
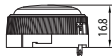
Club 622

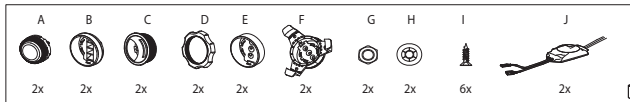
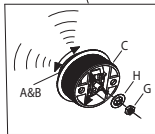
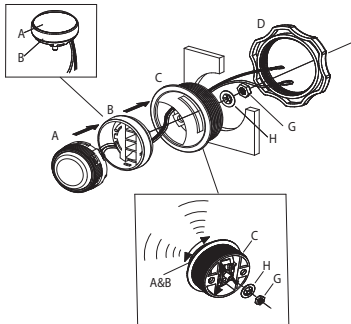
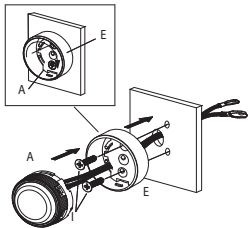
Club 6422F

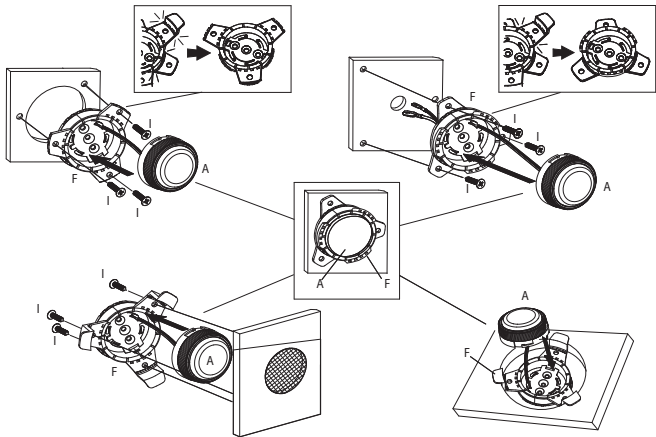
Club 8622F

Club 9632

Club 3412T







Specifications

- Type: 3/4" (19mm) Edge-Driven dome tweeter
- Power Handling: 50W RMS, 150W peak
- Sensitivity (@ 2.83V): 92dB
- Frequency Response: 3kHz – 20kHz
- Nominal Impedance: 3.0 ohms



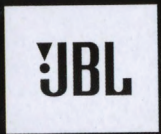
HARMAN International
Industries, Incorporated, 8500
Balboa Boulevard, Northridge,
CA 91329 USA

© 2019 HARMAN International
Industries, Incorporated.

All rights reserved. JBL is a

trademark of HARMAN International Industries, Incorporated,
registered in the United States and/or other countries.

Features, specifications and appearance are subject to change
without notice.



by HARMAN

CLUB3412T

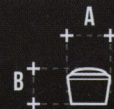


EDGE-DRIVEN DOME TWEETER



EDGE-DRIVEN SILK DOME TWEETER
HAUT-PARLEUR D'AIGUS À DÔME EN SOIE « EDGE DRIVEN »
ALTAVOZ DE AGUDOS CON CÚPULA DE DISPERSIÓN

WARNING: Cancer and Reproductive Harm - www.P65Warnings.ca.gov



A 1-5/16" (32.5MM) B 11/16 (16.8 MM)

TECHNICAL SPECS

CHARACTERISTIQUES
TECHNIQUES |
ESPECIFICAÇÕES
TECNICAS



**50WRMS
150W PEAK**



(@ 2.83V): 92DB



3KHZ-20KHZ



3.0 OHMS

WHAT'S IN THE BOX

CONTENIDO DE LA BOITE |

CONTEUDO DA CAIXA

