



INSTALLATION MANUAL

Club 322F

Club 3412T

Club 422F

Club 522F

Club 602C

Club 602CTP

Club 620F

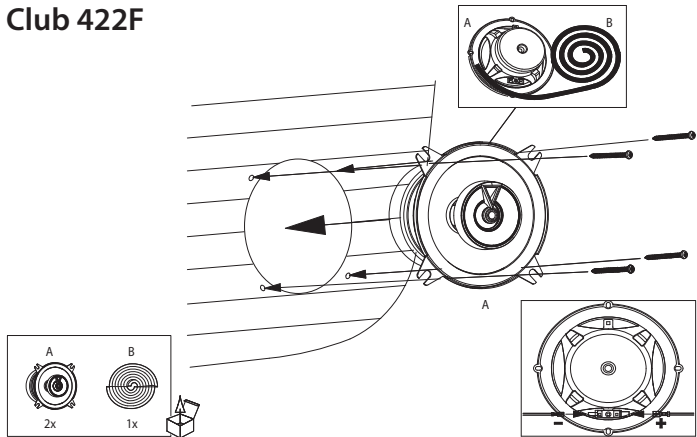
Club 622

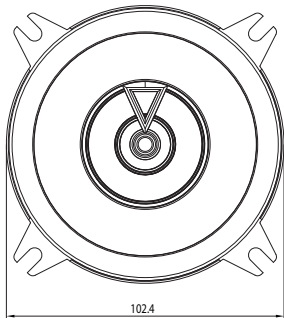
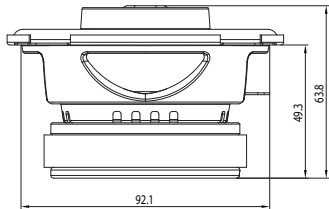
Club 6422F

Club 8622F

Club 9632

Club 422F





Specifications

- Type: 4" (100mm) Two-Way Car Speaker
- Power Handling: 35W RMS, 105W peak
- Sensitivity (@ 2.83V): 90dB
- Frequency Response: 75Hz – 20kHz
- Nominal Impedance: 3.0 ohms

Thiele-Small Parameters

- BL (Tm): 3.783
- DCR (ohms): 2.46
- Mms (g): 6.608
- Sd (cm²): 63.62
- Cms (μm/N): 0.750
- Vas (l): 4.2937
- Fs (Hz): 71.5
- Qes: 0.510
- Qms: 6.495
- Qts: 0.473
- Crossover Point: 3kHz



HARMAN International
Industries, Incorporated, 8500
Balboa Boulevard, Northridge,
CA 91329 USA

© 2019 HARMAN International
Industries, Incorporated.

All rights reserved. JBL is a

trademark of HARMAN International Industries, Incorporated,
registered in the United States and/or other countries.

Features, specifications and appearance are subject to change
without notice.



by HARMAN®

CLUB422F



PATENTED PLUS ONE™ WOOFER CONE ARCHITECTURE
HAUT-PARLEUR DE GRAVES AVEC ARCHITECTURE DU CÔNE BREVETÉE PLUS ONE™

ARQUITECTURA PATENTADA DE CONO DE ALTAVOZ PLUS ONE™



EDGE-DRIVEN SILK DOME TWEETER
HAUT-PARLEUR D'AIGUES À DÔME EN SOIE « EDGE DRIVEN »

ALTAVOZ DE AGUIJOS CON CÚPULA DE DISPERSIÓN EN SEDA

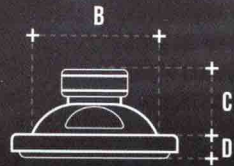
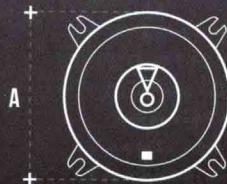


ACOUSTICALLY DAMPED, UV-RESISTANT POLYPROPYLENE CONE
CÔNE EN POLYPROPYLENE AVEC ACOUSTIQUE AMORTIE ET PROTECTION CONTRE LES UV

CONO DE POLIPROPILENO CON AISLAMIENTO ACÚSTICO Y RESISTENTE A RAYOS UV

⚠ WARNING: Cancer and Reproductive Harm - www.P65Warnings.ca.gov

PATENTED PLUS ONE™ WOOFER CONE ARCHITECTURE



A 4-1/16"
(102.4MM)

B 3-11/16"
(92.1MM)

C 2"
(49.3MM)

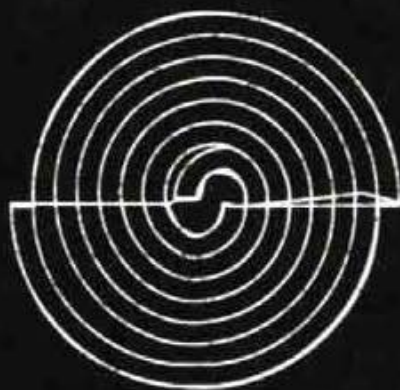
D 5/8"
(14.5MM)

WHAT'S IN THE BOX

CONTENU DE LA BOÎTE | CONTEÚDO DA
CAIXA



x2



x1

TECHNICAL SPECS

CARACTÉRISTIQUES TECHNIQUES |
ESPECIFICAÇÕES TÉCNICAS



35WRMS
105W PEAK



(@ 2.83V): 90DB



75Hz - 20kHz



3.0 OHMS