

Speaker Model:AE650C-Woofer

Cone material: Synthetic metal

DCR Impedance: 4.0 Ω

Maximum power Input: 50 W

Frequency Range: 55-6000 Hz

Sensitivity 1W/1M: 89dB

Qms:4.3

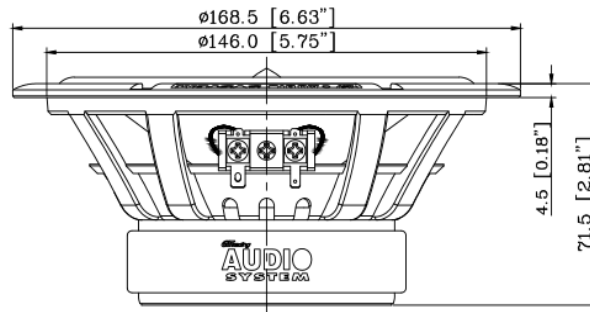
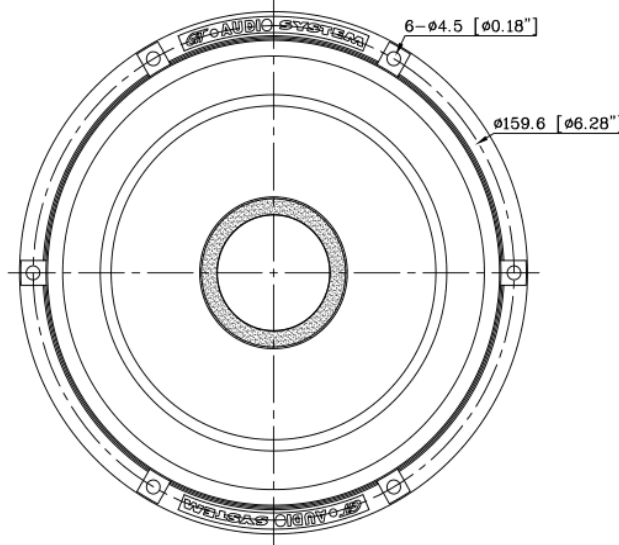
Qes:0.59

Qts:0.53

Weight: 1.33(KG)

Mounting Depth: 68 mm

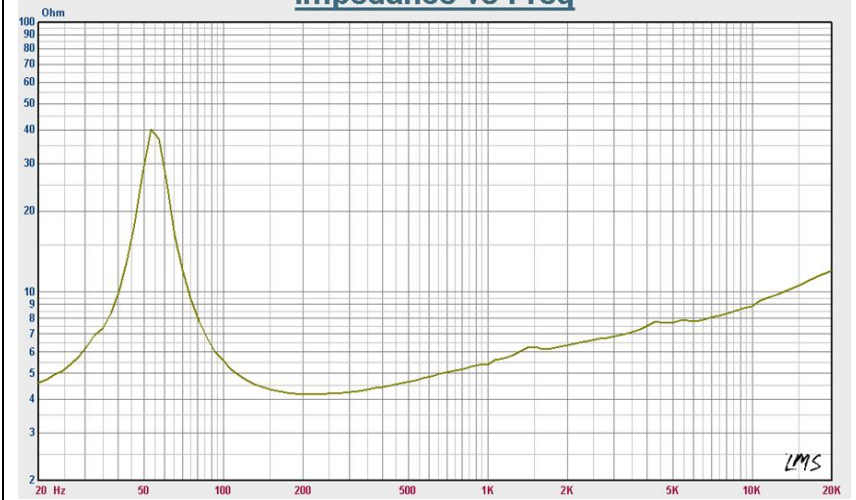
Mounting Diameter: 147 mm



SPL vs Freq



Impedance vs Freq



Speaker Model:AE650C-Tweeter

Cone material: Black Silk

DCR Impedance: 4.0 Ω

Maximum power Input: 30 W

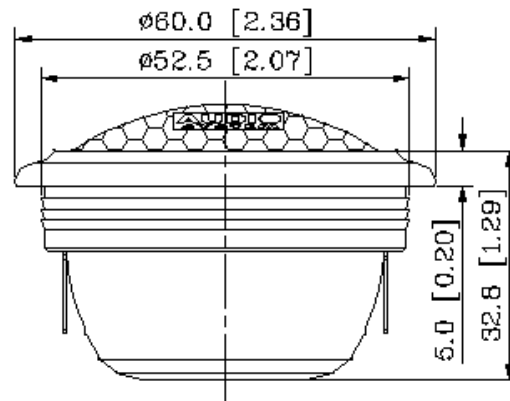
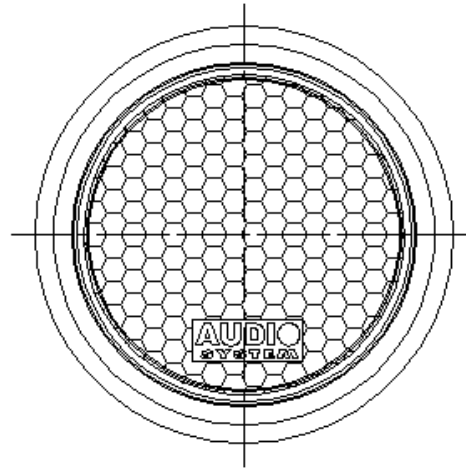
Frequency Range: 650-22000 Hz

Sensitivity 1W/1M: 90 dB

Weight: 0.12(KG)

Mounting Depth: 31 mm

Mounting Diameter: 52.5 mm



SPL vs Freq



Impedance vs Freq

