

CAR SERIES

Instruction Manual



ENGLISH
NORSK
SVENSKA
DANSK
SUOMI

NEXT BASE

**NB7-CAR / NB7T-CAR / NB7D-CAR
NB9-CAR / NB9T-CAR / NB9D-CAR**

TABLE OF CONTENTS

| | |
|--|----|
| TABLE OF CONTENTS | 01 |
| PRECAUTIONS | 02 |
| CAUTIONS ON USING THIS PRODUCT | 03 |
| PACKAGE CONTENTS | 04 |
| PLAYER PARTS & CONTROLS | |
| CAR7 SERIES DVD PLAYER | 05 |
| CAR7 SERIES MONITOR | 08 |
| CAR9 SERIES DVD PLAYER | 10 |
| CAR9 SERIES MONITOR | 13 |
| EASY FIT CAR MOUNT & INSTALLATION | |
| CAR MOUNT BRACKET | 15 |
| CAR MOUNT | 16 |
| SYSTEM CONNECTIONS | 17 |
| CAR ADAPTOR FUSE INFORMATION | 19 |
| INSERTING A DISC | 19 |
| AUDIO / VIDEO CONNECTIONS | 20 |
| REMOTE CONTROL | 21 |
| REMOTE CONTROL BATTERY REPLACEMENT | 24 |
| MEDIA PLAYBACK | 25 |
| VIDEO COMPRESSION FORMATS | 26 |
| WIRELESS HEADPHONES | 27 |
| SYSTEM SETUP | |
| GENERAL | 28 |
| VIDEO | 29 |
| PREFERENCES | 30 |
| PASSWORD | 31 |
| PRODUCT SPECIFICATION | 32 |
| SMASHED SCREEN IDENTIFICATION | 33 |
| PIXEL STATEMENT | 33 |
| TROUBLE SHOOTING | 34 |

This manual covers the following NEXTBASE models:

- 1) NB7-CAR: CAR 7" DVD Player
- 2) NB7T-CAR: CAR 7" DVD Player/Monitor
- 3) NB7D-CAR: CAR 7" DVD Player/Player
- 4) NB9-CAR: CAR 9" DVD Player
- 5) NB9T-CAR: CAR 9" DVD Player/Monitor
- 6) NB9D-CAR: CAR 9" DVD Player/Player

PRECAUTIONS

Thank you for choosing this NEXTBASE portable DVD player. Please read this manual carefully before operation and keep it for future reference. It will be helpful should you encounter any operational problem.

WARNING: Do not expose this product to rain, moisture or water under any circumstances, doing so may result in the risk of electric shock or fire.

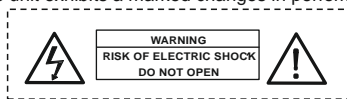
CAUTION: To reduce the risk of electric shock, do not perform any servicing other than that contained in the instruction manual unless you are qualified to do so.

Have the unit serviced by a qualified service technician if;

The unit has been exposed to rain or water.

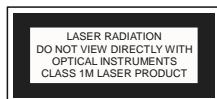
The unit does not seem to operate normally.

The unit exhibits a marked changes in performance.



LASER: This product contains a Class 1M Laser. Due to possible eye injury only qualified service technicians should remove the cover or attempt to service this device.

| | |
|-----------------|----------------------------|
| LASER: | |
| Type | Semiconductor laser GaAlAs |
| Wave Length | 650nm / 780nm |
| Output Power | 5mW |
| Beam Divergence | 60 degrees |



AUDIO LEVEL: When using earphones listen at a reasonable volume for reasonable lengths of time.

Do not turn the volume so high that you cannot hear what is around you.

WEEE: **Disposal of Waste Electrical and Electronic Equipment and/or Battery by users in private households in the European Union.**



This symbol on the product or on the packaging indicates that this can not be disposed of as household waste. You must dispose of your waste equipment and/or battery by handing it over to the applicable take-back scheme for the recycling of electronic equipment and/or battery. For more information please contact your local household waste disposal office.

DO NOT ATTEMPT TO SERVICE THE UNIT BY YOURSELF!

CAUTIONS ON USING THIS PRODUCT

1. Please read this instruction manual carefully and follow the instructions for safe operation of the player and accessories.
2. Refer all servicing to authorized NEXTBASE repair centres only. Do not attempt to repair this product yourself due to risk of electric shock, doing so will render the manufacturers warranty void.
3. Only use the supplied accessories with the DVD player, failure to do so may result in damage not covered under the manufacturers warranty.
4. Do not touch the laser pickup lens, doing so may cause damage not covered under the manufacturers warranty.
5. Do not leave the DVD player in places where the temperature is extremely low (approx. -10°C or lower) or extremely high temperatures (approx. 60°C or higher). Doing so may result in damage not covered under the manufacturers warranty.
6. Do not block the ventilation openings on the rear of DVD player, do not place the DVD player with the rear housing in contact with a soft material, i.e. carpet.
7. Should you need to clean the DVD player use a soft cloth with a neutral detergent diluted in 5-6 parts water, wipe off the dirt and then use a dry clean cloth to remove any residue. Do not use alcohol based products as this may cause damage. Always disconnect the DVD player from any power supply before cleaning.
8. Disconnect the DVD player from the power supply when not in use.
9. It is forbidden by law to copy, broadcast, broadcast via cable, play in public, or rent copyrighted material without permission.
10. This product features the copyright protection technology that is protected by U.S. patents and other intellectual property rights. Use of this copyright protection technology must be authorized by Macrovision Corporation, and is intended for home and limited viewing purposes only unless otherwise authorized by Macrovision Corporation. Reverse engineering or disassembly is prohibited.
11. The model number and serial number are located on the back housing of the DVD player, please record these details below along with the date of purchase.

Model Number:

Serial Number:

Date of Purchase:

SPECIAL NOTE ON USE OF THIS DVD PLAYER WITHIN A VEHICLE


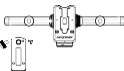




We strongly advise that the **driver** of the vehicle should not view or operate this product whilst driving.

Most countries have laws that prohibit the **driver** from having visibility of the screen while driving. Please adhere to these laws.



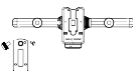





PACKAGE CONTENTS

Please check the contents of your purchased model using the guide below.
In the event of an item being missing please contact your local NEXTBASE dealer.


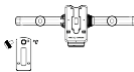





NB7-CAR / NB9-CAR

| | | | |
|--|--|---|--|
| DVD Player  | Easy Fit Car Mount  | Car Power Cable  | Remote Control  |
| Earphones  | Instruction Manual  | | |

NB7T-CAR / NB9T-CAR

| | | | |
|--|--|--|--|
| DVD Player  | Monitor  | Easy Fit Car Mount x 2  | Car Power Cable  |
| Remote Control  | Connection Cable  | Earphones x 2  | Instruction Manual  |

NB7D-CAR / NB9D-CAR

| | | | |
|--|---|--|---|
| DVD Player x 2  | Easy Fit Car Mount x 2  | Car Power Cable  | Remote Control x 2  |
| Connection Cable  | Earphones x 2  | Instruction Manual  | |

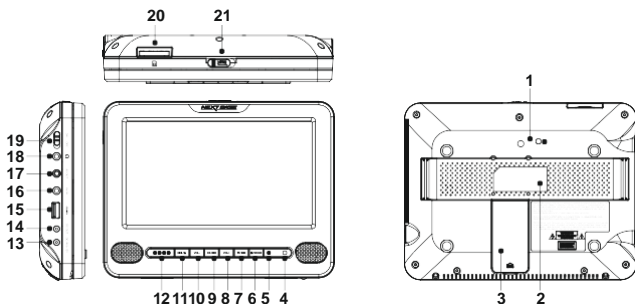
Note:

The actual products might appear slightly different from pictures shown above.

NB7-CAR SERIES DVD PLAYER

NB7-CAR / NB7T-CAR / NB7D-CAR

Player



1. Fixing points for easy fit car mountbracket

Fixing points to secure the supplied car mount bracket.
See page 15 for further information.

2. Product Rating label

Product details, model name etc to be found here.

3. Player stand

Pull out stand from the bottom to use DVD player outside of vehicle.
Player stand will not be accessible when the car mount bracket is attached.

4. Receiver for remote control

Point remote control here, be careful when using two players in the same vehicle to avoid controlling the second DVD player.

5. Power LED indicator

LED will be illuminated (red) when power is supplied to DVDplayer.

6. Stop / Mode

Press to stop playback.

Press and hold for 2-3 seconds to select Mode: DVD / AV IN / MEDIA / SETUP.

Note: SETUP will only give access to the General SetupPage.

7. Down / Next

Press to navigate down within the menus.

Press to move to next chapter or track.

8. VOL+

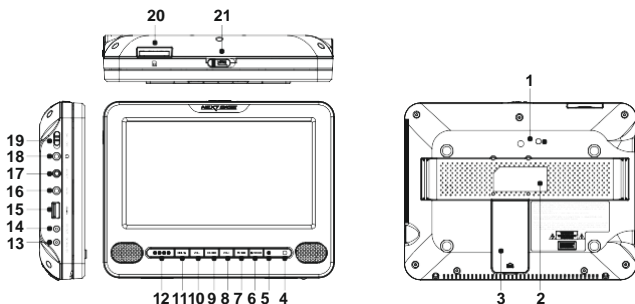
Press to increase volume level.

Applies to DVD player speakers and earphones.

NB7-CAR SERIES DVD PLAYER (CONTD.)

NB7-CAR / NB7T-CAR / NB7D-CAR

Player



9. OK / Play & Pause

Press to confirm selection made within the Setup menu or DVD menu
Press to start / pause / resume playback.

10. VOL-

Press to decrease volume level.
Applies to DVD player speakers and earphones.

11. Previous / Up

Press to move to previous chapter or track.
Press to navigate up within the menus.

12. IR Headphone LED's

When illuminated the four red LED's indicate that the infra-red transmitter for use with compatible wireless headphones (not supplied) has been turned on.
See page 27 for further information.

13. DC IN socket

Connect the supplied 12VDC car power cable here, not for use with 24VDC vehicles.

14. DC Out socket

Used with the 'T' (player/monitor) and 'D' (player/player) models to pass power between screens using the supplied connection cable.
See page 17 for further information.

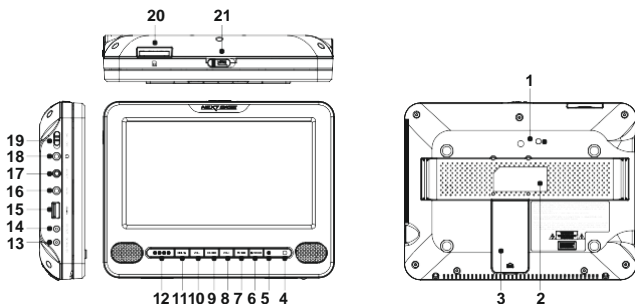
15. USB Port

Insert USB memory stick here. For direct connection of USB flash memory sticks only. NOT for PC connection or for external hard drive / alternative device connection.
See page 25 for further information.

NB7-CAR SERIES DVD PLAYER (CONTD.)

NB7-CAR / NB7T-CAR / NB7D-CAR

Player



16. AV In socket

Used to connect the DVD player to a second DVD player using the connection cable supplied with the 'D' (player/player) models.

The DVD player can also be connected to other devices, such as a camcorder and used as a monitor using an AV cable (not supplied).

See page 20 for further information.

17. AV Out socket

Used to connect the DVD player to the second DVD player or monitor using the connection cable supplied with the 'T' (player/monitor) and 'D' (player/player) models.

The DVD player can also be connected to other external devices, such as a television using an AV cable (not supplied).

See pages 17, 18 & 20 for further information.

18. Earphone socket

Connect earphones here, note that connecting earphones will mute the speakers.

19. On / Off switch

Move button up to turn on the DVD player ON and down to turn OFF.

20. Card Reader

Insert SD / MMC memory cards, take care that the memory card is correctly installed with contacts facing forwards, as per the symbol.

See page 25 for further information.

21. Open

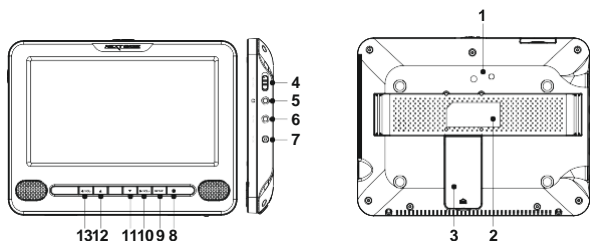
Slide button to the right to release the catch and gently pull screen forwards, to access the disc compartment.

Note: Do not pull on the screen excessively or damage will result which is not covered by the manufacturers warranty.

NB7-CAR SERIES MONITOR

NB7T-CAR

Monitor



1. Fixing points for easy fit car mount bracket

Fixing points to secure the supplied car mount bracket.

See page 15 for further information.

2. Product Rating label

Product details, model name etc to be found here.

3. Monitor stand

Pull out stand from the bottom to use monitor outside of vehicle.

Monitor stand will not be accessible when the car mount bracket is attached.

4. On / Off switch

Move button up to turn ON the monitor and down to turn OFF.

5. Earphone socket

Connect earphones here, note that connecting earphones will mute the speakers.

6. AV In socket

Socket for the audio / video connector of the connection cable supplied with the 'T' (player/monitor) models.

See page 17 for further information.

7. DC IN socket

Socket for the power connector of the connection cable supplied with the 'T' (player/monitor) models.

See page 17 for further information.

8. Power LED indicator

LED will be illuminated (red) when power is supplied to the monitor.

9. Setup

Press to enter monitor settings menu to adjust:

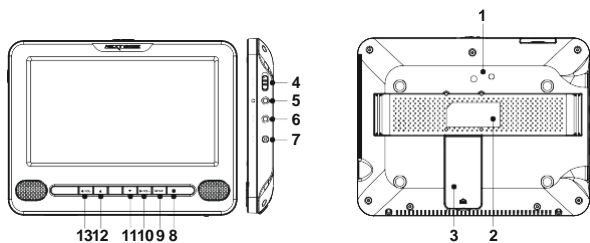
Brightness / Contrast / Colour / Language / Zoom / Reset.

Use the navigation buttons on the front of the monitor to select & adjust as required, press SETUP to exit the menu.

NB7-CAR SERIES MONITOR (CONTD.)

NB7T-CAR

Monitor



10. VOL+ / Right

Press to increase volume level.

Press to navigate right and adjust settings within the monitor display SETUP menu.

11. DOWN

Press to navigate down within the monitor display SETUP menu.

12. UP

Press to navigate up within the monitor display SETUP menu.

13. VOL- / Left

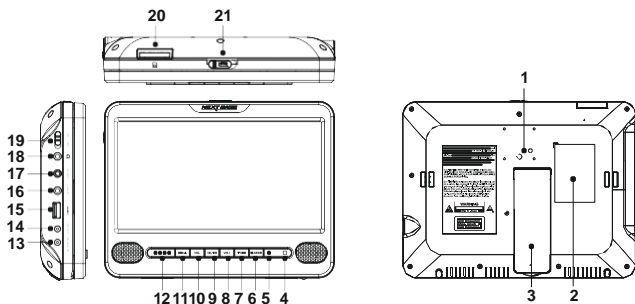
Press to decrease volume level.

Press to navigate left and adjust settings within the monitor display SETUP menu.

NB9-CAR SERIES DVD PLAYER

NB9-CAR / NB9T-CAR / NB9D-CAR

Player



1. Fixing points for easy fit car mountbracket

Fixing points to secure the supplied car mount bracket.
See page 15 for further information.

2. Product Rating label

Product details, model name etc to be found here.

3. Player stand

Pull out stand from the bottom to use DVD player outside of vehicle.
Player stand will not be accessible when the car mount bracket is attached.

4. Receiver for remote control

Point remote control here, be careful when using two players in the same vehicle to avoid controlling the second DVD player.

5. Power LED indicator

LED will be illuminated (red) when power is supplied to DVDplayer.

6. Stop / Mode

Press to stop playback.

Press and hold for 2-3 seconds to select Mode: DVD / AV IN / MEDIA / SETUP.

Note: SETUP will only give access to the General Setup Page.

7. Down / Next

Press to navigate down within the menus.

Press to move to next chapter or track.

8. VOL+

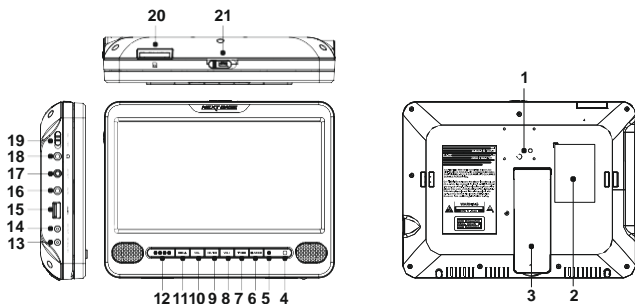
Press to increase volume level.

Applies to DVD player speakers and earphones.

NB9-CAR SERIES DVD PLAYER (CONTD.)

NB9-CAR / NB9T-CAR / NB9D-CAR

Player



9. OK / Play & Pause

Press to confirm selection made within the Setup menu or DVD menu
Press to start / pause / resume playback.

10. VOL-

Press to decrease volume level.
Applies to DVD player speakers and earphones.

11. Previous / Up

Press to move to previous chapter or track.
Press to navigate up within the menus.

12. IR Headphone LED's

When illuminated the four red LED's indicate that the infra-red transmitter for use with compatible wireless headphones (not supplied) has been turned on.
See page 27 for further information.

13. DC IN socket

Connect the supplied 12VDC car power cable here, not for use with 24VDC vehicles.

14. DC Out socket

Used with the 'T' (player/monitor) and 'D' (player/player) models to pass power between screens using the supplied connection cable.
See page 17 for further information.

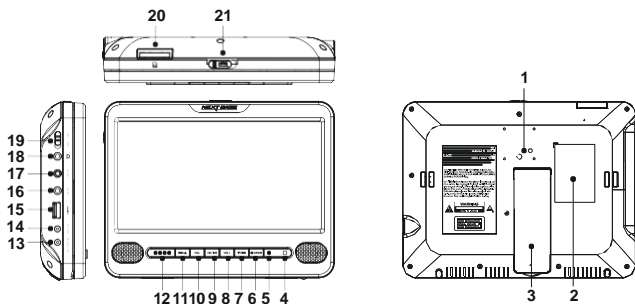
15. USB Port

Insert USB memory stick here. For direct connection of USB flash memory sticks only. NOT for PC connection or for external hard drive / alternative device connection.
See page 25 for further information.

NB9-CAR SERIES DVD PLAYER (CONTD.)

NB9-CAR / NB9T-CAR / NB9D-CAR

Player



16. AV In socket

Used to connect the DVD player to a second DVD player using the connection cable supplied with the 'D' (player/player) models.

The DVD player can also be connected to other devices, such as a camcorder and used as a monitor using an AV cable (not supplied).

See page 20 for further information.

17. AV Out socket

Used to connect the DVD player to the second DVD player or monitor using the connection cable supplied with the 'T' (player/monitor) and 'D' (player/player) models.

The DVD player can also be connected to other external devices, such as a television using an AV cable (not supplied).

See pages 17, 18 & 20 for further information.

18. Earphone socket

Connect earphones here, note that connecting earphones will mute the speakers.

19. On / Off switch

Move button up to turn on the DVD player ON and down to turn OFF.

20. Card Reader

Insert SD / MMC memory cards, take care that the memory card is correctly installed with contacts facing forwards, as per the symbol.

See page 25 for further information.

21. Open

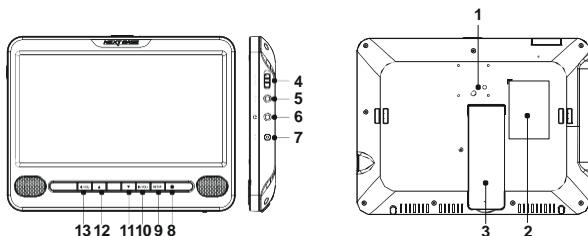
Slide button to the right to release the catch and gently pull screen forwards, to access the disc compartment.

Note: Do not pull on the screen excessively or damage will result which is not covered by the manufacturers warranty.

NB9-CAR SERIES MONITOR

NB9T-CAR

Monitor



1. Fixing points for easy fit car mountbracket

Fixing points to secure the supplied car mount bracket.
See page 15 for further information.

2. Product Rating label

Product details, model name etc to be found here.

3. Monitor stand

Pull out stand from the bottom to use monitor outside of vehicle.
Monitor stand will not be accessible when the car mount player bracket is attached.

4. On / Off switch

Move button up to turn ON the monitor and down to turn OFF.

5. Earphone socket

Connect earphones here, note that connecting earphones will mute the speakers.

6. AV In socket

Socket for the audio / video connector of the connection cable supplied with the 'T' (player/monitor) models.
See page 17 for further information.

7. DC IN socket

Socket for the power connector of the connection cable supplied with the 'T' (player/monitor) models.
See page 17 for further information.

8. Power LED indicator

LED will be illuminated (red) when power is supplied to the monitor.

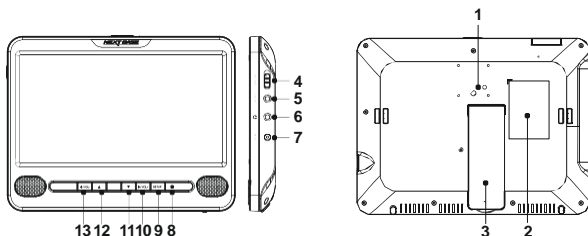
9. Setup

Press to enter monitor settings menu to adjust:
Brightness / Contrast / Colour / Language / Zoom / Reset..
Use the navigation buttons on the front of the monitor to select & adjust as required, press SETUP to exit the menu.

NB9-CAR SERIES DVD MONITOR (CONTD.)

NB9T-CAR

Monitor



10. VOL+ / Right

Press to increase volume level.

Press to navigate right and adjust settings within the monitor SETUP display menu.

11. DOWN

Press to navigate down within the monitor display SETUP menu.

12. UP

Press to navigate up within the monitor SETUP display menu.

13. VOL- / Left

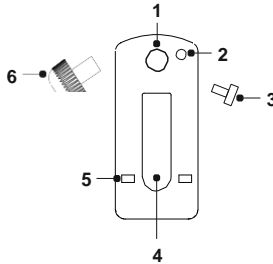
Press to decrease volume level.

Press to navigate left and adjust settings within the monitor SETUP display menu.

EASY FIT CAR MOUNT & INSTALLATION

The supplied mount has been designed to allow the easy installation into your vehicle. Please follow instructions given below.

Car Mount Bracket



1. Locating hole for thumbwheel

Thumbwheel will pass through the car mount bracket here.

2. Locating hole for Anti-rotation pin

Anti-rotation pin will pass through the car mount bracket here.

3. Anti-rotation pin

This metal pin will locate through the car mount bracket and into a hole in the rear housing of the player / monitor to stop possible rotation of the screen when vehicle is moving.

4. Car mount bracket guide

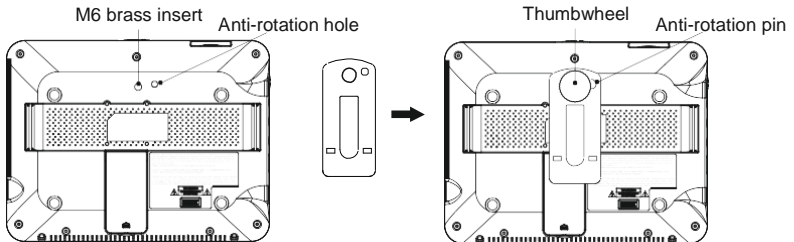
The guide is used to locate the bracket on to the car mount.

5. Locking tab recess

Locating recesses for the car mount locking tabs.

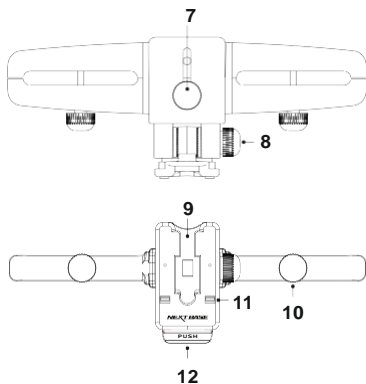
6. M6 Player bracket thumbwheel

Thumbwheel is used to secure the player bracket to the rear housing of the DVD player / monitor, remember to fit the anti-rotation pin prior to tightening the thumbwheel, see item 3 above.



EASY FIT CAR MOUNT & INSTALLATION (CONTD.)

Car Mount



7. Seat / Screen adjustment thumbwheel

Loosen thumbwheel to increase / decrease the distance between seat and the screen as required, remembering to re-tighten the thumbwheel before use.

8. Screen viewing angle adjustment thumbwheel

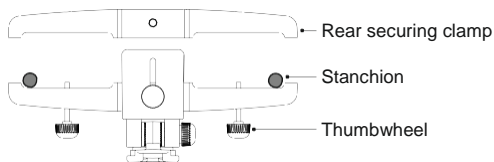
Loosen this thumbwheel to change the angle of the screen as required, remembering to re-tighten the thumbwheel before use.

9. Car mount guide

Once attached to the DVD player / monitor the bracket will slide down into this guide.

10. Securing clamp thumbwheels

Remove the two thumbwheels to release the rear securing clamp, place the two clamps either side of the metal poles (stanchions) that connect the headrest to the car seat. Re-tighten the two thumbwheels.



11. Locking tabs

These locking tabs will lock into the player bracket and a click will be heard when the DVD player / monitor is correctly attached.

12. Release catch

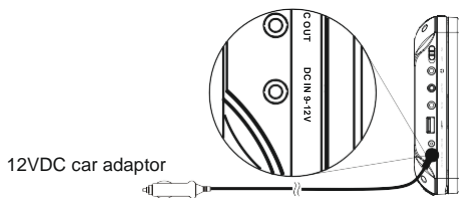
Push the catch backwards to release the locking tabs, pull DVD player / monitor upwards to remove from the car mount.

SYSTEM CONNECTIONS

NB7-CAR / NB9-CAR (Player only models)

Is recommended that the DVD player is mounted behind the drivers seat, for best cable routing.

The only connection required is 12VDC (not 24VDC) power using the supplied car adaptor. With the vehicle running connect the car adaptor to the 12VDC outlet within the vehicle and making sure the DVD player is turned off connect the car adaptor to the socket marked 'DC IN 9-12V' which is located on the left hand side of the DVD player.



The DVD player can now be turned on. Please turn the DVD player off before disconnecting the car adaptor or turning off the vehicle.

NB7T-CAR / NB9T-CAR (Player / Monitor models)

For the player / monitor models there is the standard car adaptor connection as described above and also the audio / video / power connection between the player and monitor to be made using the supplied cable.

DVD Player:

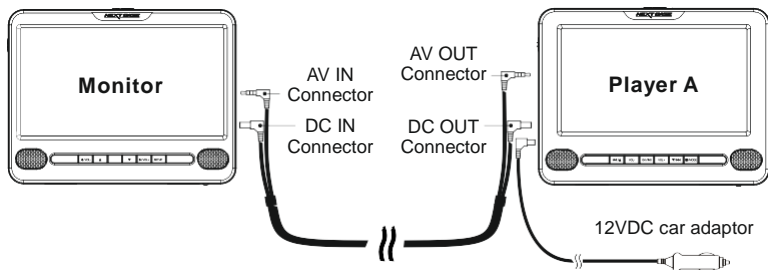
Insert the DC connector into the '**DC OUT**' socket located on the left hand side of the DVD player.

Insert the 3.5mm AV connector into the '**AV OUT**' socket also located on the left hand side of the DVD player.

Monitor:

Insert the DC connector into the '**DC IN**' socket located on the right hand side of the monitor.

Insert the 3.5mm AV connector into the '**AV IN**' socket also located on the right hand side of the monitor.



SYSTEM CONNECTIONS (CONTD.)

NB7D-CAR / NB9D-CAR (Player / Player models)

For the player / player models there is the standard car adaptor connection as described on the previous page to one of the two DVD players and also the audio / video / power connection between the two players to be made using the supplied cable.

DVD Player A:

Insert the DC connector into the 'DC OUT' socket located on the left hand side of the DVD player.

Insert the 3.5mm AV connector into the 'AV OUT' socket also located on the left hand side of the DVD player.

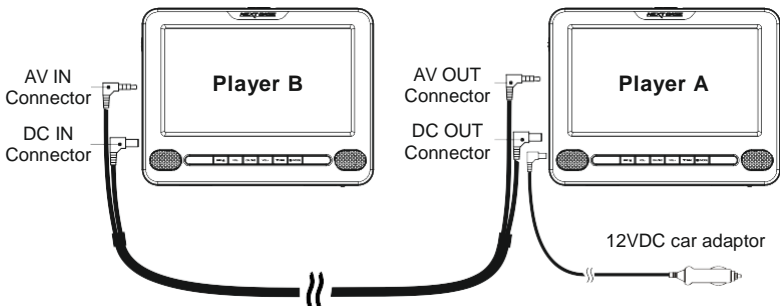
When sharing a movie between the two DVD players the disc should be in Player A.

DVD Player B:

Insert the DC connector into the 'DC IN' socket located on the left hand side of the DVD player.

Insert the 3.5mm AV connector into the 'AV IN' socket also located on the left hand side of the DVD player.

When sharing a movie Player B needs to be in AV IN mode.



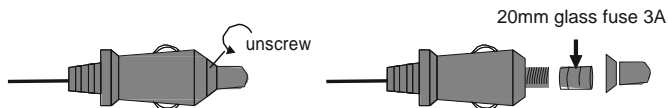
Note:

1. For use with 12VDC vehicles only, not 24VDC vehicles. Should the DVD player be used in a 24VDC vehicle damage will be caused which is not covered under the manufacturers warranty.
2. Always start the vehicle engine before connecting the DVD player to the supply or damage could result due to electrical surges during engine start.

CAR ADAPTOR FUSE INFORMATION

The car adaptor is fused in order to protect the car and DVD player from damage as a result of voltage / current surges, short circuit, cable damage or product failure.

The fuse is user-replaceable by unscrewing the end-cap, take care when removing the end-cap as there is a spring within the assembly.

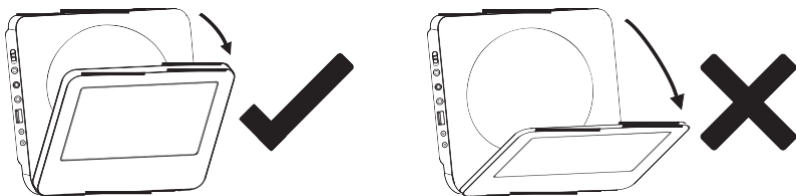


Replacements fuses are readily available, should you have any difficulties please contact you local NEXTBASE dealer.

INSERTING A DISC

To open the disc compartment move the OPEN catch located on the top of the DVD player to the right.

Open the disc compartment by letting the screen move forwards, do not force the screen to open further.



Note:

Damage caused to the DVD player by opening the screen beyond the design limit is not covered under the manufacturers warranty.

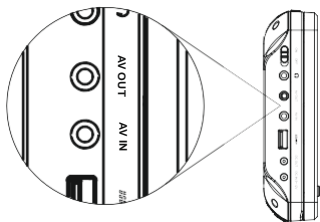
Place disc onto the spindle with label facing forwards, making sure disc is secure. Close the disc compartment the DVD player will automatically read the disc.

AUDIO / VIDEO CONNECTONS

The CAR Series range of DVD players have Audio / Video (AV) Out and In functionality. This allows the DVD player to be connected using the an AV cable (sold separately) to an external screen, i.e. a television or an external AV source, i.e. a camcorder.

Please contact your local NEXTBASE dealer to purchase the correct AV Cable.

The connectors are located on the left hand side of the DVD player, see image below.



Audio / Video Out Connection

Connect the 3.5mm connector of the audio / video cable (not supplied) to the DVD player, using the socket marked AV OUT.

Depending on the equipment that you wish to connect the DVD player to, you may need an adaptor to convert the 'female' RCA (red / white / yellow) connectors to 'male'.

Audio / Video In Connection

Connect the 3.5mm connector of the audio / video cable (not supplied) to the DVD player, using the socket marked AV IN.

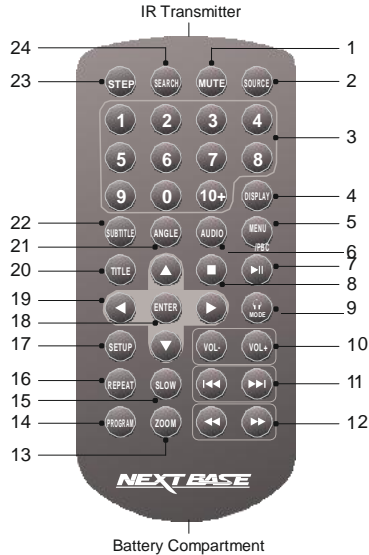
Depending on the equipment that you wish to connect the DVD player to you may need an adaptor to convert the 'female' RCA (red / white / yellow) connectors to 'male'.

Press the MODE button on the front of the DVD player and then select AV IN, you can also use the SOURCE on the remote control.

The DVD player is now ready to receive audio and video signal from your external source.

REMOTE CONTROL

This section describes the remote control functions.



- 1. MUTE**
Disable the audio output, applies to DVD player speakers, earphones and audio out.
- 2. SOURCE**
Press to select media source: DVD / AV IN / MEDIA / SETUP.
- 3. NUMBER BUTTONS**
Used to select numbered items within menus and also to input password.
- 4. DISPLAY**
Press to display playback information, i.e. disk chapter etc.
- 5. MENU/PBC**
DVD: Press to return to the disk root menu.
VCD: Press to turn on/off PBC (playback control).
- 6. AUDIO**
DVD: Press to toggle through available languages on current disk.
CD/VCD: Press to toggle through available audio channels on current disk.
- 7. PLAY/PAUSE**
Press once during playback to pause, press again to resume playback.

REMOTE CONTROL (CONTD.)

- 8. STOP**
Press once during playback to stop playback of DVD content, pressing the play/pause button will then resume playback from that point.
Press twice to stop playback of DVD content, this will cancel resume function.
- 9. IR HEADPHONE MODE**
Press once to turn on the IR transmitter, this will open Channel A.
Press twice for 'Channel B'.
Press a third time to turn the IR transmitter OFF.
- 10. VOLUME**
Press + or - as required to adjust volume level, applies to DVD player speakers and earphones.
- 11. NEXT / PREVIOUS**
Press next or previous as required to move to next or previous chapter or track.
- 12. FAST FORWARD / REWIND**
Press as required to move forwards or backwards (x2, x4, x8, x16, x32) during playback, pressing a sixth time will return to normal playback.
Pressing the play button will also return to normal playback.
- 13. ZOOM**
DVD: Press zoom as required to enlarge or shorten the image.
Each press changes zoom level: 2X, 3X, 4X, 1/2X, 1/3X, 1/4X, Normal
The zoom icon will appear on-screen briefly in the top right corner.
JPEG: Press zoom and then use the ►► button to enlarge the image or ◀◀ to shorten the image.
The navigation buttons can be used to toggle throughout the enlarged image.
Press zoom once more to exit zoom mode.
- 14. PROGRAM**
Press to open the program function, this enables you to select chapters or tracks.
Using the number buttons to select required chapters or tracks, press play to start playback.
To cancel stored program press the program button once more.
Program will be cancelled when disc is removed or the DVD player is turned off.
- 15. SLOW**
Press as required to slow playback (½, 1/4, 1/8, 1/16), pressing a fifth time will return to normal playback.
- 16. REPEAT**
Press during playback to select required repeat mode as given below..
DVD: Chapter / Title / Off
CD/VCD: Single / All / Off
MP3: Shuffle / Random / Single / Repeat one / Repeat Folder / Off
- 17. SETUP**
Press to open the Setup menu.

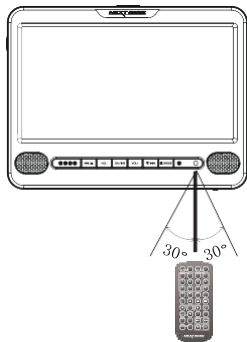
REMOTE CONTROL (CONTD.)

18. **ENTER**
Press to confirm selection within the menus.
19. **NAVIGATION BUTTONS**
Press as required to navigate through the options within the menus.
20. **TITLE**
Press to return to the DVD title menu.
21. **ANGLE**
Press to change the viewing angle during DVD playback.
This feature may not be available on some discs.
22. **SUBTITLE**
Press to toggle through available subtitle languages on current disk.
23. **STEP**
Press to view movie frame by frame.
24. **SEARCH**
Press to enter a specific time, title or chapter on current disk.

USING THE REMOTE CONTROL

The remote control is supplied with the battery installed, to start using please remove the plastic battery isolation tab.

When using the remote control, ensure that the remote is pointing towards the receiver on the front of the DVD player, as shown below.



Approximate working distance is 2 metres with a working angle of 30° left and right from centre.

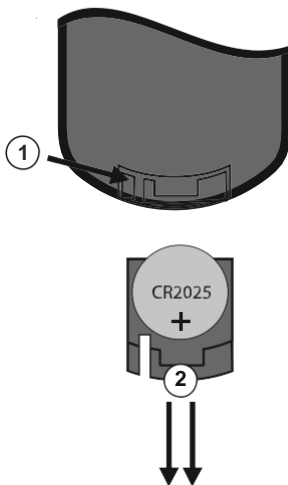
Note:

The remote control is only for use with the DVD player.
When using two remote controls with the NB7D-CAR or NB9D-CAR (two DVD players) try to avoid operating the second player by angling the remote control towards your DVD player only.

REMOTE CONTROL BATTERY REPLACEMENT

To replace the battery please follow given instructions and see diagram below.

1. Using a finger nail move the spring clip to the right and hold in that position.
2. Pull the battery tray away from the main body of the remote control.
3. Replace the battery with correct type (CR2025 3V) taking care that the positive (+) side is uppermost and not to touch the underside (negative). Push the battery tray back in to remote control body, making sure it is fully located.



Note:

1. Remove the battery to prevent possible leakage of fluid when not using for long periods of time (one month or more). if the battery does leak fluid, carefully wipe it out of the battery case and fit new battery.
2. The battery may present a risk of fire if mistreated. Do not recharge, disassemble or expose to heat greater than 100°.

Battery Recycling

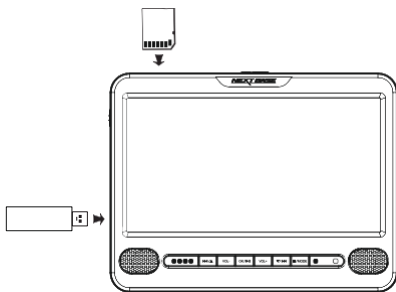
In accordance with Directive 2006/66/EC of the European Parliament you must dispose of your waste equipment and/or battery by handing it over to an applicable take-back scheme for the recycling of electronic equipment and/or battery.

For more information please contact your local household waste disposal office

MEDIA PLAYBACK

The CAR Series range of DVD players allow playback of video, photo and audio files from USB memory sticks and memory cards.

Insert the memory device as shown below, these can only be inserted fully when they are in the correct orientation, i.e. the memory card has contacts facing the front of the player as shown below.



Once a memory device is inserted, press the MODE button on the front of the DVD player or press SOURCE on the remote control and select Media, then USB or SD as required.

The folders / files stored on the memory device will be listed on screen, this may take a few seconds depending on how much content is stored on the memory device.

Use the navigation and ENTER buttons to open folders and select files as required.

Viewing Images

Once an image has been selected a slide show will begin of the images available within the selected directory.

Press the stop button during the slide show to open the preview screen, from here you can access the 'Menu' to view button functions available during slide show.

To continue select 'Slide Show' and press ENTER, alternatively select an image to start the slide show.

The slide show will automatically stop once images within the selected directory have been viewed.

Press ◀ to return to previous directory.

Music Playback

Once selected a music file (Mp3) will begin playback.

During playback use the play / pause buttons on the remote control or on the front of the DVD player as required.

Fast forward and rewind can be selected using the remote control.

Press ◀ to return to previous directory.

MEDIA PLAYBACK (CONTD.)

Movie Playback

Once a compatible video file (MPEG-2, DIVX4/5, AVI, XVID, JPG, MP3) has been selected playback will begin.

Should the file be of a format that is not supported (e.g. MPEG-4) an on screen message will appear saying 'CODEC NOT SUPPORTED'.

During playback, functions such as play / pause, fast forward, repeat, zoom etc. remain available.

Once playback is stopped press ◀ to return to previous directory.

VIDEO COMPRESSION FORMATS

Video Compression Formats

The use of the DivX encoder is recommended in order to compress movies and then play upon this player. Whilst there are many movie formats and compression software available, most use MPEG4 algorithms at their heart.

DivX is just one such MPEG4 compressor, but it is the most widely used and recognised by Sony, Panasonic and other manufacturers.

This device is capable of DivX playback in order to provide a reliable and consistent playback performance.

When using the official DivX encoder (download from www.DivX.com at a small charge) and always use the "Home Theatre" option for optimum compression and suitable playback quality upon the player. Maintain the 16:9 ratio for full screen viewing.

If your DivX movie is still unable to be played upon the DVD player then please change the file extension from .divx to .avi and re-try.

Use of other compression software, or the playback of other format files may have unreliable or unpredictable results and is not recommended.

WIRELESS HEADPHONES

The CAR Series range of portable DVD players have an in-built infra-red transmitter to allow wireless use of compatible headphones.

The transmitter is set to OFF by default and can be turned on by simply pressing the IR Headphone (Ω) button on the remote control.

Press once for 'Channel A'

Press twice for 'Channel B'

Press a third time to turn the IR transmitter OFF.

The IR transmitter can also be turned on through the SETUP menu as described later in this instruction manual.

Four red LED's will be visible on the DVD player when the transmitter has been turned on. These appear faint due to the nature of the transmitter and may be difficult to see in a bright environment.

This does not effect performance and is not a cause for concern.

There are two channels (A and B) available for transmission, this is to allow the two DVD players from NB7D-CAR / NB9D-CAR models to view different movies simultaneously and to transmit to two sets of headphones, listening to their individual moviesoundtracks.

Dual Channel Infra-Red Transmitter Frequencies

Channel A: Left 2.3Mhz, Right 2.8Mhz

Channel B: Left 3.2Mhz, Right 3.8Mhz

Single Player (NB7-CAR / NB9-CAR)

Set both DVD player and headphones to Channel A, multiple headphones can be used.

Player / Monitor (NB7T-CAR / NB9T-CAR)

Set both DVD player and headphones to Channel A, multiple headphones can be used.

Player / Player (NB7D-CAR / NB9D-CAR)

Set DVD Player A to IR channel A and the headphones to Channel A.

Set DVD Player B to IR channel B and the headphones to Channel B.

This allows the two movies to be watched and heard without interference.

When sharing across the two screens there is no need to adjust settings

The receiving channel selected on the headphones must match the transmitting channel on the DVD player.

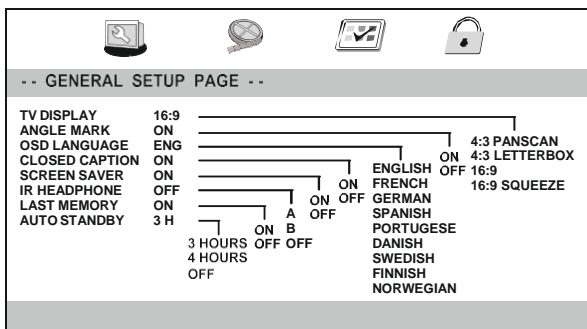
Contact your local NEXTBASE dealer to purchase compatible wireless headphones.



When using earphones listen at a reasonable volume for reasonable lengths of time.
Do not turn the volume so high that you cannot hear what is around you.

SYSTEM SETUP - GENERAL

Press SETUP on the remote control to access the system setup menus. Using the navigation buttons and enter button, select required option, press SETUP to exit.



TV DISPLAY

Select the aspect ratio of the playback image.

Default: 16:9

ANGLE MARK

Select the angle during playback.

Default: ON

OSD LANGUAGE

Select preferred language used for the DVD players on screen display.

Default: ENG

CLOSED CAPTION

Select whether to display the additional data that some discs contain during playback.

Default: ON

SCREEN SAVER

Turn Off / On the screen saver which appears on screen after a few minutes of inactivity.

Default: ON

IR HEADPHONE

Turn on and select required channel for the IR transmitter.

Default: OFF

LAST MEMORY

Turn Off / On the last memory function.

Default: ON

AUTO STANDBY

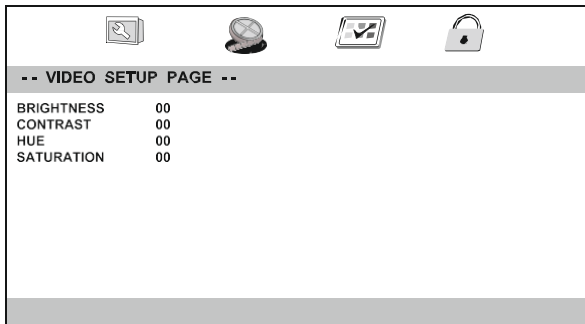
Turn Off / On the auto standby function.

Default: 3 H

Some functions and features may depend on disc content and therefore may not be available.

SYSTEM SETUP - VIDEO

Video Setup Page



BRIGHTNESS

Adjust the brightness to best suit viewing environment.

Default: 00

CONTRAST

Adjust the contrast to best suit viewing environment.

Default: 00

HUE

Adjust the hue to best suit viewing environment.

Default: 00

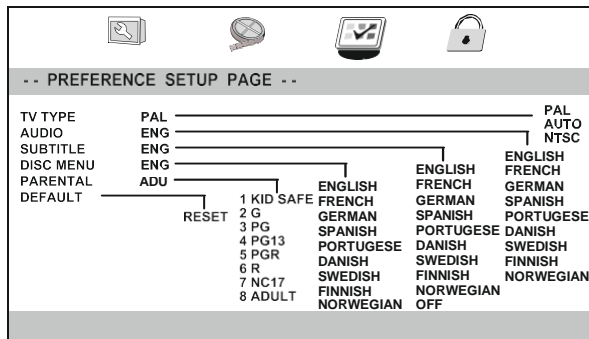
SATURATION

Adjust the saturation to best suit viewing environment.

Default: 00

SYSTEM SETUP - PREFERENCES

Preference Page



TV TYPE

Select the TV type for when DVD player is used with a television.

Default: PAL

AUDIO

Select the preferred audio language.

Default: ENG

SUBTITLE

Select the preferred subtitle language or turn subtitles off.

Default: ENG

DISC MENU

Select the preferred disc language.

Default: ENG

PARENTAL

Select the required parental control level to prevent minors from viewing unsuitable content.

The default setting is ADULT which allows all content. To change this setting, select required option and enter password (see Password Setup information on next page). Once the 4 digit password has been selected successfully OK will change to yellow, press ENTER to return to the preference menu. The selected parental control will be highlighted.

DEFAULT

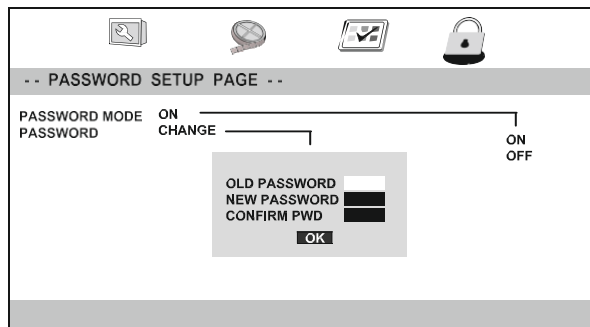
Select RESET and press ENTER to return DVD player to default settings.

This will not reset parental control or password had these previously been changed.

Some functions and features may depend on disc content and therefore may not be available.

SYSTEM SETUP - PASSWORD

Password Setup Page



PASSWORD MODE

Turn Off / On the requirement to enter a password when selecting the Parental Control level.

Default: ON

PASSWORD

Change the default password '1234' to one of your choice.

This new password will now be used for changing parental control, unless password mode has been turned off.

Note:

A master password of '1369' will always remain functioning in event of password being forgotten.

PRODUCT SPECIFICATION

| | |
|------------------------------------|--|
| Compatible Disc Types | DVD / SVCD / VCD / DVD±R / DVD±RW / CD / CD-R CD-RW / Kodak Picture CD / MP3 CD |
| Compatible Media Formats | MPEG-2, DIVX4/5, AVI, XVID, JPG, MP3 |
| LCD Panel Size | CAR 7 Series: 7" CAR 9 Series: 9" |
| LCD Screen Ratio | 16:9 |
| LCD Panel Resolution | CAR 7 Series: 480 x 234 x RGB CAR 9 Series: 800 x 480 x RGB |
| Car Power Cable | Input: 12VDC (NOT FOR USE WITH 24VDC) Output: 12VDC 1A Fuse Type: 20mm 3A |
| Mains Adaptor (sold separately) | Input:100-240V 50-60Hz Output: 9VDC 1A |
| Operating Range | 9 - 15.6VDC |
| Power Consumption | <10W |
| Inputs | Optical Disk Drive 3.5mm Audio / Video socket USB Interface - Memory Stick use only (upto 16GB) Card Reader - SD, SDHC, MMC (upto 16Gb) |
| Outputs | 9VDC Out Socket 3.5mm Audio / Video socket 3.5mm Stereo Headphone socket 2 x 1.5W Stereo Speakers Dual Channel Infra-Red Transmitter Channel A Left 2.3Mhz, Right 2.8Mhz Channel B Left 3.2Mhz, Right 3.8Mhz |
| Remote Control Battery Type | Type: Lithium Cell Rating: 3V Model: Cr2025 |
| Dimensions | CAR 7 Series Player: 189 x 144 x 37mm (W/H/D) CAR 7 Series Monitor: 189 x 144 x 21mm (W/H/D) CAR 9 Series Player: 224 x 168 x 37mm (W/H/D) CAR 9 Series Monitor: 224 x 168 x 21mm (W/H/D) |
| Weight | CAR 7 Series Player: 320g CAR 7 Series Monitor: 220g CAR 9 Series Player: 420g CAR 9 Series Monitor: 320g |

SMASHED SCREEN IDENTIFICATION

A Liquid Crystal Display (LCD) Screen is a multilayer complex component.

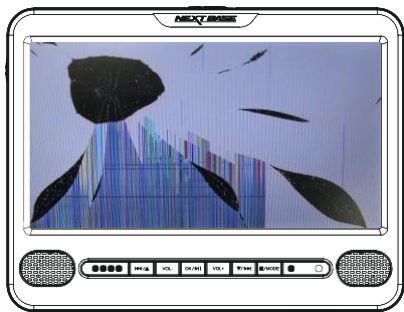
Under the tough outer plastic layer, the glass sandwich beneath holds the LCD crystals in place, which are themselves suspended in fluid. In the unfortunate event of an accident, particularly a sharp localized impact, the glass will break. The tough plastic outer sheet on the surface of the glass keeps all the glass intact underneath preventing shards from falling out. This is a specific safety feature, particularly implemented for the younger users and also for in-car use.

The broken glass normally shows signs of the impact mark and also cracks radiating away. The resultant fluid leakage renders the panel inoperable.

Symptoms are often a dark round mark, a white screen without picture and maybe some multi-coloured lines. Depending on the individual break, an element of the image may remain for a while, but not for long, as the fluid leaks away. Some inky black staining may also appear upon the crack lines, as the fluid escapes.

Unfortunately a break of this nature is not covered under the manufacturers warranty as it is accidental damage to the product, rather than an original defect from manufacture.


Please see below for a sample image of a broken LCD panel for reference. Replacement panels can however be installed by the NEXTBASE product support centre after contacting them directly. See www.nextbase.co.uk for details.



PIXEL STATEMENT

The LCD screen contains 1,152,000 pixels (9" products). Pixels can however fail during normal product life. 1 pixel = 0.00009% failure rate, one pixel failure per year of operation is considered normal and not a cause for concern.

TROUBLE SHOOTING

| Problem | Solution |
|---|---|
| DVD player will not work. | Apply power to the DVD player by using the supplied car power cable. Check DVD player On / Off switch is in the On position. Check the fuse within the car power cable, see page 19. Check the power LED indicator is illuminated on the DVD player, if not then the car power cable or DC IN socket may have been damaged, please contact your local NEXTBASE dealer for further information. |
| The DVD player has blank screen and will not operate even though switch is in the ON position. | The DVD player will be in Auto-Standby shutdown. Using the ON / OFF switch turn off and on, normal operation should be available. The Auto-Shutdown function can be turned off in the setup menu. |
| The disc will not play. | The disc may be damaged or dirty, clean the disc and try once more. If the disc will still not play try another. Poor playback may be caused by dirt on the laser lens, use a clean, dry cotton bud (add pure alcohol sparingly if available) and wipe the cotton bud across the lens VERY gently, the lens is held by spring suspension, so be very careful. |
| The picture is pixilated or distorted. | The disc may be damaged or dirty, clean the disc and try once more. If the disc will still not play, try another. |
| No picture. | Check that the screen is closed firmly. Check the smashed screen identification information. Check the DVD player is in DVD mode. |
| Lines on the screen. | Check the smashed screen identification page. Any permanent diagonal lines are indication of breakage. The screen glass does NOT fall out, as this is a safety feature. |
| The  icon appears on screen. | The requested operation is not allowed at this time. |
| Can't advance through a movie. | You can't advance through the opening credits and copyright warnings at the beginning of a movie as the disk is programmed to prevent this. |
| No sound or distorted sound. | Turn the volume UP on the remote control. Ensure that the MUTE key has not been pressed. Advance the movie to a section where sound should be heard. Press the AUDIO button on the remote control to choose an alternative. |
| No sound from the speakers. | Check the player by using headphones. If these are working normally then the headphone connector is damaged and needs repairing. |

TROUBLE SHOOTING (CONTD.)

| Problem | Solution |
|--|--|
| Monitor will not work. | <p>Turn monitor power switch to ON. Always supply power to the monitor from the DVD Player, using the audio/video/power connection cable supplied with the product Ensure that the power is applied to the DVD player using the supplied car power cable. Check the fuse within the car power cable, see page 19.</p> |
| Monitor shows no audio or video image. | <p>Check the AVP connection cable between DVD player and monitor is connected correctly and plugs are fully inserted. Check for power to the monitor, see earlier section.</p> |
| Second DVD player in a NB7D-CAR / NB9D-CAR system does not show the image from the other DVD player. | <p>Press MODE on the front of the DVD player or SOURCE on the remote control and make sure the DVD player that has the disc is in is set to DVD mode and that the second player is in AV IN mode. Check the AVP connection cable between the two DVD players is connected correctly and plugs are fully inserted. Check the power cables are working as above.</p> |
| USB media will not play. | <p>Video, Music and Photo's may not be of the correct format. Ensure that any video recording is an official DivX type. (See earlier in manual) Music, MP3 and Photo JPEG formats. Use only USB sticks plugged directly to the USB socket and formatted in FAT 32. Check MODE is set to MEDIA. Check media device is not damaged. Change files with a '.divx' extension to '.avi'.</p> |
| SD/MMC Card media will not play. | <p>Video, Music and Photo's may not be of the correct format. Ensure that any video recording is an official DivX type. (See earlier in manual) Music, MP3 and Photo JPEG formats. Check MODE is set to MEDIA. Check SD/MMC card is inserted correctly and is not damaged. Change files with a '.divx' extension to '.avi'.</p> |

NEXT BASE

www.nextbase.co.uk



NBCAR-S-IM-ENG-A1