

# UNIVERSAL ISU200

Technical Sheet

## Woofer

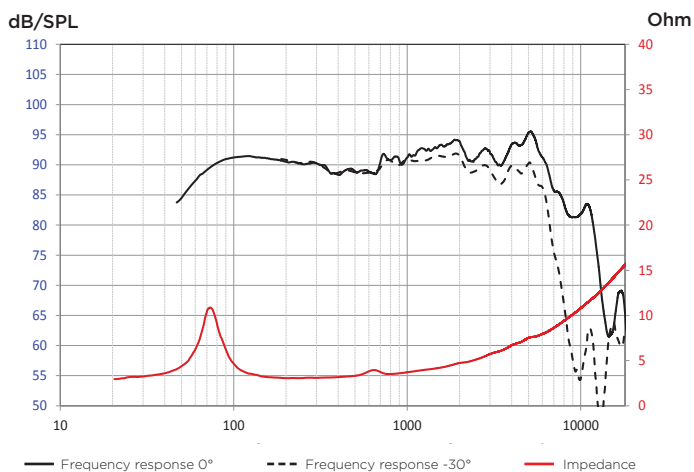


- Polyglass cone
- Reduced height

## SPECIFICATIONS

Nominal power	80W RMS	
Maximum power	160W	
Sensitivity (2,83V/1m)	93dB	
Frequency response	40Hz-21kHz	
Cone type	Polyglass	
Surround type	Butyl	
Nom. impedance	4Ω	
VC diameter	25mm	1"
Net weight	1.05kg	2.3lbs

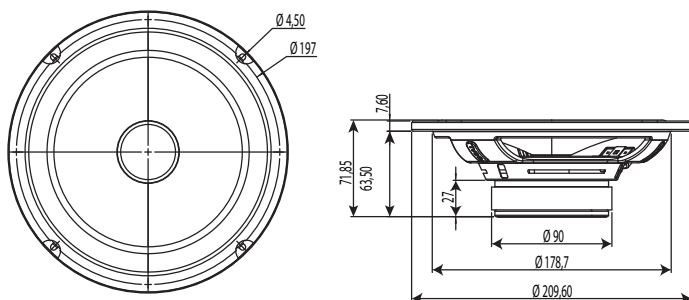
## FREQUENCY RESPONSE/IMPEDANCE



## PARAMETERS

Fs	73Hz
Vas	13l
Qts	1.1
Qes	1.5
Qms	4.5
Re	2.9Ω
Sd	213cm <sup>2</sup>
Cms	0.2mm/N
Mms	23g
Bl	4.5N/A

## MECHANICAL DRAWING



**Integration**  
INSTANT GRATIFICATION