

**CLASS D MONO AMPLIFIER**

**AMPLIFICATEUR MONO DE CLASSE D**

---

# Owner's Manual

# PRS-D2000SPL

**Mode d'emploi**

ENGLISH

ESPAÑOL

DEUTSCH

FRANÇAIS

ITALIANO

NEDERLANDS

РУССКИЙ

<b>Before Using This Product</b> .....	<b>1</b>
Product registration .....	1
In case of trouble .....	2
About This Product .....	2
CAUTION .....	2
WARNING .....	2
<b>Setting the Unit</b> .....	<b>3</b>
MODE SELECT Switch .....	3
Bass Boost Frequency Control .....	3
Bass Boost Level Control .....	3
Terminal Cover .....	3
Cut Off Frequency Control for LPF .....	3
Gain Control .....	4
BFC (Beat Frequency Control) Switch .....	4
HEAT Indicator .....	4
PROTECT Indicator .....	4
Power Indicator .....	4
Subsonic Select Switch .....	4
Setting the Gain properly .....	5
<b>Connecting the Unit</b> .....	<b>6</b>
Connection Diagram .....	7
Solderless Terminal Connections .....	8
Connecting the Speaker Output Terminals .....	8
Connecting the Power Terminal .....	9
Setting the Gain for synced amplifier .....	10
Connecting the Speaker Wires .....	10
<b>Installation</b> .....	<b>15</b>
Attaching the Bass boost remote control .....	15
Example of installation on the floor mat or on the chassis .....	16
Replacing the terminal cover .....	16
Changing the Direction of the Badge .....	16
<b>Additional information</b> .....	<b>17</b>
Troubleshooting .....	17
<b>Specifications</b> .....	<b>18</b>

Thank you for purchasing this PIONEER product. Before attempting operation, be sure to read this manual.



If you want to dispose this product, do not mix it with general household waste. There is a separate collection system for used electronic products in accordance with legislation that requires proper treatment, recovery and recycling.

Private households in the 25 member states of the EU, in Switzerland and Norway may return their used electronic products free of charge to designated collection facilities or to a retailer (if you purchase a similar new one).

For countries not mentioned above, please contact your local authorities for the correct method of disposal.

By doing so you will ensure that your disposed product undergoes the necessary treatment, recovery and recycling and thus prevent potential negative effects on the environment and human health.

## Product registration

Visit us at the following site:

  
[www.pioneer.co.uk](http://www.pioneer.co.uk)

Register your product. We will keep the details of your purchase on file to help you refer to this information in the event of an insurance claim such as loss or theft.

## In case of trouble

---

When the unit does not operate properly, contact your dealer or the nearest authorized PIONEER Service Station.

## About This Product

---

This product is a class D amplifier for the subwoofer. If both L (left) and R (right) channels are connected to the RCA input of this product, output is mixed because this product is a mono amplifier.

## CAUTION

---

- Never replace the fuse with one of greater value or rating than the original fuse. Use of an improper fuse could result in overheating and smoke and could cause damage to the product and injury including burns.
- Use the supplied hexagonal wrench to tighten screws when fastening wires to the terminal or when changing the direction of the badge. The use of a long, commercially available hexagonal wrench can cause excessive torque to be applied possibly resulting in damage to terminals and wires.

## WARNING

---

- Always use the recommended battery wire and ground wire, which is sold separately. Connect the battery wire directly to the car battery positive terminal (+) and the ground wire to the car body.
- Do not touch the amplifier with wet hands. Otherwise you may get an electric shock. Also, do not touch the amplifier when it is wet.
- For traffic safety and to maintain safe driving conditions, keep the volume low enough so that you can still hear normal traffic sound.
- Check the connections of the power supply and speakers if the fuse of the separately sold battery wire or the amplifier fuse blows. Detect the cause and solve the problem, then replace the fuse with another one of the same size and rating.
- To prevent malfunction of the amplifier and subwoofer, the protective circuit will cut the power supply to the amplifier (sound will stop) when an abnormal condition occurs. In such a case, switch the power to the system OFF and check the connection of the power supply and subwoofer. Detect the cause and solve the problem.
- Contact the dealer if you cannot detect the cause.
- To prevent an electric shock or short-circuit during connection and installation, be sure to disconnect the negative (-) terminal of the battery beforehand.
- Confirm that no parts are behind the panel when drilling a hole for installation of the amplifier. Be sure to protect all cables and important equipment such as fuel lines, brake lines and the electrical wiring from damage.
- DO NOT allow amplifier to come into contact with liquids due to, for example, the location where the amplifier is installed. Electrical shock could result. Also, amplifier and speaker damage, smoke, and overheating could result from contact with liquids. In addition, the amplifier surface and the surface of any attached speakers could become hot to the touch and minor burns could result.

# Setting the Unit

## MODE SELECT Switch

You can select amplifier's sync mode from MASTER, SYNC and SYNC INV. Set the MODE SELECT switch to the MASTER position when using one amplifier only. When using synchronously connecting two or more of these amplifiers in combination, set the first amplifier to MASTER, and set the remaining amplifiers to SYNC or SYNC INV according to the manner in which they are connected. The only time the amplifier is switched to the SYNC INV mode is when amplifiers are synchronously connected with the ex. bridge.

When switching to the SYNC or SYNC INV mode, remove the screw and stopper. Remove the screw and stopper after checking that connections are correct. See the "Connecting the Speaker Wires" section for details on the MODE SELECT switch.

## Bass Boost Frequency Control

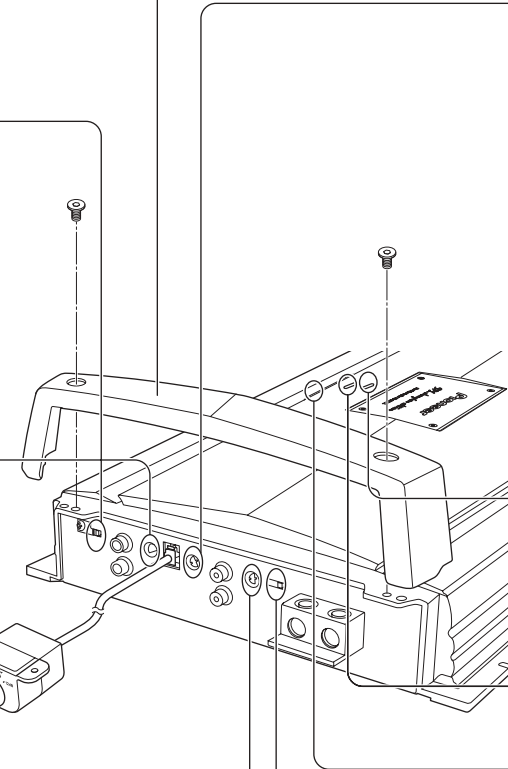
You can select a bass boost frequency from 40 Hz to 120 Hz with the bass boost control.

## Bass Boost Level Control

You can select a bass boost level from 0, 6, 9 and 12 dB. For instruction of connecting the bass boost remote control to the amplifier, see the "Connection Diagram" section.

## Terminal Cover

Before setting up the unit, unfasten the screws with a 4 mm hexagonal wrench and remove the terminal cover.



## Cut Off Frequency Control for LPF

You can select a cut off frequency from 40 Hz to 240 Hz.

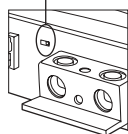
## Gain Control

If the sound level is too low, even when the volume of the car stereo used along with this power amplifier is turned up, turn gain control clockwise. If the sound distorts when the volume is turned up, turn the gain control counter-clockwise.

- When using with an RCA equipped car stereo (standard output of 500 mV), set to the NORMAL position. When using with an RCA equipped Pioneer car stereo with max. output of 4 V or more, adjust level to match the car stereo output level.
- For synced amplifier's gain control, see the "Setting the Gain for synced amplifier" section.

## BFC (Beat Frequency Control) Switch

If you hear a beat while listening to an MW/LW broadcast with your car stereo, change the BFC switch using a small standard tip screwdriver.



## HEAT Indicator (Yellow)

This indicates a problem with the amplifier. See the "Troubleshooting" section on page 17 for details.

## PROTECT Indicator (Red)

This indicates a problem with the amplifier. See the "Troubleshooting" section on page 17 for details.

## Power Indicator (Blue)

The power indicator lights when the power is switched on.

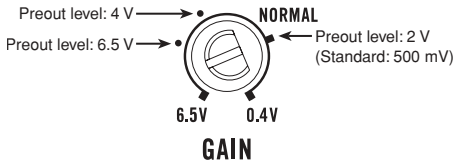
## Subsonic Select Switch

The subsonic filter cuts inaudible frequencies below 20 Hz to eliminate unwanted vibrations and minimize power loss.

## Setting the Gain properly

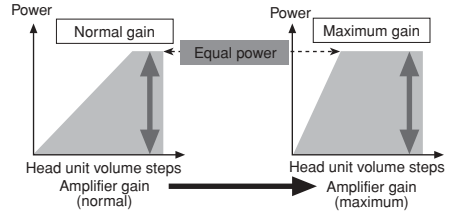
- This unit is equipped with a protective function to prevent malfunction of the unit itself and speakers from too much output, improper use or improper connection.
- When outputting sound at high volume etc., this function will cut off the sound output in a few seconds. But this is not a malfunction. When you turn down the volume of the head unit the sound output will be restored.
- If sound output is cut, the gain control of this unit may be improperly set. To ensure continuous sound output at increased volume of the head unit, set the gain control of the amplifier to a proper position according to the preout maximum output level of the head unit.

## Gain Control of This Unit



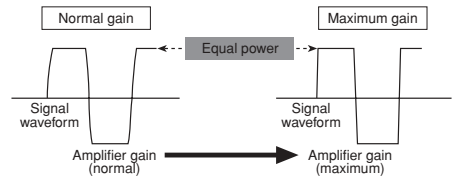
There is no need to decrease the volume of the head unit and too much output is controlled.

## Relationship between the gain of the amplifier and the output power of the head unit



- If you raise the gain of the amplifier to an improper level, only distortion is increased and the power increases only slightly.

## Signal waveform when outputting at high volume by the gain control of the amplifier



- With high output the signal waveform is distorted, if you raise the gain of the amplifier the power changes only slightly.
- If you decrease the volume of the head unit and set the gain control of the amplifier to the proper position but still the sound cuts out from time to time, contact the nearest authorized PIONEER Service Station.

## CAUTION

- Disconnect the negative (–) terminal of the battery to avoid the risk of short-circuit and damage to the unit.
- Secure the wiring with cable clamps or adhesive tape. To protect the wiring, wrap adhesive tape around it where they lie against metal parts.
- Do not route wires where they will get hot, for example where the heater will blow over them. If the insulation heats up, it may become damaged, resulting in a short-circuit through the vehicle body.
- The amplifier increases the load on the battery and charging system. Make sure that the vehicle's alternator and battery have sufficient capacity for this amplifier. The use of a heavy-duty battery, parallel connection of ordinary batteries or an energy storage capacitor is recommended.

## CAUTION

### To prevent damage and/or injury

- Do not ground the speaker wire directly or connect a negative (–) lead wire for several speakers.
- This unit is for vehicles with a 12-volt battery and negative grounding. Before installing it in a recreational vehicle, truck or bus, check the battery voltage.
- If the car stereo is kept on for a long time while the engine is at rest or idling, the battery may go dead. Turn the car stereo off when the engine is at rest or idling.
- If the system remote control wire of the amplifier is connected to the power terminal through the ignition switch (12 V DC), the amplifier will always be on when the ignition is on— regardless of whether the car stereo is on or off. Because of this, the battery could go dead if the engine is at rest or idling.
- DO NOT connect a subwoofer with a lower impedance than specified in the “Connecting the Speaker Wires” section. Amplifier damage, smoke, and overheating could result from a non-specified connection. The amplifier surface could also become hot to the touch and minor burns could result.

- Make sure that wires will not interfere with moving parts of the vehicle, such as the gearshift, handbrake or seat sliding mechanism.
- Do not shorten any wires. Otherwise the protection circuit may fail to work when it should.
- Never feed power to other equipment by cutting the insulation of the power supply wire to tap from the wire. The current capacity of the wire will be exceeded, causing overheating.
- Never replace the fuse with one of greater value or rating than the original fuse. Use of an improper fuse could result in overheating and smoke and could cause damage to the product and injury including burns.

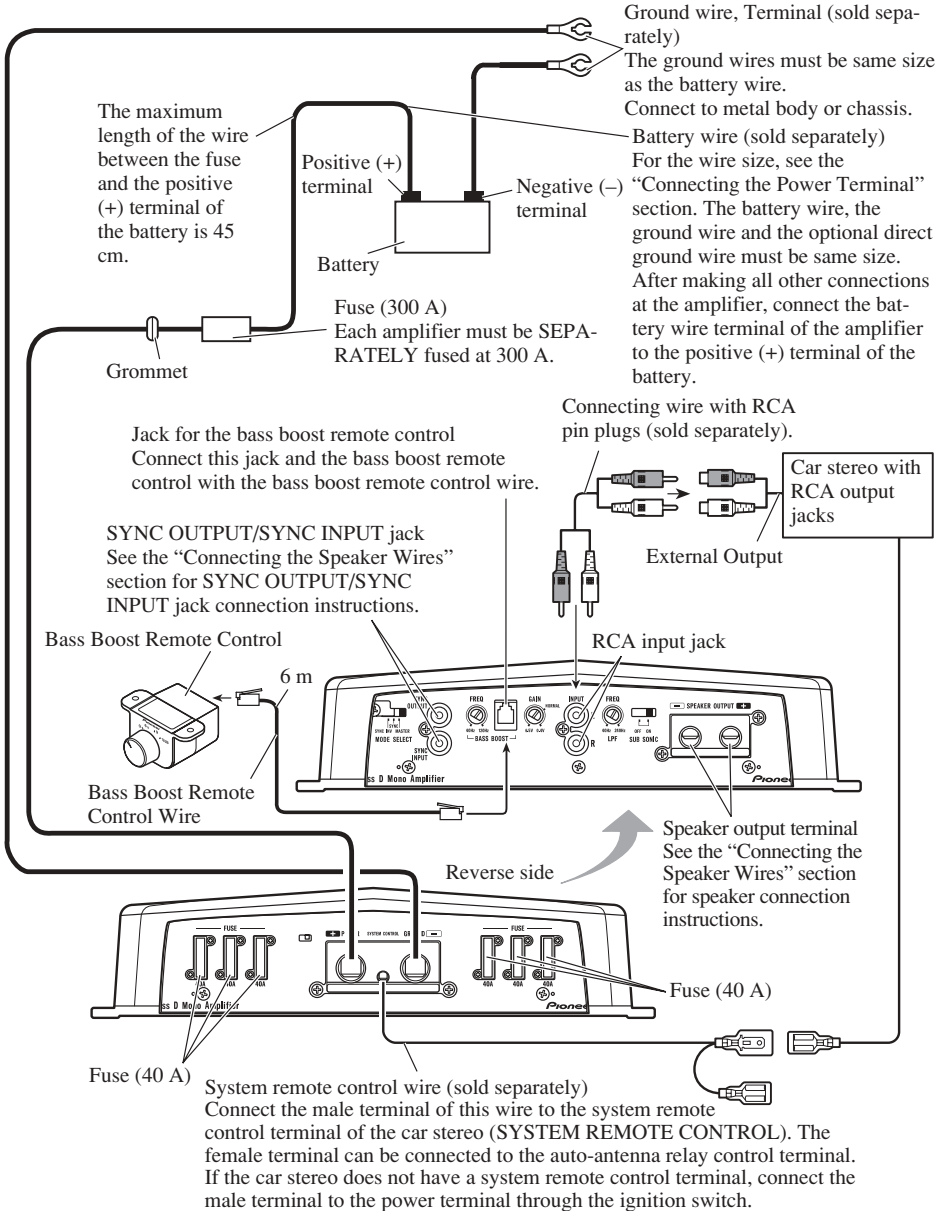
- Connect either of three subwoofers to the amplifier; 1: a subwoofer with a 750 W or larger nominal input and an impedance 4 Ω, 2: a subwoofer with a 1 500 W or larger nominal input and an impedance 2 Ω or 3: a subwoofer with a 2 000 W or larger nominal input and an impedance 1 Ω. If the nominal input and impedance are out of the above ranges, the subwoofer may catch fire, emit smoke or become damaged.
- Install and route the separately sold battery wire as far away as possible from the speaker wires. Install and route the separately sold battery wire, ground wire, speaker wires and the amplifier as far away as possible from the antenna, antenna cable and tuner.

- Cords for this product and those for other products may be different colors even if they have the same function. When connecting this product to another product, refer to the supplied manuals of both products and connect cords that have the same function.

# Connecting the Unit

## Connection Diagram

- In the case of connecting the external output from a car stereo to an RCA input, use the jack used for full-range output. This is because the LPF of the amplifier cannot be turned OFF. If this jack cannot be used, connect the subwoofer output jack to the RCA input.





## Solderless Terminal Connections

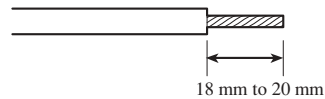
- Since the wire will become loose over time, it must be periodically inspected and tightened as necessary.
- Do not solder or bind the ends of the twisted wires.
- Fasten while making sure to not to clamp the insulating sheath of the wire.
- Use the supplied hexagonal wrench to tighten and loosen the terminal screw of the amplifier. Securely fasten the wire with the terminal screw. However, since excessively tightening the terminal screw of the System remote control has the risk of damaging the wire, be careful not to tighten excessively by observing the status of the wire when tightening.

## Connecting the Speaker Output Terminals

### Speaker Wire Size

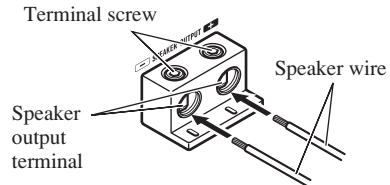
Wire Length	less than 4.3 m	less than 6.4 m	less than 10.7 m
Wire Size	8 AWG	6 AWG	4 AWG

1. Expose the end of the speaker wires using nippers or a cutter by about 18 mm to 20 mm.



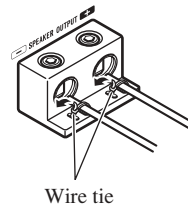
2. Connect the speaker wires to the speaker output terminals.

- Fix the speaker wires securely with the terminal screws.



3. Put the wire ties in the slits and wrap the wire ties around the wires.

- Wrap the wire tie around the wire insulation, not the stripped wire.
- Cut off any excess portions of the wire ties.



## Connecting the Power Terminal

- Always use the recommended battery and ground wire, which is sold separately. Connect the battery wire directly to the car battery positive terminal (+) and the ground wire to the car body.
- Recommended wires size (AWG: American Wire Gauge) is as follows. The battery wire, the ground wire and the optional direct ground wire must be same size.
- Use a 10 AWG to 20 AWG wire for the system remote control wire.

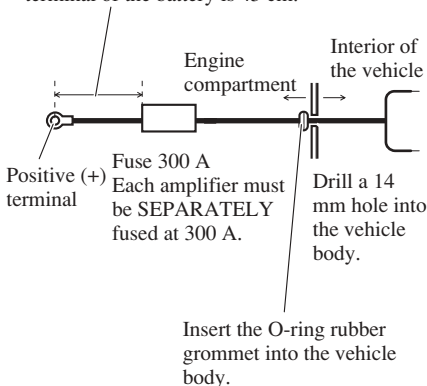
### Battery Wire and Ground Wire Size

Wire Length	less than 2.1 m	less than 3.6 m	less than 5.2 m	less than 6.4 m
Wire Size	4 AWG	2 AWG	1 AWG	0 AWG

### 1. Pass the battery wire from the engine compartment to the interior of the vehicle.

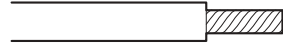
- After making all other connections to the amplifier, connect the battery wire terminal of the amplifier to the positive (+) terminal of the battery.

The maximum length of the wire between the fuse and the positive (+) terminal of the battery is 45 cm.



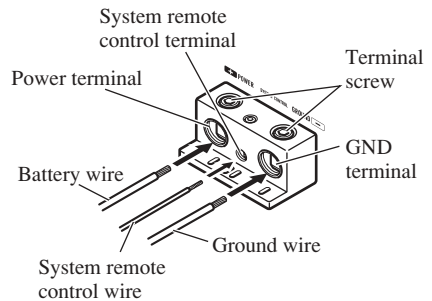
### 2. Expose the end of wires using nippers or a cutter.

- Battery wire, ground wire: 23 mm to 25 mm
- System remote control wire: 14 mm to 16 mm



### 3. Connect the wires to the terminal.

- Fix the wires securely with the terminal screws.

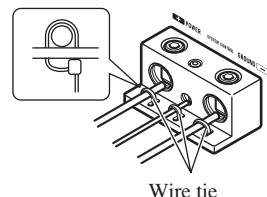


### ! WARNING

Failure to securely fasten the battery wire to the terminal using the terminal screws could cause the terminal area to overheat and could result in damage and injury including minor burns.

### 4. Put the wire ties in the slits and wrap the wire ties around the wires.

- Wrap the wire tie around the wire insulation, not the stripped wire.
- Cut off any excess portions of the wire ties.



## Setting the Gain for synced amplifier

---

After connecting the speaker wires, adjust each synced amplifier's gain control. All synced amplifiers follow the master amplifier's settings.

### Quick Setup of the Gain

Set each synced amplifier's gain control to the NORMAL position. This setting will balance output volumes sufficiently for most applications.

### Advanced Setup of the Gain

Starting with the master amplifier, adjust the gain control on each amplifier in order.

1. Output sin wave through this system at low output level.
2. Use volt meter to measure the master amplifier's output voltage level.
3. Use volt meter to measure the synced amplifier's output voltage level.
4. Match the synced amplifier's output to the master's output using the gain control on the synced amplifier.
5. Repeat for the each synced amplifier in the proper order.

## Connecting the Speaker Wires

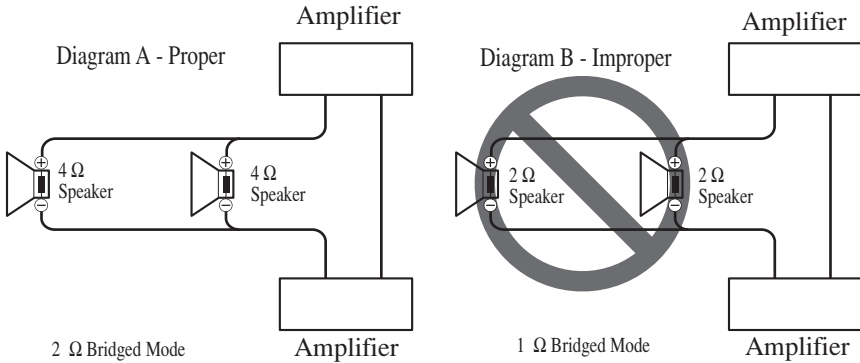
---

Connect the speaker leads and set MODE SELECT switch to suit the configuration according to the figures shown below and the next page.

- When synchronously connecting two or more amplifiers in combination, only use these amplifiers. Do not mix these amplifiers with other amplifiers.
- When synchronously connecting two or more amplifiers in combination, set the gain control, subsonic select switch, cut off frequency control for LPF and bass boost control on the amplifier that has been set to MASTER with the MODE SELECT switch. These settings except for the gain control are inactive on an amplifier which has been set to SYNC or SYNC INV. For details concerning the gain control operation, see the "Setting the Gain for synced amplifier".

# Connecting the Unit

## ⚠ CAUTION



DO NOT install or use this amplifier by wiring speakers rated at 2 Ω (or lower) in parallel to achieve a 1 Ω (or lower) bridged mode (Diagram B).

Amplifier damage, smoke, and overheating could result from improper bridging. The amplifier surface could also become hot to the touch and minor burns could result.

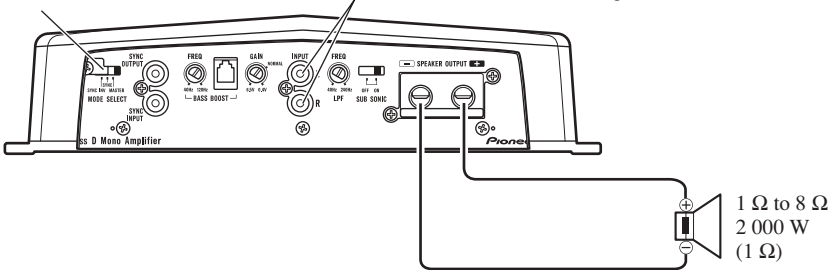
To properly install or use a bridged mode and achieve a 2 Ω load, wire two 4 Ω speakers in parallel with Left + and Right – (Diagram A) or use a single 2 Ω speaker.

In addition, refer to the speaker instruction manual for information on the correct connection procedure.

## Single Amplifier

MODE SELECT switch must be in MASTER position.

Connect to a car stereo.  
For details, see the “Connection Diagram”.



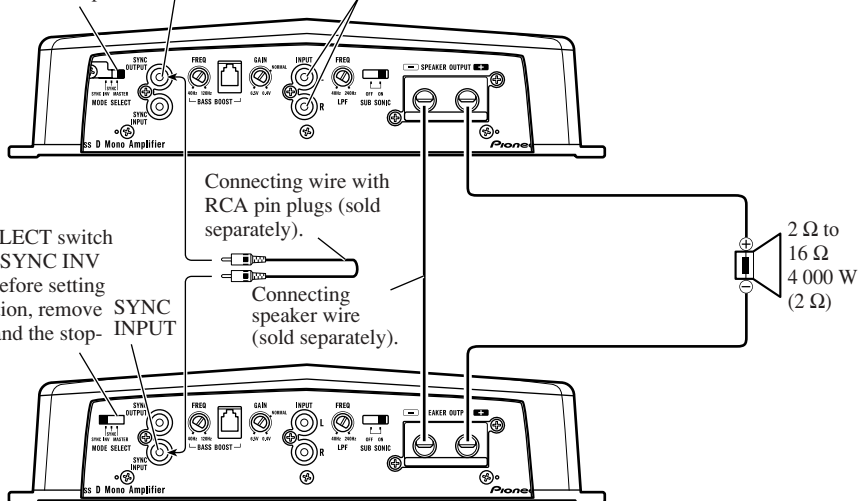
- Use speakers having an impedance from 1 Ω to 8 Ω.

## Two Amplifier (Ex. Bridge)

MODE SELECT switch must be in MASTER position.

SYNC OUTPUT

Connect to a car stereo.  
For details, see the "Connection Diagram".



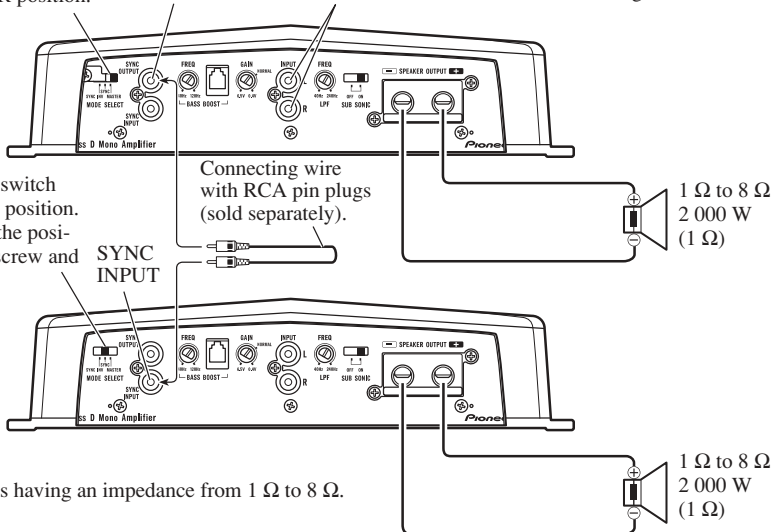
- Only use speakers having an impedance of 2 Ω to 16 Ω. In addition, in the case of connecting multiple speakers with a bridge, check that the synthetic impedance is at least 2 Ω.

## Two Amplifier

MODE SELECT switch must be in MASTER position.

SYNC OUTPUT

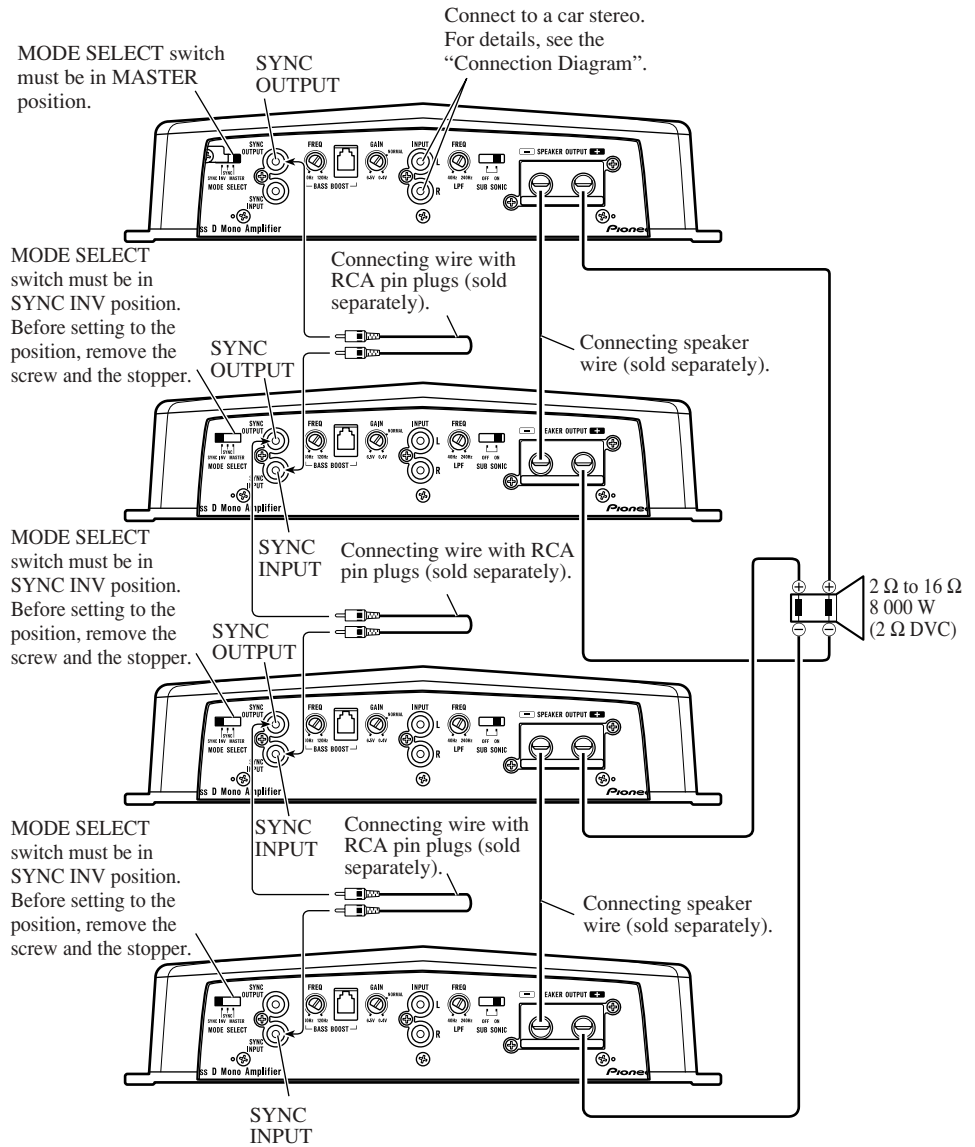
Connect to a car stereo.  
For details, see the "Connection Diagram".



- Use speakers having an impedance from 1 Ω to 8 Ω.

# Connecting the Unit

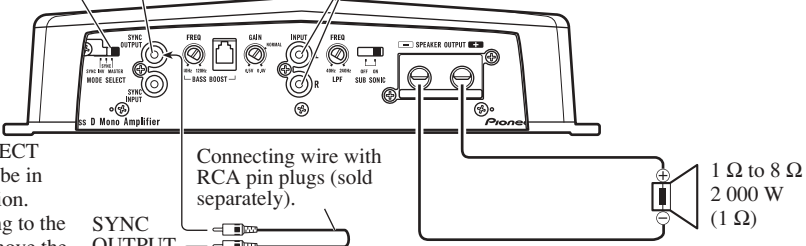
## Four Amplifier (Ex. Bridge)



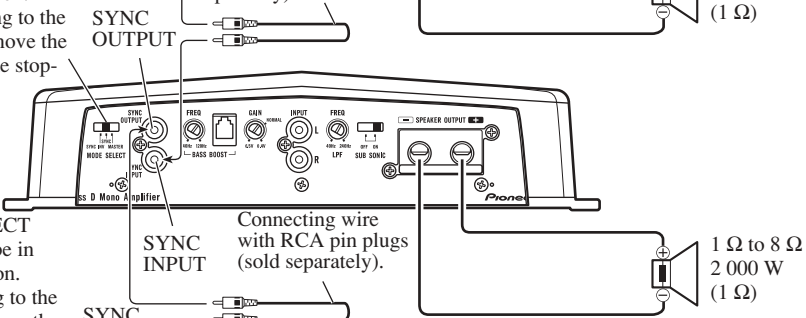
- Only use speakers having an impedance of 2 Ω to 16 Ω. In addition, in the case of connecting multiple speakers with a bridge, check that the synthetic impedance is at least 2 Ω.

## Four Amplifier

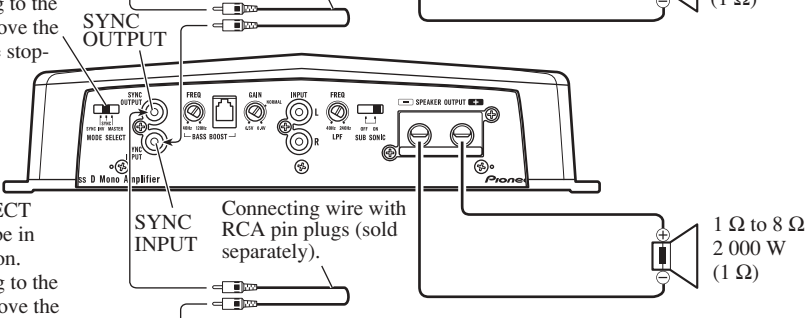
MODE SELECT switch must be in MASTER position.  
 SYNC OUTPUT  
 Connect to a car stereo.  
 For details, see the "Connection Diagram".



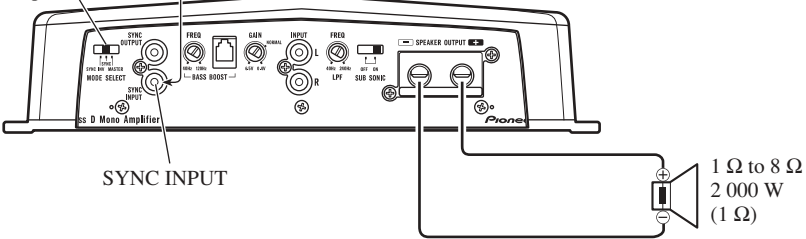
MODE SELECT switch must be in SYNC position.  
 Before setting to the position, remove the screw and the stopper.



MODE SELECT switch must be in SYNC position.  
 Before setting to the position, remove the screw and the stopper.



MODE SELECT switch must be in SYNC position.  
 Before setting to the position, remove the screw and the stopper.



- Use speakers having an impedance from 1 Ω to 8 Ω.

## ⚠ CAUTION

- Do not install in:
  - Places where it could injure the driver or passengers if the vehicle stops suddenly.
  - Places where it may interfere with the driver, such as on the floor in front of the driver's seat.
- Make sure that wires are not caught in the sliding mechanism of the seats, resulting in a short-circuit.
- Confirm that no parts are behind the panel when drilling a hole for installation of the amplifier. Protect all cables and important equipment such as fuel lines, brake lines and electrical wiring from damage.
- Install tapping screws in such a way that the screw tip does not touch any wire. This is important to prevent wires from being cut by vibration of the car, which can result in fire.
- DO NOT allow amplifier to come into contact with liquids due to, for example, the location where the amplifier is installed. Electrical shock could result. Also, amplifier and speaker damage, smoke, and overheating could result from contact with liquids. In addition, the amplifier surface and the surface of any attached speakers could become hot to the touch and minor burns could result.
- To ensure proper installation, use the supplied parts in the manner specified. If any parts other than the supplied ones are used, they may damage internal parts of the amplifier, or they may become loose causing the amplifier to shut down.
- Never replace the fuse with one of greater value or rating than the original fuse. Use of an improper fuse could result in overheating and smoke and could cause damage to the product and injury including burns.

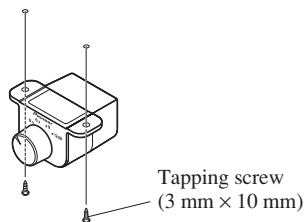
## ⚠ CAUTION

### To prevent malfunction and/or injury

- To ensure proper heat dissipation of the amplifier, be sure of the following during installation.
  - Allow adequate space above the amplifier for proper ventilation.
  - Do not cover the amplifier with a floor mat or carpet.
- DO NOT allow amplifier to come into contact with liquids due to, for example, the location where the amplifier is installed. Electrical shock could result. Also, amplifier and speaker damage, smoke, and overheating could result from contact with liquids. In addition, the amplifier surface and the surface of any attached speakers could become hot to the touch and minor burns could result.
- Do not install the amplifier on unstable places such as the spare tire board.
- The best location for installation differs with the car model and installation location. Secure the amplifier at a sufficiently rigid location.
- Make temporary connections first and check that the amplifier and the system operate properly.
- After installing the amplifier, confirm that the spare tire, jack and tools can be easily removed.

## Attaching the Bass boost remote control

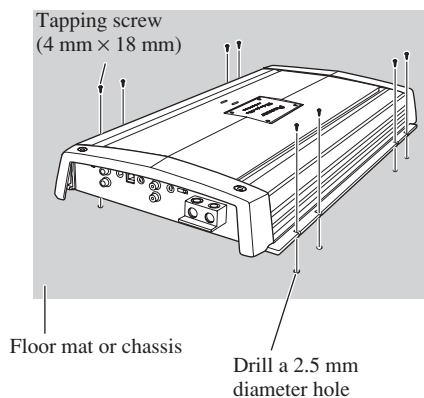
Attach with tapping screws (3 mm × 10 mm) at an easily accessible location such as under the dashboard.





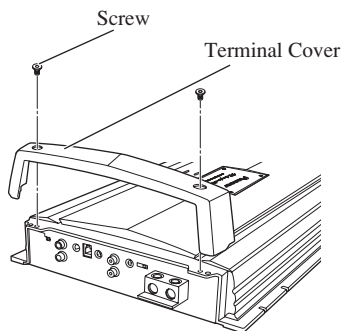
## Example of installation on the floor mat or on the chassis

1. Place the amplifier where it is to be installed. Insert the supplied tapping screws (4 mm × 18 mm) into the screw holes. Push on the screws with a screwdriver so they make marks where the installation holes are to be located.
2. Drill 2.5 mm diameter holes at the point marked, and install the amplifier, either on the carpet or directly to the chassis.



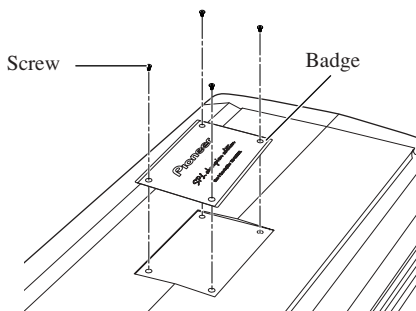
## Replacing the terminal cover

1. Align the unit and terminal cover, and insert the screw.
2. Tighten the screw with a 4 mm hexagonal wrench.



## Changing the Direction of the Badge

1. To remove the badge, loose screws by using a 2 mm hexagonal wrench.
2. Change the direction of badge, and then tighten the screws with a hexagonal wrench.



### **Troubleshooting**

---

The following indicators light momentarily when the amplifier is turned on. This is not a malfunction.

#### **HEAT Indicator**

- This indicator lights up in yellow when the temperature within the amplifier rises. When this happens, immediately discontinue use of the amplifier and check the location where the amplifier is installed (see the “WARNING” section on page 2). Contact your dealer if the problem is still not corrected.

#### **PROTECT Indicator**

- This indicator either flashes or lights up in red when some type of problem has occurred in the amplifier. When this happens, immediately discontinue use of the amplifier and check the wiring (see the “WARNING” section on page 2). Contact your dealer if the problem is still not corrected.

Power source .....	14.4 V DC (10.8 V to 15.1 V allowable)
Grounding system .....	Negative type
Current consumption .....	67 A (at continuous power, 4 Ω)
Average current drawn* .....	18 A (4 Ω for one channel) 38 A (2 Ω for one channel) 55 A (1 Ω for one channel)
Fuse .....	40 A × 6
Dimensions .....	586 (W) × 65 (H) × 282 (D) mm
Weight .....	9.1 kg (Leads for wiring not included)
Maximum power output .....	1 500 W × 1 (4 Ω) / 3 000 W × 1 (2 Ω) / 4 000 W × 1 (1 Ω)
Continuous power (14.4 V) .....	4 Ω, 20 Hz to 240 Hz, ≤ 1.0 % THD, 750 W × 1 2 Ω, 50 Hz, ≤ 1.0 % THD, 1 500 W × 1 1 Ω, 50 Hz, ≤ 1.0 % THD, 2 000 W × 1
Load impedance .....	4 Ω (1 Ω to 8 Ω allowable)
Frequency response .....	10 Hz to 240 Hz (+0 dB, -3 dB)
S/N ratio .....	85 dB (IEC-A network)
Distortion .....	0.3 % (10 W/4 Ω, 100 Hz)
Low pass filter .....	Cut off frequency: 40 Hz to 240 Hz Cut off slope: -24 dB/oct.
Subsonic filter (HPF) .....	Frequency: 20 Hz Slope: -24 dB/oct.
Bass boost .....	Frequency: 40 Hz to 120 Hz Level: 0 / 6 / 9 / 12 dB
Gain control .....	RCA: 400 mV to 6.5 V
Maximum input level / impedance .....	RCA: 6.5 V / 22 kΩ

**Note:**

- Specifications and the design are subject to possible modification without notice due to improvements.

**\*Average current drawn**

- The average current drawn is nearly the maximum current drawn by this unit when an audio signal is input. Use this value when working out total current drawn by multiple power amplifiers.

<b>Antes de usar este producto</b> .....	<b>1</b>
Registro del producto .....	1
En caso de desperfectos .....	2
Sobre este producto .....	2
PRECAUCION .....	2
ADVERTENCIA .....	2
<b>Ajuste de esta unidad</b> .....	<b>3</b>
Interruptor MODE SELECT .....	3
Control de la frecuencia de refuerzo de graves .....	3
Control de nivel de refuerzo de los graves .....	3
Cubierta de terminales .....	3
Control de frecuencia de corte para LPF .....	3
Control de ganancia .....	4
Interruptor BFC (Control de la frecuencia de batido) .....	4
Indicador HEAT .....	4
Indicador PROTECT .....	4
Indicador de alimentación .....	4
Interruptor selector subsónico .....	4
Configuración apropiada de la ganancia .....	5
<b>Conexión de la unidad</b> .....	<b>6</b>
Diagrama de conexión .....	7
Conexiones de terminales sin soldadura .....	8
Conexión del terminal de salida de altavoz .....	8
Conexión del terminal de alimentación .....	9
Ajuste de la ganancia del amplificador sincronizado .....	10
Conexión de los cables de altavoces .....	10
<b>Instalación</b> .....	<b>15</b>
Instalación del control remoto de intensificación de los graves .....	15
Ejemplo de instalación en la alfombra del piso o en el chasis .....	16
Recolocación de la cubierta de terminales .....	16
Cambio de la dirección de la placa de identificación .....	16
<b>Información adicional</b> .....	<b>17</b>
Localización y solución de problemas .....	17
<b>Especificaciones</b> .....	<b>18</b>

Muchas gracias por la adquisición de este producto PIONEER. Antes de tratar de operarlo, lea atentamente este manual.



Si desea deshacerse de este producto, no lo mezcle con los residuos generales de su hogar. De conformidad con la legislación vigente, existe un sistema de recogida distinto para los productos electrónicos que requieren un procedimiento adecuado de tratamiento, recuperación y reciclado.

Las viviendas privadas en los 25 estados miembros de la UE, en Suiza y Noruega pueden devolver gratuitamente sus productos electrónicos usados en las instalaciones de recolección previstas o bien en las instalaciones de minoristas (si adquieren un producto similar nuevo).

En el caso de los países que no se han mencionado en el párrafo anterior, póngase en contacto con sus autoridades locales a fin de conocer el método de eliminación correcto.

Al actuar siguiendo estas instrucciones, se asegurará de que el producto de desecho se somete a los procesos de tratamiento, recuperación y reciclaje necesarios, con lo que se previenen los efectos negativos potenciales para el entorno y la salud humana.

## Registro del producto

Visítenos en el siguiente sitio:



Registre su producto. Conservaremos los datos de su compra archivados para que pueda consultar esta información en caso de que deba efectuar un reclamo a la compañía de seguros por pérdida o robo.

## En caso de desperfectos

Si esta unidad no funciona correctamente, póngase en contacto con su distribuidor o con el Centro de Servicio PIONEER autorizado más cercano.

## Sobre este producto

Este producto es un amplificador para altavoz de subgraves. Si ambos los canales L (izquierdo) y R (derecho) se conectan a la entrada RCA de este producto, la salida se mezcla ya que este producto es un amplificador monofónico.



## PRECAUCION

- No reemplace nunca el fusible por uno con un valor de régimen mayor que el fusible original. El uso de un fusible inadecuado podría causar el sobrecalentamiento o humo, así como podría causar daños al producto y lesiones, incluyendo quemaduras.
- Utilice la llave hexagonal suministrada para apretar los tornillos al fijar los hilos a los terminales o al cambiar la dirección de la placa de identificación. El uso de una llave hexagonal larga disponible comercialmente puede causar la aplicación de un par de apriete excesivo, resultando en daños a los terminales y hilos.

## ADVERTENCIA

- Utilice siempre los cables de batería y de conexión a tierra recomendados, que se venden separadamente. Conecte el cable de batería directamente al terminal positivo de la batería del vehículo (+) y el cable de tierra a la carrocería del vehículo.
- No toque en el amplificador con las manos mojadas. Caso contrario, usted puede llevar un choque eléctrico. Igualmente, no toque en el amplificador cuando esté mojado.
- Para seguridad del tráfico y para mantener condiciones de conducción seguras, mantenga el volumen suficientemente bajo de manera que aun se pueda escuchar el sonido del tráfico normal.
- Verifique las conexiones del suministro de energía y altavoces para ver si el fusible del cable de batería vendido separadamente o el fusible del amplificador se queman. Detecte la causa y solución el problema, y reemplace el fusible con un otro del mismo tamaño y régimen.
- Para evitar mal funcionamiento del amplificador y altavoz de subgraves, el circuito de protección cortará la alimentación al amplificador (el sonido se detendrá) cuando se produzca una situación anormal. En tal caso, apague el sistema y verifique la conexión de la alimentación y altavoz de subgraves. Detecte la causa y resuelva el problema.
- Contacte a su distribuidor si no puede detectar la causa.
- Para evitar choques eléctricos o cortocircuitos durante la conexión e instalación, asegúrese de desconectar el terminal negativo (-) de la batería antes de proceder.
- Confirme que ninguna parte quede detrás del panel, cuando perforo un orificio para la instalación del amplificador. Asegúrese de proteger todos los cables y equipos importantes, tales como líneas de combustibles, líneas de frenos y el cableado eléctrico.
- NO permita que el amplificador entre en contacto con líquidos debido a, por ejemplo, la localización donde el amplificador esté instalado. Esto podría causar una sacudida eléctrica. El contacto con líquidos también podría causar daños y sobrecalentamiento al amplificador e altavoces. Además, la superficie del amplificador y la superficie de cualquier altavoz instalado también podrían ponerse muy calientes al tacto, pudiendo causar pequeñas quemaduras.

## Interruptor MODE SELECT

Puede seleccionar el modo de sincronización de amplificador entre MASTER, SYNC y SYNC INV. Ajuste el interruptor MODE SELECT a la posición MASTER cuando utilice un amplificador solamente. Cuando utilice en sincronismo, conectando dos o más amplificadores en combinación, ajuste el primer amplificador a MASTER, y ajuste los amplificadores restantes a SYNC o SYNC INV de acuerdo con la forma en que estén conectados. La única vez que se cambia el amplificador al modo SYNC INV es cuando los amplificadores están conectados sincrónicamente con el puente externo.

Cuando cambie al modo SYNC o SYNC INV, quite el tornillo y el retenedor. Quite el tornillo y el retenedor después de comprobar que las conexiones estén correctas. Consulte la sección "Conexión de los cables de altavoces" para los detalles sobre el interruptor MODE SELECT.

## Control de la frecuencia de refuerzo de graves

Se puede seleccionar una frecuencia de refuerzo de graves desde 40 Hz a 120 Hz con el control de refuerzo de graves.

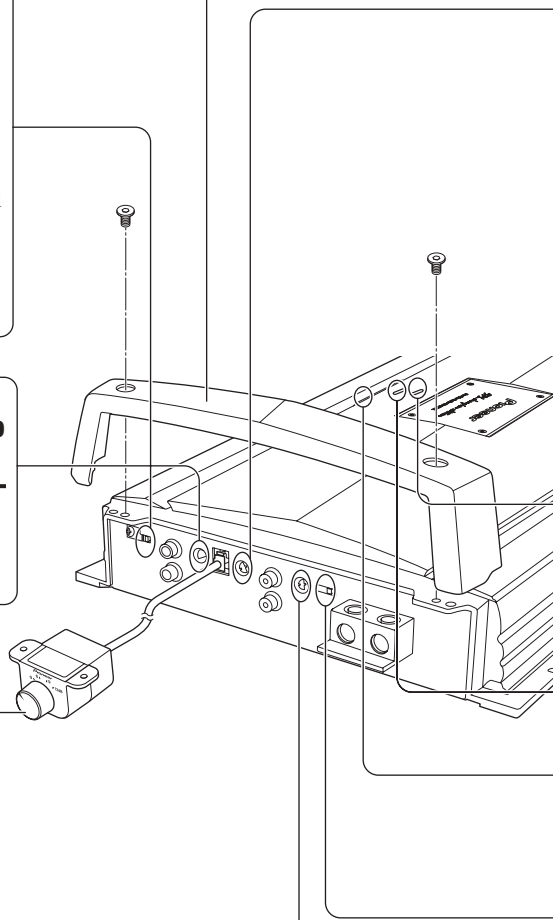
## Control de nivel de refuerzo de los graves

Se puede seleccionar un nivel de refuerzo de graves de 0, 6, 9 y 12 dB.

Para las instrucciones acerca de la conexión del control remoto de refuerzo de graves al amplificador, consulte la sección "Diagrama de conexión".

## Cubierta de terminales

Antes de montar la unidad, desapríete los tornillos con una llave hexagonal de 4 mm y quite la cubierta de terminales.



## Control de frecuencia de corte para LPF

Se puede seleccionar una frecuencia de corte de 40 Hz a 240 Hz.

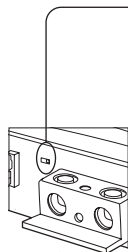
## Control de ganancia

Si el nivel del sonido está muy bajo, aún cuando se aumenta el volumen del equipo estéreo para automóvil usado con este amplificador de potencia, gire a la derecha el control de ganancia. Si hay distorsión del sonido cuando se aumenta el volumen del equipo estéreo de automóvil, gire los controles a la izquierda.

- Cuando se usa un estéreo de automóvil equipado con RCA (salida estándar de 500 mV), ajuste a la posición NORMAL. Cuando use con un estéreo de automóvil Pioneer equipado con RCA con una salida máxima de 4 V o más, ajuste el nivel para adecuarse al nivel de salida del estéreo del automóvil.
- Para el control de ganancia del amplificador sincronizado, consulte la sección “Ajuste de la ganancia del amplificador sincronizado”.

## Interruptor BFC (Control de la frecuencia de batido)

Si se oye un batido durante la escucha de una transmisión MW/LW con el equipo estéreo de automóvil, cambie el interruptor BFC utilizando un destornillador pequeño.



## Indicador HEAT (Amarillo)

Esto indica un problema con el amplificador. Para los detalles, consulte la sección “Localización y solución de problemas” en la página 17.

## Indicador PROTECT (Rojo)

Esto indica un problema con el amplificador. Para los detalles, consulte la sección “Localización y solución de problemas” en la página 17.

## Indicador de alimentación (Azul)

El indicador de alimentación se ilumina cuando la unidad se encuentra activada.

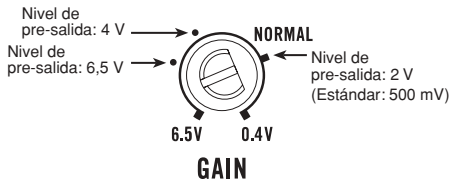
## Interruptor selector subsónico

El filtro subsónico corta las frecuencias inaudibles inferiores a 20 Hz, para eliminar las vibraciones indeseables y minimizar la pérdida de potencia.

## Configuración apropiada de la ganancia

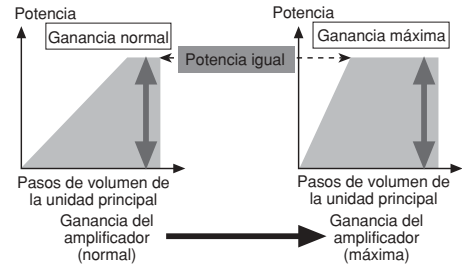
- Esta unidad está equipada con una función de protección para evitar el fallo de funcionamiento de la propia unidad y de los altavoces debido a una salida muy alta, uso inadecuado o conexión incorrecta.
- Al producir el sonido a un volumen alto, etc., esta función cortará la salida del sonido en algunos segundos. Sin embargo, esto no es un fallo de funcionamiento. Al bajar el volumen de la unidad principal, se restaurará la salida del volumen.
- Si se corta la salida del sonido, puede que se ajuste incorrectamente el control de ganancia de esta unidad. Para asegurar la salida continua del sonido al volumen aumentado de la unidad principal, ajuste el control de ganancia del amplificador a una posición adecuada de acuerdo con el nivel de salida máximo de la pre-salida de la unidad principal.

## Control de ganancia de esta unidad



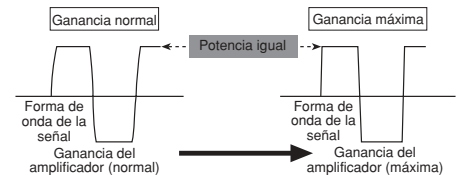
No hay necesidad de disminuir el volumen de la unidad principal y se controla una salida muy alta.

## Relación entre la ganancia del amplificador y la potencia de salida de la unidad principal



- Si se eleva la ganancia del amplificador a un nivel inadecuado, solamente la distorsión aumenta, mientras la potencia aumenta solamente un poco.

## Forma de onda de la señal con la salida de volumen alto por el control de ganancia del amplificador



- Cuando la salida alta de la forma de onda de señal está con distorsión, si se eleva la ganancia del amplificador, la potencia cambia solamente un poco.
- Si disminuye el volumen de la unidad principal y ajusta el control de ganancia del amplificador a una posición adecuada, pero todavía se corta el sonido de vez en cuando, póngase en contacto con la Estación de Servicio PIONEER autorizada más cercana.



### PRECAUCION

- Quite el terminal negativo (–) de la batería para evitar riesgo de cortocircuitos y daño a la unidad.
- Asegure el alambrado con abrazaderas de cable o cinta adhesiva. Para proteger el alambrado, envuelva cinta adhesiva alrededor de ellos en donde contacta con partes metálicas.
- No tienda cables por donde puedan calentarse, por ejemplo donde el calentador sople sobre ellos. Si la aislación se calienta, podría resultar dañada, resultando en cortocircuito a través de la carrocería del vehículo.
- El amplificador aumenta la carga en la batería y en el sistema de carga. Asegúrese de que el alternador y la batería del vehículo tengan capacidad suficiente para este amplificador. Se recomienda el uso de una batería de trabajo pesado, una conexión paralela de baterías ordinarias o un capacitor de almacenaje de energía.

### PRECAUCION

#### Para evitar daños y/o lesiones

- No conecte a tierra (masa) el cable del altavoz directamente ni conecte un cable negativo (–) a varios altavoces.
- Esta unidad es para vehículos con una batería de 12 voltios y terminal negativo a tierra. Antes de instalar en un vehículo de recreación, camión u ómnibus, verifique el voltaje de la batería.
- Si el sistema estereofónico del coche está funcionando por un largo período de tiempo mientras el motor permanece inactivo o en marcha al ralentí, la batería puede agotarse. Apague el estéreo de automóvil cuando el motor se encuentre funcionando en marcha al ralentí o permanece in activo.
- Si el cable del control remoto del sistema del amplificador se conecta al terminal de alimentación a través del interruptor de encendido (12 V de CC), el amplificador estará siempre activado cuando el encendido está activado, sin considerar de si el estéreo de automóvil se encuentra activado o desactivado. Debido a esto, la batería puede agotarse si deja el motor funcionando en marcha al ralentí o permanece inactivo.
- NO conecte un altavoz de subgraves con una impedancia inferior a la especificada en la sección “Conexión de los cables de altavoces”. Una conexión no especificada podría causar daños, desprendimiento de humo y sobrecalentamiento del amplificador. La superficie del amplificador también podría ponerse caliente al tacto y esto podría resultar en quemaduras ligeras.

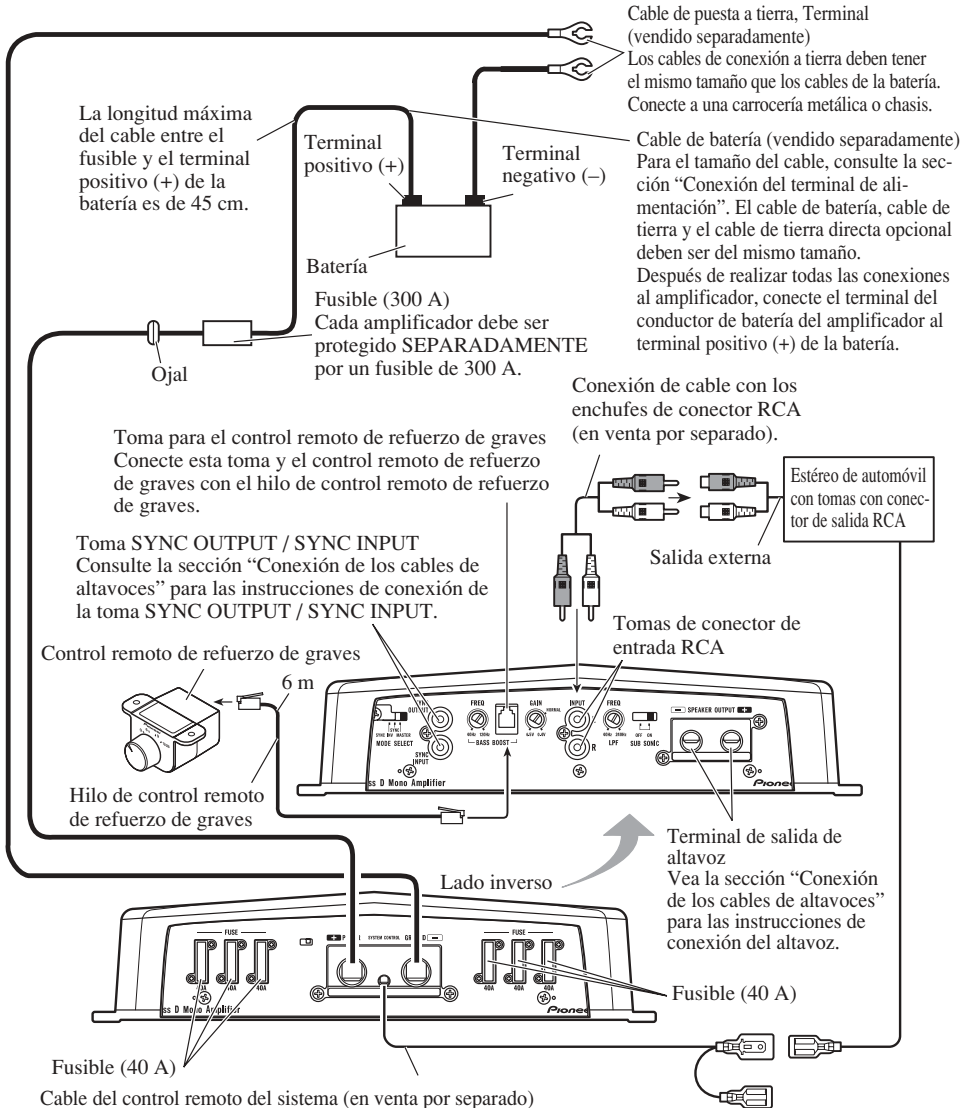
- Asegúrese que los alambres no interfieran con partes móviles del vehículo como la palanca de cambios, el freno de mano o el mecanismo de deslizamiento de los asientos.
- No corte ningún cable. De otra manera, el circuito de protección podría no funcionar cuando debiera.
- Nunca alimente otro equipo cortando la aislación del cable de alimentación y conectándolo al cable. La capacidad de corriente del cable será excedida, causando sobrecalentamiento.
- No reemplace nunca el fusible por uno con un valor de régimen mayor que el fusible original. El uso de un fusible inadecuado podría causar el sobrecalentamiento o humo, así como podría causar daños al producto y lesiones, incluyendo quemaduras.

- Conecte uno de los tres altavoces de subgraves al amplificador; 1: un altavoz de subgraves con una entrada nominal de 750 W o mayor y una impedancia de 4  $\Omega$ ; 2: un altavoz con una entrada nominal de 1 500 W y una impedancia de 2  $\Omega$  o 3: un altavoz con una entrada nominal de 2 000 W y una impedancia de 1  $\Omega$ . Si la entrada nominal y la impedancia están fuera de los rangos arriba, el altavoz de subgraves puede incendiarse, emitir humo o averiarse.
- Instale y coloque el cable de batería vendido separadamente lo más alejado posible de los cables de los altavoces. Instale y coloque el cable de batería y cable de tierra vendidos separadamente, los cables de los altavoces, y el amplificador lo más alejados posible de la antena, cable de antena y sintonizador.
- Los cables para esta unidad y aquéllas para las unidades pueden ser de colores diferentes aun si tienen la misma función. Cuando se conecta esta unidad a otra, refiérase a los manuales de ambas unidades y conecte los cables que tienen la misma función.

# Conexión de la unidad

## Diagrama de conexión

- En el caso de conectar la salida externa de un equipo estéreo de automóvil a una entrada RCA, utilice la toma para la salida de gama completa. La razón para esto es que no se puede desactivar el LPF del amplificador. Si no se puede utilizar esta toma, conecte la tomada de salida del altavoz de subgraves a la entrada RCA.



Cable del control remoto del sistema (en venta por separado)

Conecte el terminal macho de este hilo al terminal de control remoto de sistema del equipo estéreo para automóvil (SYSTEM REMOTE CONTROL). El terminal hembra puede ser conectado al terminal de control del relé de antena. Si el estéreo de automóvil no tiene un terminal de control remoto del sistema, conecte el terminal macho al terminal de alimentación a través del interruptor de encendido.

## Conexiones de terminales sin soldadura

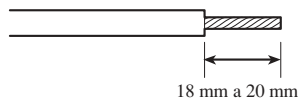
- Como el hilo se aflojará con el tiempo, se debe inspeccionar y apretarlo periódicamente como sea necesario.
- No suelde o enlace los extremos de los conductores torcidos.
- Apriete asegurándose de no fijar la vaina de aislamiento del hilo.
- Utilice la llave hexagonal suministrada para apretar y aflojar el tornillo de terminal del amplificador. Fije firmemente el hilo con lo tornillo de terminal. Sin embargo, como el apriete excesivo del tornillo de terminal del mando a distancia de sistema puede dañar el hilo, tenga cuidado en no apretar excesivamente, observando el estado del hilo cuando apriete.

## Conexión del terminal de salida de altavoz

### Tamaño del hilo de altavoz

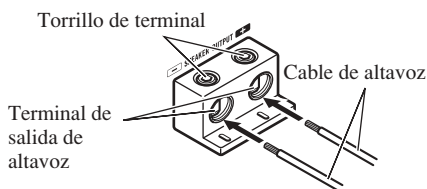
Longitud del cable	inferior a 4,3 m	inferior a 6,4 m	inferior a 10,7 m
Tamaño del cable	8 AWG	6 AWG	4 AWG

1. Utilice alicates o un cortador para exponer el extremo de los hilos de altavoz unos 18 mm a 20 mm.



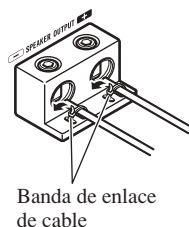
2. Conecte los cables de altavoz al terminal de salida de altavoz.

- Fije los cables firmemente utilizando los tornillos para terminales.



3. Ponga las bandas de enlace de cable en las ranuras y arrolle las bandas de enlace alrededor de los cables.

- Arrolle la banda de enlace de cable alrededor del aislamiento de cable, y no en el hilo desnudo.
- Corte cualquier porción excesiva de los amarres de los hilos.



## Conexión del terminal de alimentación

- Utilice siempre los cables de batería y de conexión a tierra recomendados, que se venden separadamente. Conecte el cable de batería directamente al terminal positivo de la batería del vehículo (+) y el cable de tierra a la carrocería del vehículo.
- A continuación se indica el tamaño recomendado para los cables (AWG: American Wire Gauge). El cable de batería, cable de tierra y el cable de tierra directa opcional deben ser del mismo tamaño.
- Utilice un hilo de 10 AWG a 20 AWG para el hilo de control remoto del sistema.

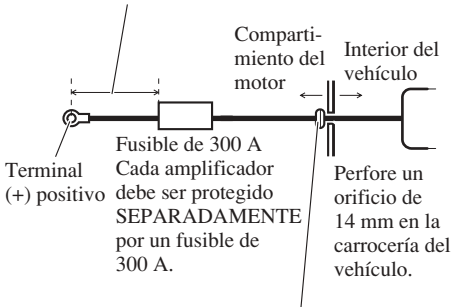
### Tamaño del cable de batería y cable de puesta a tierra

Longitud del cable	inferior a 2,1 m	inferior a 3,6 m	inferior a 5,2 m	inferior a 6,4 m
Tamaño del cable	4 AWG	2 AWG	1 AWG	0 AWG

### 1. Pase el cable de batería desde el compartimiento del motor al interior del vehículo.

- Luego de hacer todas las otras conexiones al amplificador, conecte el terminal del conductor de batería del amplificador al terminal positivo (+) de la batería.

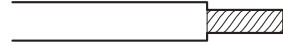
La longitud máxima del cable entre el fusible y el terminal positivo (+) de la batería es de 45 cm.



Inserte el ojal de caucho de la junta tórica en la carrocería del vehículo.

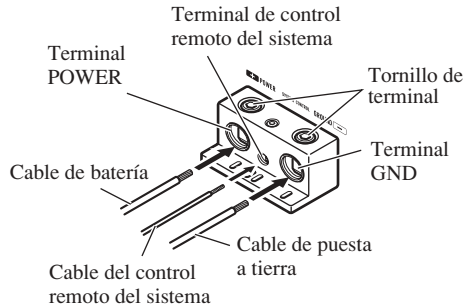
### 2. Utilice alicates o un cortador para exponer el extremo de los hilos.

- Hilo de batería, hilo de puesta a tierra: 23 mm a 25 mm
- Hilo del control remoto de sistema: 14 mm a 16 mm



### 3. Conecte los cables al terminal.

- Fijar los cables firmemente utilizando los tornillos para terminales.

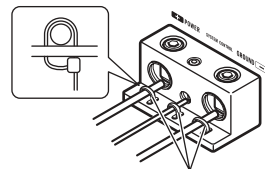


### ⚠ ADVERTENCIA

Dejar de apretar firmemente el cable de puesta a tierra al terminal usando los tornillos para terminales podría causar el sobrecalentamiento del área de los terminales, así como podría causar daños y lesiones incluyendo pequeñas quemaduras.

### 4. Ponga las bandas de enlace de cable en las ranuras y arrolle las bandas de enlace alrededor de los cables.

- Arrolle la banda de enlace de cable alrededor del aislamiento de cable, y no en el hilo desnudo.
- Corte cualquier porción excesiva de los amarres de los hilos.



Banda de enlace de cable

## Ajuste de la ganancia del amplificador sincronizado

---

Después de conectar los cables de altavoces, ajuste cada control de ganancia del amplificador sincronizado. Todos los amplificadores sincronizados siguen los ajustes del amplificador principal.

### Configuración rápida de la ganancia

Ajuste el control de ganancia de cada amplificador sincronizado a la posición NORMAL. Este ajuste compensará los volúmenes de salida lo suficiente para la mayoría de las aplicaciones.

### Configuración avanzada de la ganancia

Comenzando con el amplificador principal, ajuste el control de ganancia de cada amplificador sincronizado en orden.

1. Genere una onda sinusoidal a través de este sistema a un nivel de salida bajo.
2. Utilice un voltímetro para medir el nivel de voltaje de salida del amplificador.
3. Utilice un voltímetro para medir el nivel de voltaje de salida del amplificador sincronizado.
4. Iguale la salida del amplificador sincronizado con la salida del amplificador principal utilizando el control de ganancia del amplificador sincronizado.
5. Repita esto para cada amplificador sincronizador en la secuencia apropiada.

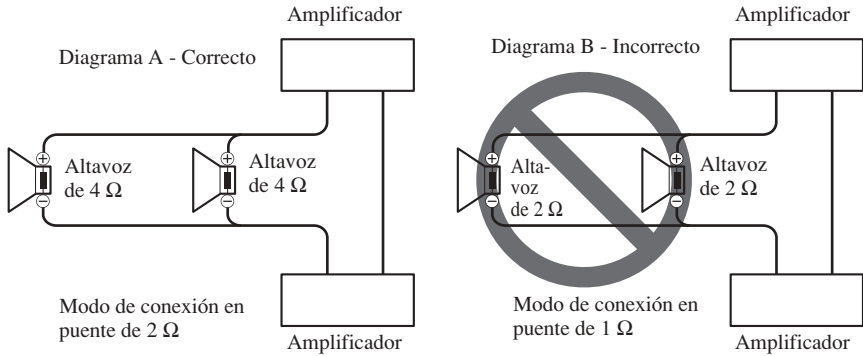
## Conexión de los cables de altavoces

---

Conecte los hilos de altavoz y ajuste el interruptor MODE SELECT de acuerdo con la configuración que se utilice refiriéndose a las figuras que se muestran a continuación y en la página siguiente.

- Cuando conecte sincrónicamente dos o más amplificadores en combinación, utilice solamente estos amplificadores. No mezcle estos amplificadores con otros amplificadores.
- Cuando conecte sincrónicamente dos o más amplificadores en combinación, ajuste el control de ganancia, interruptor de selección subsónica, control de frecuencia de corte para LPF y control de refuerzo de graves en el amplificador que ha ajustado a MASTER con el interruptor MODE SELECT. Excepto para el control de ganancia, estas configuraciones están inactivas en un amplificador que no ha sido configurado para SYNC o SYNC INV. Para los detalles acerca de la operación de control de ganancia, consulte la sección "Ajuste de la ganancia del amplificador sincronizado".

## PRECAUCION

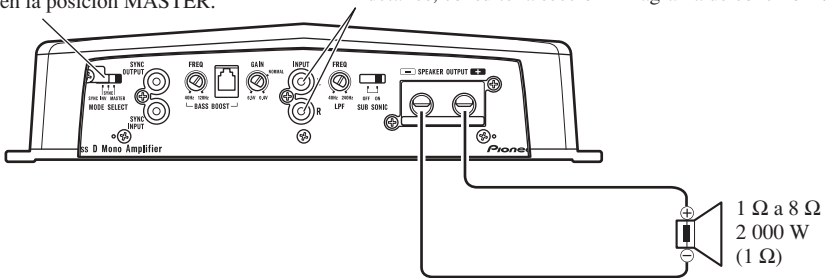


NO instale o use este amplificador mediante la conexión de los cables de las bocinas de 2  $\Omega$  nominales (o menos) en paralelo para lograr un modo en puente de 1  $\Omega$  (o menos) (Diagrama B). Realizar un puente incorrecto podría resultar en un sobrecalentamiento y daño del amplificador, así como en un desprendimiento de humo del mismo. La superficie del amplificador podría también ponerse caliente al tacto y resultar en quemaduras ligeras. Para instalar o usar adecuadamente el modo de puente y lograr una carga de 2  $\Omega$ , conecte los cables de dos bocinas de 4  $\Omega$  en paralelo con Izquierdo + y Derecho - (Diagrama A), o use una sola bocina de 2  $\Omega$ . Además, consulte el manual de instrucciones de los altavoces para más información sobre el procedimiento correcto de conexión.

## Amplificador simple

El interruptor MODE SELECT debe estar en la posición MASTER.

Conecte a un equipo estéreo de automóvil. Para los detalles, consulte la sección "Diagrama de conexión".

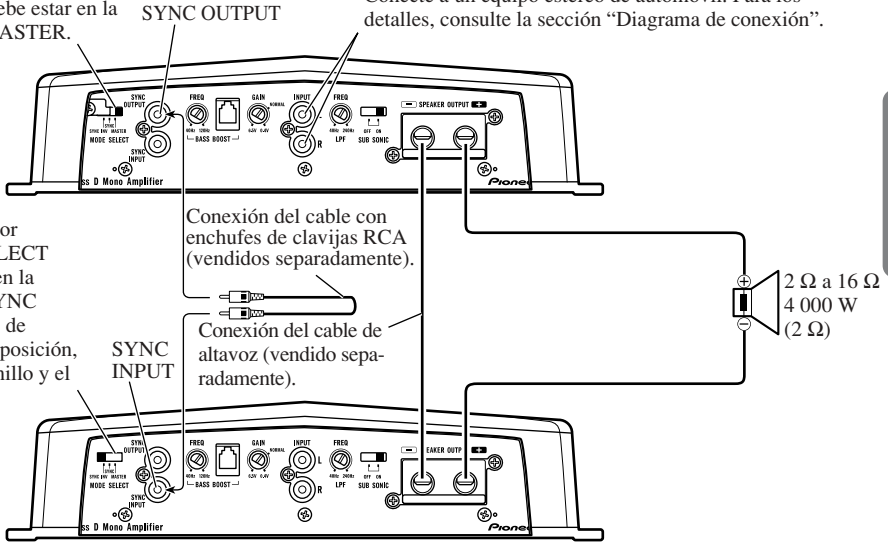


- Utilice altavoces con una impedancia de 1  $\Omega$  a 8  $\Omega$ .

## Dos amplificadores (Punto externo)

El interruptor MODE SELECT debe estar en la posición MASTER.

Conecte a un equipo estéreo de automóvil. Para los detalles, consulte la sección "Diagrama de conexión".



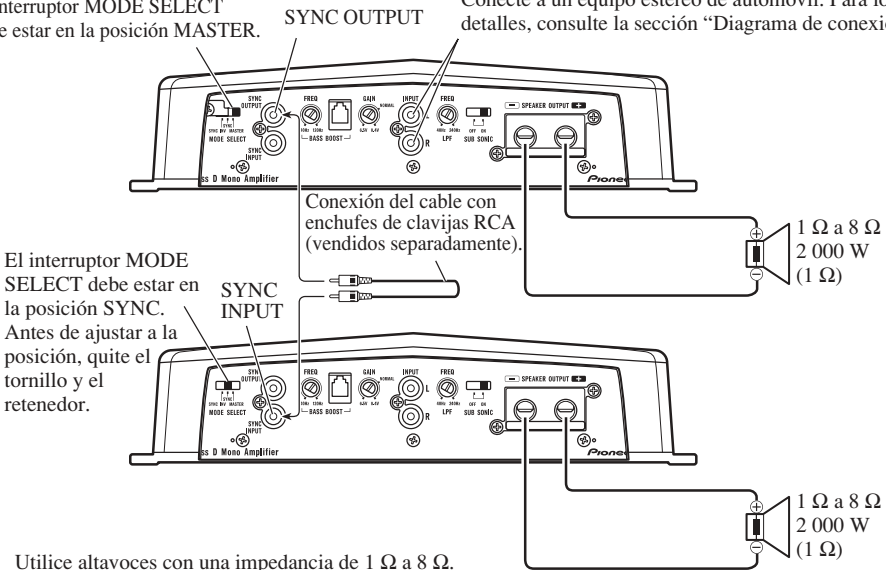
El interruptor MODE SELECT debe estar en la posición SYNC INV. Antes de ajustar a la posición, quite el tornillo y el retenedor.

- Utilice solamente altavoces con una impedancia de 2 Ω a 16 Ω. Además, en el caso de conectar múltiples altavoces con un puente, compruebe que la impedancia sintética sea de por lo menos 2 Ω.

## Dos amplificadores

El interruptor MODE SELECT debe estar en la posición MASTER.

Conecte a un equipo estéreo de automóvil. Para los detalles, consulte la sección "Diagrama de conexión".



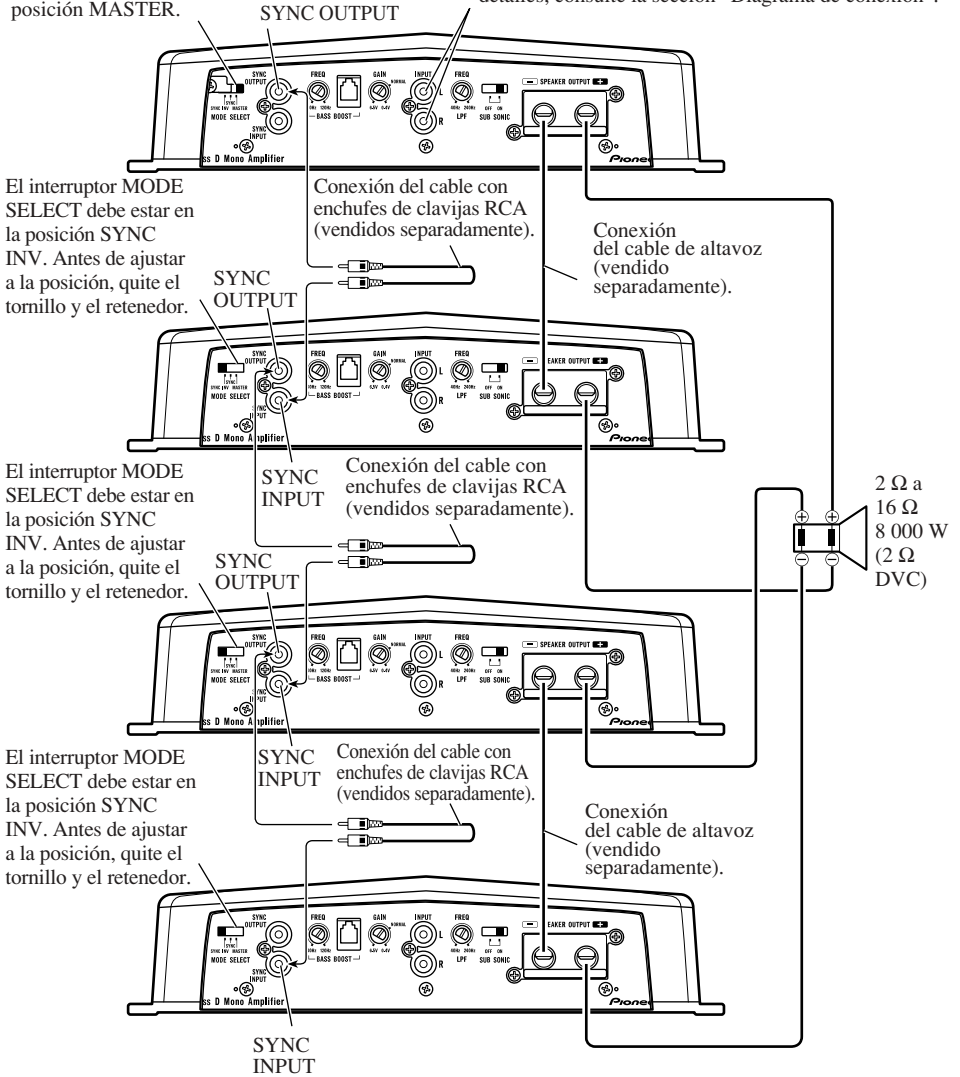
- Utilice altavoces con una impedancia de 1 Ω a 8 Ω.

# Conexión de la unidad

## Cuatro amplificadores (Puente externo)

El interruptor MODE SELECT debe estar en la posición MASTER.

Conecte a un equipo estéreo de automóvil. Para los detalles, consulte la sección "Diagrama de conexión".



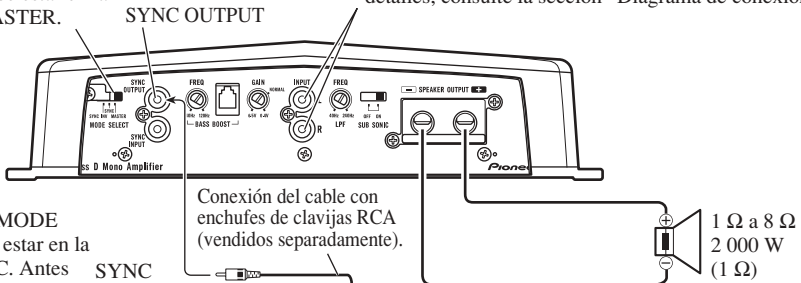
- Utilice solamente altavoces con una impedancia de 2 Ω a 16 Ω. Además, en el caso de conectar múltiples altavoces con un puente, compruebe que la impedancia sintética sea de por lo menos 2 Ω.



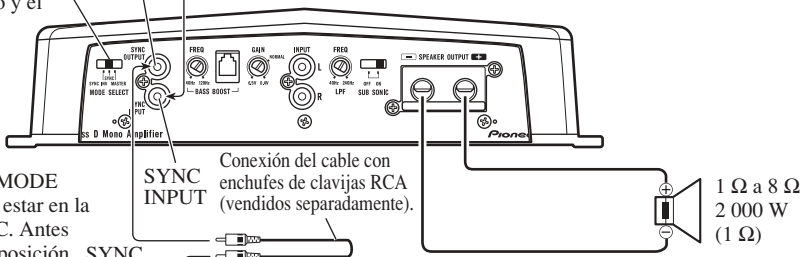
## Cuatro amplificadores

El interruptor MODE SELECT debe estar en la posición MASTER.

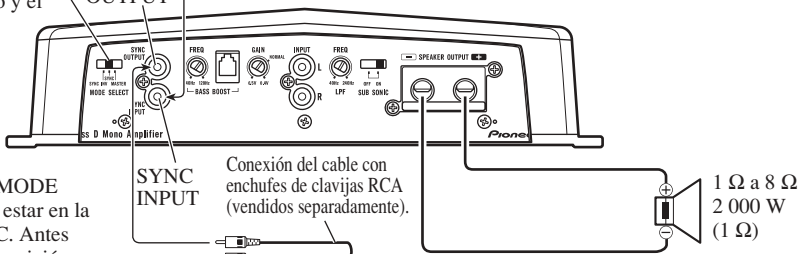
Conecte a un equipo estéreo de automóvil. Para los detalles, consulte la sección "Diagrama de conexión".



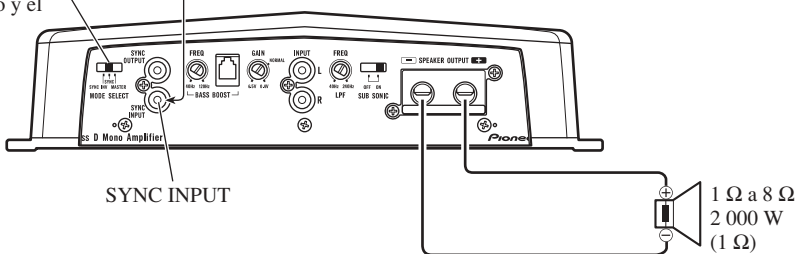
El interruptor MODE SELECT debe estar en la posición SYNC. Antes de ajustar a la posición, quite el tornillo y el retenedor.



El interruptor MODE SELECT debe estar en la posición SYNC. Antes de ajustar a la posición, quite el tornillo y el retenedor.



El interruptor MODE SELECT debe estar en la posición SYNC. Antes de ajustar a la posición, quite el tornillo y el retenedor.



- Utilice altavoces con una impedancia de 1 Ω a 8 Ω.

## PRECAUCION

- No lo instale en:
  - Donde podría lesionar al conductor o a los pasajeros si se detiene el vehículo bruscamente.
  - Donde podría interferir con el conductor, como por ejemplo en el piso en frente al asiento del conductor.
- Asegúrese que los cables no se enganchen en el mecanismo deslizante de los asientos, resultando en cortocircuito.
- Confirme que ninguna parte quede detrás del panel, cuando perforo un orificio para la instalación del amplificador. Asegúrese de proteger todos los cables y equipos importantes, tales como líneas de combustibles, líneas de frenos y el cableado eléctrico.
- Instale los tornillos de conexión de manera tal que la punta del tornillo no toque ningún cable. Esto es importante para evitar que los cables se corten por vibración del automóvil, lo que podría causar un incendio.
- NO permita que el amplificador entre en contacto con líquidos debido a, por ejemplo, la localización donde el amplificador esté instalado. Esto podría causar una sacudida eléctrica. El contacto con líquidos también podría causar daños y sobrecalentamiento al amplificador e altavoces. Además, la superficie del amplificador y la superficie de cualquier altavoz instalado también podrían ponerse muy calientes al tacto, pudiendo causar pequeñas quemaduras.
- Para asegurar una instalación apropiada, utilice las partes suministradas de la manera especificada. Si se utiliza cualquier otra parte que no sean las suministradas, puede dañarse las partes internas del amplificador, o pueden aflojarse y el amplificador puede dejar de funcionar.
- No reemplace nunca el fusible por uno con un valor de régimen mayor que el fusible original. El uso de un fusible inadecuado podría causar el sobrecalentamiento o humo, así como podría causar daños al producto y lesiones, incluyendo quemaduras.

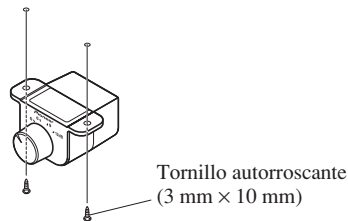
## PRECAUCION

### Para evitar fallas de funcionamiento y/o lesiones

- Para asegurar la disipación de calor apropiada del amplificador, cuide de lo siguiente durante la instalación.
  - Permita un espacio adecuado en la parte superior del amplificador para una ventilación apropiada.
  - No cubra el amplificador con la cubierta de piso o alfombra.
- NO permita que el amplificador entre en contacto con líquidos debido a, por ejemplo, la localización donde el amplificador esté instalado. Esto podría causar una sacudida eléctrica. El contacto con líquidos también podría causar daños y sobrecalentamiento al amplificador e altavoces. Además, la superficie del amplificador y la superficie de cualquier altavoz instalado también podrían ponerse muy calientes al tacto, pudiendo causar pequeñas quemaduras.
- No instale el amplificador sobre superficies inestables como el tablero del neumático de repuesto.
- La mejor ubicación para la instalación difiere con el modelo del vehículo y localización de instalación. Fije el amplificador en un lugar suficientemente rígido.
- Realice primero conexiones provisionarias y compruebe que el amplificador y el sistema operan adecuadamente.
- Después de instalar el amplificador, compruebe que se puede sacar fácilmente el neumático de repuesto, gato y herramientas.

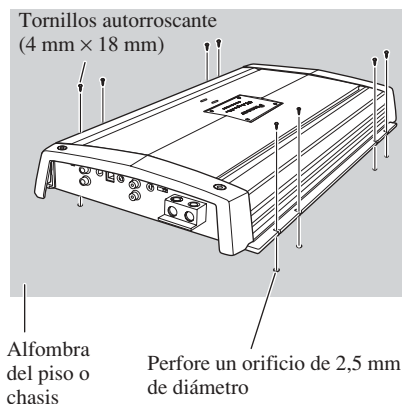
## Instalación del control remoto de intensificación de los graves

Instale con los tornillos autorroscantes (3 mm × 10 mm) en una localización de fácil acceso tal como por debajo del tablero de instrumentos.



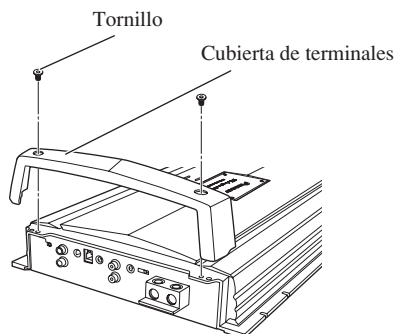
## Ejemplo de instalación en la alfombra del piso o en el chasis

1. Ubique el amplificador en la posición en donde va a ser instalado. Inserte los tornillos autorroscantes suministrados (4 mm × 18 mm) en los orificios de los tornillos. Presione los tornillos con un destornillador de modo que puedan dejar puntos marcados de la posición en donde irán los orificios para la instalación.
2. Perfore orificios de 2,5 mm de diámetro en el punto marcado, e instale el amplificador, ya sea en la alfombra o directamente en el chasis.



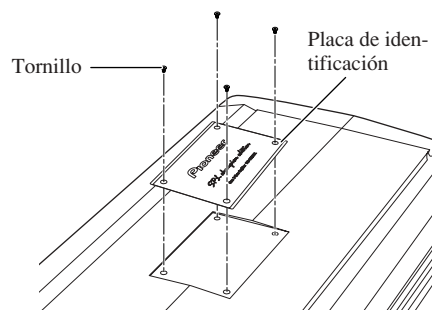
## Recolocación de la cubierta de terminales

1. Alinee la unidad y la cubierta de terminales, e inserte el tornillo.
2. Apriete el tornillo con una llave hexagonal de 4 mm.



## Cambio de la dirección de la placa de identificación

1. Para quitar la placa de identificación, afloje los tornillos utilizando una llave hexagonal de 2 mm.
2. Cambie la dirección de la placa de identificación y, a continuación, apriete los tornillos con una llave hexagonal.



### **Localización y solución de problemas**

---

Los siguientes indicadores se encienden momentáneamente cuando se enciende el amplificador. Esto no es un fallo de funcionamiento.

#### **Indicador HEAT**

- Este indicador se enciende en amarillo cuando la temperatura dentro del amplificador aumenta. Cuando esto ocurre, pare inmediatamente de utilizar el amplificador y verifique el lugar donde el amplificador está instalado (consulte la sección “ADVERTENCIA” en la página 2). Póngase en contacto con su revendedor si no se puede corregir el problema.

#### **Indicador PROTECT**

- Este indicador parpadea o se enciende en rojo cuando ocurre algún tipo de problema en el amplificador. Cuando esto ocurre, pare inmediatamente de utilizar el amplificador y verifique el cableado (consulte la sección “ADVERTENCIA” en la página 2). Póngase en contacto con su revendedor si no se puede corregir el problema.

Alimentación .....	14,4 V CC (10,8 V a 15,1 V permisible)
Sistema de puesta a tierra .....	Tipo negativo
Consumo de corriente .....	67 A (potencia continua, 4 $\Omega$ )
Consumo de corriente promedio* .....	18 A (4 $\Omega$ para uno canal) 38 A (2 $\Omega$ para uno canal) 55 A (1 $\Omega$ para uno canal)
Fusible .....	40 A $\times$ 6
Dimensiones .....	586 (An) $\times$ 65 (Al) $\times$ 282 (Pr) mm
Peso .....	9,1 kg (No se incluyen los conductores para el cableado)
Potencia de salida máxima .....	1 500 W $\times$ 1 (4 $\Omega$ ) / 3 000 W $\times$ 1 (2 $\Omega$ ) / 4 000 W $\times$ 1 (1 $\Omega$ )
Potencia continua (14,4 V) .....	4 $\Omega$ , 20 Hz a 240 Hz, $\leq$ 1,0 % THD, 750 W $\times$ 1 2 $\Omega$ , 50 Hz, $\leq$ 1,0 % THD, 1 500 W $\times$ 1 1 $\Omega$ , 50 Hz, $\leq$ 1,0 % THD, 2 000 W $\times$ 1
Impedancia de carga .....	4 $\Omega$ (1 $\Omega$ a 8 $\Omega$ permisible)
Respuesta de frecuencia .....	10 Hz a 240 Hz (+0 dB, -3 dB)
Relación S/N .....	85 dB (rede IEC-A)
Distorsión .....	0,3% (10 W / 4 $\Omega$ , 100 Hz)
Filtro de paso bajo .....	Frecuencia de corte: 40 Hz a 240 Hz Pendiente de corte: -24 dB/oct.
Filtro subsónico (HPF) .....	Frecuencia: 20 Hz Pendiente: -24 dB/oct.
Intensificación de los graves .....	Frecuencia: 40 Hz a 120 Hz Nivel: 0 / 6 / 9 / 12 dB
Control de ganancia .....	RCA: 400 mV a 6,5 V
Impedancia / nivel de entrada máxima .....	RCA: 6,5 V / 22 k $\Omega$

## Nota:

- Las especificaciones y el diseño están sujetos a posibles modificaciones sin previo aviso debido a mejoramientos.

## \*Consumo de corriente promedio

- El consumo de corriente promedio es casi el consumo de corriente máximo de esta unidad, cuando se ingresa una señal de audio. Utilice este valor cuando tenga que trabajar con la corriente total consumida por múltiples amplificadores de potencia.

<b>Vor Gebrauch dieses Produkts .....</b>	<b>1</b>
Produktregistrierung .....	1
Im Störfall .....	2
Über dieses Produkt .....	2
VORSICHT .....	2
WARNUNG .....	2
<b>Einstellen dieses Geräts .....</b>	<b>3</b>
MODE SELECT-Schalter .....	3
Bassverstärkungs-Frequenzregler .....	3
Steuerung des Bassverstärkungspegels .....	3
Anschlussabdeckung .....	3
Ausschaltfrequenz-Regelung für LPF .....	3
Verstärkungsregelung .....	4
Interferenzschuttschalter (BFC) .....	4
Hitze-Anzeige (HEAT) .....	4
Schutzanzeige (PROTECT) .....	4
Stromanzeige .....	4
Subsonic-Wahlschalter .....	4
Richtige Einstellung der Verstärkung .....	5
<b>Anschluss der Einheit .....</b>	<b>6</b>
Anschlusschema .....	7
Lötfreie Verbindungen .....	8
Anschluss der Lautsprecher-Ausgang-Klemmen .....	8
Anschluss der Stromversorgung .....	9
Einstellen der Verstärkung für Verstärkersynchronisierung .....	10
Anschließen der Lautsprecherkabel .....	10
<b>Einbau .....</b>	<b>15</b>
Befestigen der Fernbedienung für die Bassverstärkung .....	15
Beispiel eines Einbaus auf einer Bodenmatte oder auf dem Rahmen .....	16
Wiederanbringen der Anschlussabdeckung ....	16
Ändern der Ausrichtung der Plakette .....	16
<b>Zusätzliche Informationen .....</b>	<b>17</b>
Fehlersuche .....	17
<b>Technische Daten .....</b>	<b>18</b>

Vielen Dank für den Kauf dieses PIONEER Produkts. Diese Bedienungsanleitung vor der Inbetriebnahme sorgfältig durchlesen.



Mischen Sie dieses Produkt, wenn Sie es entsorgen wollen, nicht mit gewöhnlichen Haushaltsabfällen. Es gibt ein getrenntes Sammelsystem für gebrauchte elektronische Produkte, über das die richtige Behandlung, Rückgewinnung und Wiederverwertung gemäß der bestehenden Gesetzgebung gewährleistet wird.

Privathaushalte in den 25 Mitgliedsstaaten der EU, in der Schweiz und in Norwegen können ihre gebrauchten elektronischen Produkte an vorgesehenen Sammeleinrichtungen kostenfrei zurückgeben oder aber an einen Händler zurückgeben (wenn sie ein ähnliches neues Produkt kaufen).

Bitte wenden Sie sich in den Ländern, die oben nicht aufgeführt sind, hinsichtlich der korrekten Verfahrensweise der Entsorgung an die örtliche Kommunalverwaltung. Auf diese Weise stellen Sie sicher, dass das zu entsorgende Produkt der notwendigen Behandlung, Rückgewinnung und Wiederverwertung unterzogen wird, und so mögliche negative Einflüsse auf die Umwelt und die menschliche Gesundheit vermieden werden.

## Produktregistrierung

Besuchen Sie uns auf folgender Website:



Registrieren Sie Ihr Produkt. Wir speichern die Detaildaten Ihres Produktkaufs in einer Datei, sodass wir Ihnen diese Informationen bei Verlust oder Diebstahl des Produkts jederzeit für Ihre Versicherung bereitstellen können.

## Im Störfall

Bei Betriebsstörungen den Händler oder eine PIONEER-Kundendienststelle kontaktieren.

## Über dieses Produkt

Bei diesem Produkt handelt es sich um einen Verstärker für den Subwoofer. Wenn sowohl der linke (L) als auch rechte (R) Kanal mit dem RCA-Eingang dieses Produkts verbunden ist, wird der Ausgang gemischt, da es sich bei diesem Produkt um einen Mono-Verstärker handelt.

### VORSICHT

- Ersetzen Sie die Sicherung niemals durch eine mit einem größeren Wert bzw. Nennwert, als die ursprüngliche Sicherung hatte. Der Gebrauch einer falschen Sicherung kann zu Heißlauf, Rauchentwicklung, Beschädigung des Produkts, Verbrennungen und anderen Verletzungen führen.
- Verwenden Sie den mitgelieferten Sechskantschlüssel, um die Schrauben festzuziehen, wenn Sie die Drähte an den Klemmen befestigen oder die Richtung der Plakette ändern. Der Gebrauch eines langen, im Fachhandel erhältlichen Sechskantschlüssels kann dazu führen, dass ein übermäßiges Anzugsmoment angewandt wird, was zu einer Beschädigung der Klemmen und der Drähte führen kann.

## WARNUNG

- Halten Sie sich bei Batteriekabel und Massekabel stets an die empfohlenen, im Handel erhältlichen Produkte. Das Batteriekabel direkt an den Pluspol (+) der Wagenbatterie und das Massekabel an Karosseriemasse anschließen.
- Fassen Sie den Verstärker nicht mit nassen Händen an, da Sie anderenfalls einen elektrischen Schlag erleiden können. Berühren Sie den Verstärker auch nicht, wenn dieser nass ist.
- Lassen Sie die Lautstärke so eingestellt, dass Sie beim Fahren noch Verkehrsgeräusche hören können. Es ist gefährlich, ein Fahrzeug zu führen, ohne Verkehrsgeräusche von außen hören zu können.
- Die Anschlüsse der Stromversorgung und der Lautsprecher überprüfen, wenn die Sicherung des getrennt erhältlichen Batteriekabels oder die Verstärker-Sicherung durchbrennt. Machen Sie die Ursache ausfindig, beheben Sie die Störung, und ersetzen Sie die Sicherung dann durch eine andere mit derselben Größe und demselben Nennwert.
- Zur Vermeidung von Schäden am Verstärker und Subwoofer unterbricht eine Schutzschaltung automatisch die Stromversorgung zum Verstärker (der Klang setzt aus), sobald ein anomaler Betriebszustand eintritt. Stellen Sie den Betriebsschalter in diesem Fall auf OFF, und überprüfen Sie die Stromversorgungs- und Subwoofer-Anschlüsse. Ermitteln Sie die Ursache des Problems und schaffen Sie umgehend Abhilfe.
- Wenden Sie sich bitte an Ihren Fachhändler, falls sich die Ursache der Störung nicht klären lässt.
- Trennen Sie zur Vermeidung von elektrischen Schlägen und Kurzschlüssen bei der Inbetriebnahme des Gerätes vorher unbedingt das Anschlusskabel vom negativen (-) Batteriepol ab.
- Überzeugen Sie sich, dass sich keine Teile hinter der Konsole befinden, wenn Sie ein Loch zum Einbau des Verstärkers bohren. Achten Sie darauf, dass alle Kabel und wichtigen Teile wie Benzin- und Bremsleitungen und die elektrischen Kabelbäume geschützt sind.
- **ACHTEN** Sie darauf, dass der Verstärker NICHT mit Flüssigkeiten in Berührung kommen kann, zum Beispiel wegen eines ungünstigen Einbauplatzes. Ein elektrischer Schlag könnte die Folge sein. Berührung mit Flüssigkeiten kann auch zu einer Beschädigung von Verstärker und Lautsprechern, sowie zu Rauchbildung und Überhitzung führen. Außerdem können Oberflächen von Verstärker und jeglicher angebrachter Lautsprecher heiß werden, sodass bei Berührung kleinere Verbrennungen verursacht werden könnten.

## MODE SELECT-Schalter

Als Verstärker-Synchronisationsmodus kann MASTER, SYNC oder SYNC INV gewählt werden. Wenn nur ein Verstärker verwendet wird, stellen Sie den MODE SELECT-Schalter auf die Position MASTER. Bei Synchronverbindung von Verstärkern, zwei oder mehr kombiniert, stellen Sie den ersten Verstärker auf MASTER, die anderen auf SYNC oder SYNC INV, je nach Anschlussweise. Verstärkerschaltung auf den Modus SYNC INV erfolgt nur dann, wenn Verstärker synchron mit der ex. Brücke verbunden sind.

Zum Schalten auf den Modus SYNC oder SYNC INV müssen die Schraube und der Anschlag entfernt werden. Entfernen Sie die Schraube und den Anschlag, nachdem Sie sich überzeugt haben, dass die Anschlüsse korrekt sind. Einzelheiten zum MODE SELECT-Schalter finden Sie im Abschnitt "Anschließen der Lautsprecherkabel".

## Bassverstärkungs-Frequenzregler

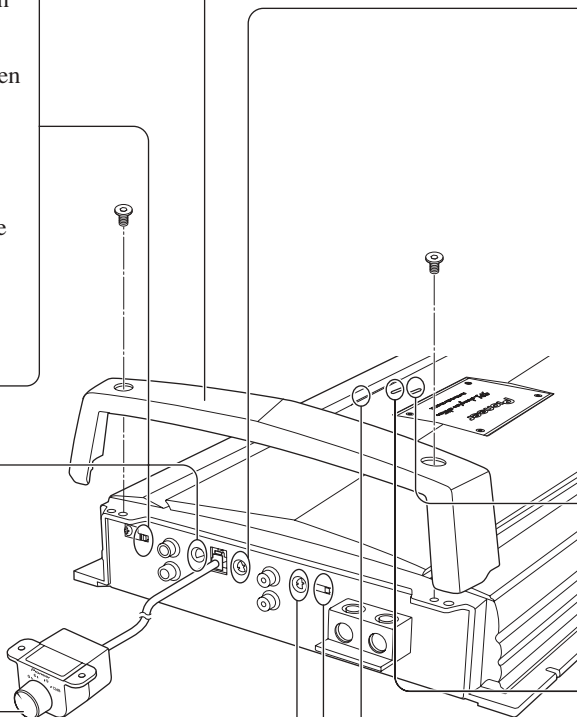
Sie können eine Bassverstärkungsfrequenz zwischen 40 Hz bis 120 Hz mit dem Bassverstärkungs-Frequenzregler auswählen.

## Steuerung des Bassverstärkungspegels

Als Bassverstärkungspegel können Sie entweder 0, 6, 9 oder 12 dB wählen. Anweisungen zum Anschluss der Bassverstärkungs-Fernbedienung an den Verstärker finden Sie im Abschnitt "Anschlussschema".

## Anschlussabdeckung

Vor der Installation lösen Sie die Schrauben mit einem 4-mm-Sechskantschlüssel und nehmen Sie die Anschlussabdeckung ab.



## Ausschaltfrequenz-Regelung für LPF

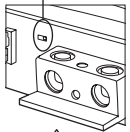
Sie können eine Ausschaltfrequenz zwischen 40 Hz und 240 Hz wählen.



## **Verstärkungsregelung**

Wenn die Lautstärke zu schwach ist, selbst wenn der Lautstärkeregler der zusammen mit diesem Leistungsverstärker verwendeten Auto-Stereo-Anlage aufgedreht wird, drehen Sie den Verstärkungsregler im Uhrzeigersinn. Falls Klangverzerrungen auftreten, wenn die Lautstärke aufgedreht wird, drehen Sie den Verstärkungsregler im Gegenuhrzeigersinn.

- Bei Gebrauch mit einer mit RCA ausgestatteten Auto-Stereoanlage (Standard-Ausgang 500 mV) auf die Position NORMAL einstellen. Bei Gebrauch mit einer mit RCA ausgestatteten Pioneer-Auto-Stereoanlage mit einem maximalen Ausgang von 4 V oder mehr den Pegel dem Auto-Stereoanlagen-Ausgangspegel anpassen.
- Bezüglich Verstärkungsregelung bei Verstärkersynchronisierung siehe Abschnitt "Einstellen der Verstärkung für Verstärkersynchronisierung".



## **Interferenzschutzschalter (BFC)**

Falls Sie bei MW/LW-Empfang mit Ihrer Auto-Stereoanlage Hintergrundgeräusche vernehmen, stellen Sie den BFC-Schalter mithilfe eines kleinen Schraubendrehers ein.

## **Hitze-Anzeige (HEAT) (Gelb)**

Diese Anzeige weist auf ein Problem mit dem Verstärker hin. Siehe den Abschnitt "Fehlersuche" auf Seite 17 für weitere Einzelheiten.

## **Schutzanzeige (PROTECT) (Rot)**

Diese Anzeige weist auf ein Problem mit dem Verstärker hin. Siehe den Abschnitt "Fehlersuche" auf Seite 17 für weitere Einzelheiten.

## **Stromanzeige (Blau)**

Die Stromanzeige leuchtet auf, wenn die Stromversorgung eingeschaltet wird.

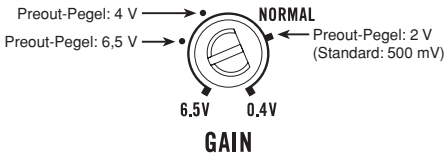
## **Subsonic-Wahlschalter**

Der Subsonic-Filter beschneidet nicht hörbare Frequenzen unter 20 Hz, um ungewünschte Vibrationen zu eliminieren und Leistungsverluste zu minimieren.

## Richtige Einstellung der Verstärkung

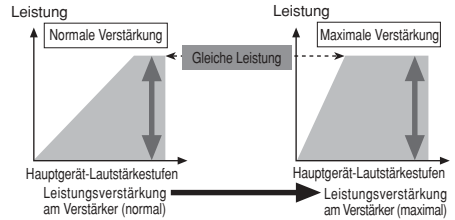
- Dieses Gerät ist mit einer Schutzfunktion ausgestattet, die eine Betriebsstörung des Geräts selbst und eine Beeinträchtigung der Lautsprecher wegen zu hoher Ausgangsleistung, inkorrekten Gebrauchs oder fehlerhaften Anschlusses verhindert.
- Bei Ausgabe von Tonsignalen mit hoher Lautstärke z.B. schaltet diese Funktion die Klangwiedergabe nach einigen Sekunden ab. Dies ist kein Anzeichen für eine Funktionsstörung. Die Klangwiedergabe normalisiert sich, sobald die Lautstärke am Hauptgerät reduziert wird.
- Wenn die Klangwiedergabe unterbrochen wird, könnte der Verstärkungsregler dieses Geräts falsch eingestellt sein. Um fortwährende Klangwiedergabe bei höherer Lautstärke-Einstellung am Hauptgerät zu gewährleisten, stellen Sie den Verstärkungsregler des Verstärkers auf eine dem maximalen Preout-Ausgangspegel des Hauptgeräts entsprechende Position ein.

## Verstärkungsregler dieses Geräts



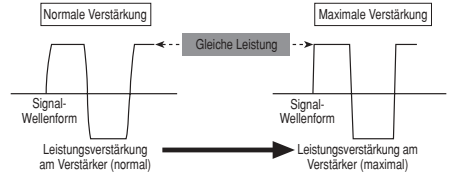
Die Lautstärke muss am Hauptgerät nicht reduziert werden, übermäßige Ausgänge werden kontrolliert.

## Beziehung zwischen Leistungsverstärkung des Verstärkers und Ausgangsleistung des Hauptgeräts



- Wenn die Leistungsverstärkung am Verstärker unangemessen erhöht wird, treten mehr Verzerrungen auf, während die Leistung nur in geringem Maße gesteigert wird.

## Signal-Wellenform bei Klangwiedergabe mit hoher Lautstärke durch Verstärkungsregler am Verstärker



- Bei hohem Ausgang wird die Signal-Wellenform verzerrt, wenn die Leistungsverstärkung des Verstärkers erhöht wird, während die Leistung sich nur geringfügig ändert.
- Wenn auch nach Verminderung der Lautstärke am Hauptgerät und korrekter Einstellung des Verstärkungsreglers am Verstärker noch ab und zu Tonaussetzer auftreten, wenden Sie sich bitte an eine autorisierte PIONEER Kundendienststelle in Ihrer Nähe.

## VORSICHT

- Trennen Sie das Batterieanschlusskabel vom negativen (-) Batteriepol, um Kurzschlüsse und Schäden am Gerät zu vermeiden.
- Befestigen Sie die Kabel mit Kabelklemmen oder Klebeband. Kabel, die Kontakt mit Metallteilen haben, sollten an den betreffenden Stellen mit Klebeband isoliert werden.
- Vermeiden Sie beim Verlegen der Kabel Plätze, an denen die Kabel Wärmeeinwirkung ausgesetzt sind, wie z.B. in der Nähe der Heizung. Derartige Wärmeeinwirkung kann zu einer Beschädigung der Kabelisolierung und schließlich zu Kurzschlüssen über die Fahrzeugkarosserie führen.
- Der Verstärker erhöht die Last der Batterie und des Ladesystems. Vergewissern Sie sich, dass die Drehstromlichtmaschine und die Batterie über ausreichend Kapazität für diesen Verstärker verfügen. Wir empfehlen die Verwendung einer Hochbelastungsbatterie, den parallelen Anschluss von normalen Batterien oder die Verwendung eines Speicherkondensators.

## VORSICHT

### Zur Vermeidung von Schäden und/oder Verletzungen

- Keinesfalls das Lautsprecherkabel direkt erden oder einen negativen Anschluss (-) für mehrere Lautsprecher gleichzeitig anschließen.
- Dieses Gerät ist für Fahrzeuge mit einer 12 Volt Batterie und negativer Erdung bestimmt. Vor dem Einbau in ein Freizeitfahrzeug, Laster oder Bus, die Spannung der Batterie überprüfen.
- Wenn die Autostereoanlage längere Zeit eingeschaltet bleibt, während der Motor nicht oder nur im Leerlauf läuft, so könnte dies zu einer Entladung der Batterie führen. Schalten Sie Ihr Stereogerät aus, wenn der Motor im Leerlauf oder im Stillstand ist.
- Sollte die System-Fernbedienungskabel des Verstärkers am Stromanschluss über den Zündungsschalter angeschlossen sein (12 V Gleichspannung), so ist der Verstärker immer eingeschaltet, wenn die Zündung eingeschaltet wird, unabhängig davon, ob das Stereogerät ein- oder ausgeschaltet ist. In diesem Fall könnte es zu einer Entladung der Batterie kommen, wenn der Motor im Stillstand oder im Leerlauf betrieben wird.
- Schließen Sie KEINEN Subwoofer mit einer niedrigeren Impedanz als im Abschnitt "Anschließen der Lautsprecherkabel" angegeben an. Ein Anschluss, der nicht den Spezifikationen entspricht, kann zu einer Beschädigung,

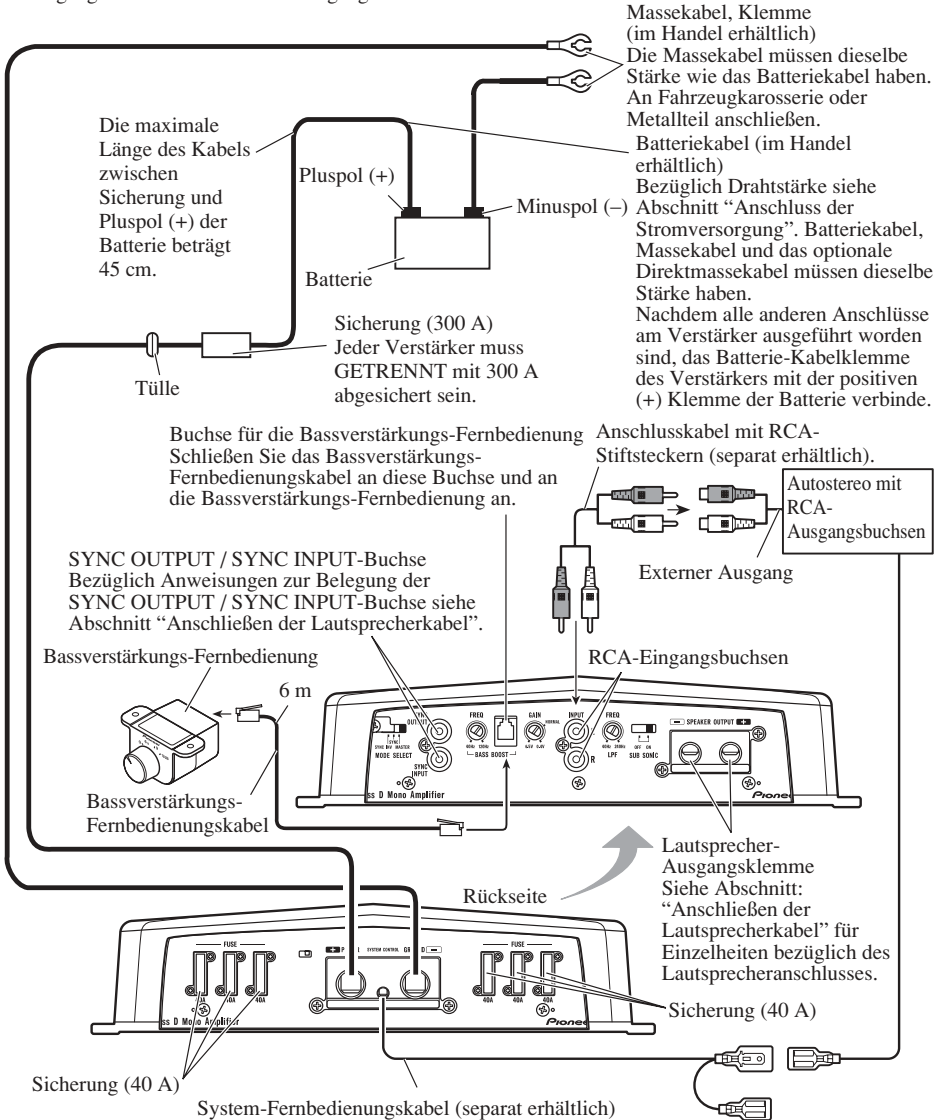
- Achten Sie darauf, dass keines der Kabel bewegliche Fahrzeugteile, wie z.B. den Schalthebel, die Handbremse oder den Sitzverstellhebel, behindert.
- Kürzen Sie die Kabel nicht. Gekürzte Kabel können einen Ausfall der Schutzschaltung verursachen.
- Leiten Sie niemals Strom an andere Geräte, indem Sie die Isolierung des Spannungsversorgungskabels dieses Gerätes freilegen und anzupfen. Die hieraus resultierende Überschreitung der Spannungsbelastungskapazität des Kabels hat Überhitzung zur Folge.
- Ersetzen Sie die Sicherung niemals durch eine mit einem größeren Wert bzw. Nennwert, als die ursprüngliche Sicherung hatte. Der Gebrauch einer falschen Sicherung kann zu Heißlauf, Rauchentwicklung, Beschädigung des Produkts, Verbrennungen und anderen Verletzungen führen.

- Rauchabgabe und Überhitzung des Verstärkers führen. Außerdem kann die Oberfläche des Verstärkers heiß werden und bei Berührung leichte Verbrennungen verursachen.
- Schließen Sie einen der genannten drei Subwoofer an den Verstärker an; 1: einen Subwoofer mit einem Nenneingang von 750 W oder höher und mit einer Impedanz von 4  $\Omega$ , 2: einen Subwoofer mit einem Nenneingang von 1 500 W oder höher und mit einer Impedanz von 2  $\Omega$  oder 3: einen Subwoofer mit einem Nenneingang von 2 000 W oder höher und mit einer Impedanz von 1  $\Omega$ . Wenn Nenneingang und Impedanz außerhalb dieser Bereiche liegen, kann der Subwoofer zu brennen beginnen, Rauch abgeben, oder beschädigt werden.
- Das getrennt erhältliche Batteriekabel installieren und möglichst weit von den Lautsprecherkabeln entfernt verlegen. Getrennt erhältliches Batteriekabel, Massekabel, Lautsprecherkabel und Verstärker möglichst weit von Antenne, Antennenkabel und Tuner entfernt installieren/verlegen.
- Kabel dieses Geräts und die anderer Geräte können unterschiedliche Farben haben, auch wenn sie die gleichen Funktionen haben. Beim Anschluss dieses Geräts an ein anderes Gerät unter Bezugnahme auf die mit beiden Geräten mitgelieferten Anleitungen die Kabel mit derselben Funktion verbinden.

# Anschluss der Einheit

## Anschlusschema

- Für den Anschluss des externen Ausgangs von einer Auto-Stereoanlage an einen RCA-Eingang verwenden Sie die Buchse für Vollbereichsausgang. Der Grund hierfür ist, dass das LPF des Verstärkers nicht ausgeschaltet werden kann. Wenn diese Buchse nicht verwendet werden kann, verbinden Sie die Subwoofer-Ausgangsbuchse mit dem RCA-Eingang.



System-Fernbedienungskabel (separat erhältlich)  
Den Stecker dieses Kabels an die System-Fernbedienungsbuchse der Auto-Stereoanlage anschließen (SYSTEM REMOTE CONTROL). Die Buchse kann am Auto-Antennen-Relais-Anschluss angeschlossen werden. Sollte die Stereoanlage nicht über einen Fernbedienung-System-Regler-Anschluss verfügen, schließen Sie das Steckteil am Stromanschluss des Zündschalters an.

## Lötfreie Verbindungen

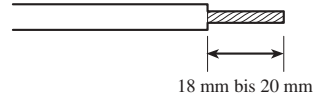
- Da sich der Draht mit der Zeit lockert, muss er regelmäßig überprüft und, falls erforderlich, festgezogen werden.
- Löten oder binden Sie die Enden der verdrehten Leiter nicht.
- Achten Sie beim Befestigen darauf, den Schutzmantel des Leiters nicht festzuklemmen.
- Verwenden Sie den mitgelieferten Inbusschlüssel, um die Klemmschrauben des Verstärkers zu lockern und festzuziehen. Sichern Sie den Draht immer richtig mit den Anschlusschrauben. Da ein zu starkes Festziehen der Anschlusschrauben der System-Fernbedienung jedoch zu einer Beschädigung des Leiters führen kann, achten Sie darauf, die Schrauben nicht zu stark festzuziehen, indem Sie beim Festziehen auf den Zustand des Leiters achten.

## Anschluss der Lautsprecher-Ausgang-Klemmen

### Größe der Lautsprecherdrähte

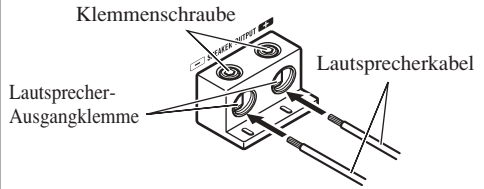
Kabellänge	kürzer als 4,3 m	kürzer als 6,4 m	kürzer als 10,7 m
Drahtstärke	8 AWG	6 AWG	4 AWG

1. Entfernen Sie den Mantel an den Enden der Lautsprecherkabel um ca. 18 mm bis 20 mm mit einer Kniefzange oder einem Schneider.



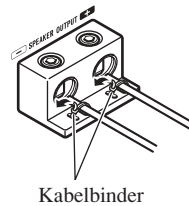
2. Schließen Sie die Lautsprecherkabel an die Lautsprecherausgangsklemmen an.

- Die Lautsprecherdrähte fest mit den Klemmschrauben befestigen.



3. Die Kabelbinder in die Schlitz geben und um die Kabel winden.

- Kabelbinder um die Kabelisolierung, nicht um den blanken Draht winden.
- Schneiden Sie zu überflüssige Teile des Drahtes ab.



## Anschluss der Stromversorgung

- Halten Sie sich bei Batterie und Massekabel stets an die empfohlenen, im Handel erhältlichen Produkte. Das Batteriekabel direkt an den Pluspol (+) der Wagenbatterie und das Massekabel an Karosseriemasse anschließen.
- Die empfohlene Drahtgröße (AWG: American Wire Gauge) ist wie folgt. Batteriekabel, Massekabel und das optionale Direktmassekabel müssen dieselbe Stärke haben.
- Verwenden Sie einen Draht von 10 AWG bis 20 AWG für das Fernbedienungskabel des Systems.

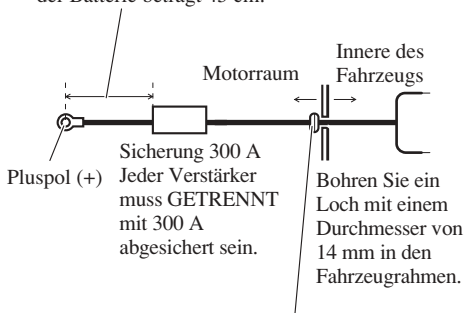
### Batteriekabel und Massekabel-Drahtstärke

Kabellänge	kürzer als 2,1 m	kürzer als 3,6 m	kürzer als 5,2 m	kürzer als 6,4 m
Drahtstärke	4 AWG	2 AWG	1 AWG	0 AWG

## 1. Führen Sie das Batteriekabel vom Motorraum in den Fahrgastraum.

- Nachdem alle Verkabelungen am Verstärker ausgeführt worden sind, verbinden Sie die Batterie-Kabelklemme des Verstärkers mit der positiven (+) Klemme der Batterie.

Die maximale Länge des Kabels zwischen Sicherung und Pluspol (+) der Batterie beträgt 45 cm.



Setzen Sie die O-Ring-Gummidichtung in den Fahrzeugrahmen ein.

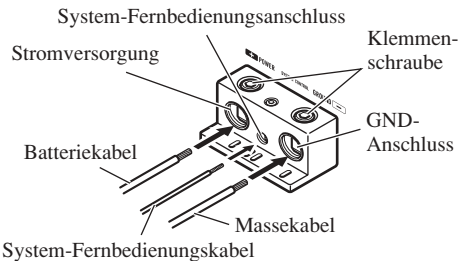
## 2. Entfernen Sie den Mantel an den Kabelenden mit einer Kneifzange oder einem Schneider.

- Batteriekabel, Erdleiter: 23 mm bis 25 mm
- Fernbedienungskabel des Systems: 14 mm bis 16 mm



## 3. Die Drähte an die Klemme anschließen.

- Befestigen Sie die Drähte sicher mit den Klemmschrauben.

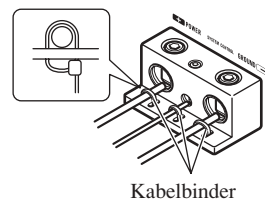


## ⚠️ WARNUNG

Wenn das Batteriekabel mit den Klemmschrauben nicht richtig befestigt wird, kann der Klemmenbereich heiß werden, wodurch Schäden und Verletzungen, wie Verbrennungen, verursacht werden können.

## 4. Die Kabelbinder in die Schlitz geben und um die Kabel winden.

- Kabelbinder um die Kabelisolation, nicht um den blanken Draht winden.
- Schneiden Sie zu überflüssige Teile des Drahtes ab.



## Einstellen der Verstärkung für Verstärkersynchronisierung

---

Nachdem Sie die Lautsprecherkabel angeschlossen haben, stellen Sie die Verstärkungsregelung jedes synchronisierten Verstärkers ein. Alle synchronisierten Verstärker folgen den Einstellungen des Master-Verstärkers.

### Schnelleinstellung der Verstärkung

Stellen Sie den Verstärkungsregler jedes synchronisierten Verstärkers auf NORMAL. In dieser Einstellung werden die Leistungspegel für die meisten Anwendungen zufriedenstellend abgeglichen.

### Genauere Einstellung der Verstärkung

Stellen Sie die Verstärkungsregelung jedes synchronisierten Verstärkers der Reihe nach ein, wobei Sie mit dem Master-Verstärker beginnen.

1. Geben Sie eine Sinuswelle über dieses System mit niedrigem Ausgangspegel aus.
2. Messen Sie den Ausgangsspannungspegel des Master-Verstärkers mit einem Voltmeter.
3. Messen Sie den Ausgangsspannungspegel des synchronisierten Verstärkers mit einem Voltmeter.
4. Passen Sie den Ausgang des synchronisierten Verstärkers mit dem Verstärkungsregler an diesem Verstärker dem Ausgang des Master-Verstärkers an.
5. Wiederholen Sie das Verfahren für jeden synchronisierten Verstärker in der richtigen Reihenfolge.

## Anschließen der Lautsprecherkabel

---

Schließen Sie die Lautsprecherkabel so an, und stellen Sie den Schalter MODE SELECT so ein, wie es der gewünschten Konfiguration gemäß den unten und auf der nächsten Seite gezeigten Abbildungen entspricht.

- Bei Synchronverbindung von Verstärkern, zwei oder mehr kombiniert, verwenden Sie nur diese Verstärker. Setzen Sie diese Verstärker nicht gleichzeitig mit anderen Verstärkern ein.
- Bei Synchronverbindung von Verstärkern, zwei oder mehr kombiniert, stellen Sie Verstärkungsregler, Subsonic-Wahlschalter, Grenzfrequenzregler für LPF und Bassverstärkungsregler an dem Verstärker ein, der mit dem MODE SELECT-Schalter auf MASTER geschaltet worden ist. Bei einem auf SYNC oder SYNC INV geschalteten Verstärker können diese Einstellungen außer der Verstärkungsregelung nicht vorgenommen werden. Weitere Einzelheiten zur Verstärkungsregelung finden Sie unter "Einstellen der Verstärkung für Verstärkersynchronisierung".

## **! VORSICHT**

Diagramm A - Richtig

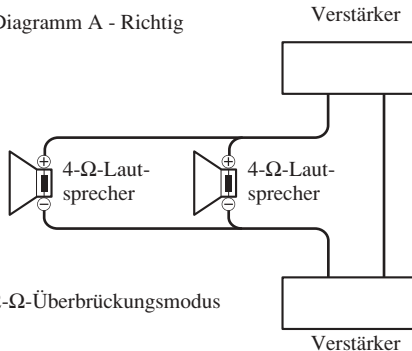
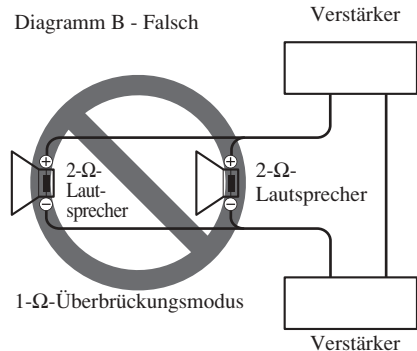


Diagramm B - Falsch



Diesen Verstärker NICHT mit parallel verdrahteten Lautsprechern mit einer Nennimpedanz von 2 Ω (oder darunter) einbauen oder verwenden, um einen Überbrückungsmodus von 1 Ω (oder darunter) zu erzielen (Diagramm B).

Falsche Überbrückung kann den Verstärker beschädigen und zu Rauchbildung und Überhitzung führen. Außerdem kann die Oberfläche des Verstärkers heiß werden und beim Anfassen leichte Verbrennungen verursachen.

Für korrekte Installation oder Verwendung eines Überbrückungsmodus und Erzielung einer 2-Ω-Last, verdrahten Sie zwei 4-Ω-Lautsprecher parallel mit Links + und Rechts - (Diagramm A), oder verwenden Sie einen einzelnen 2-Ω-Lautsprecher.

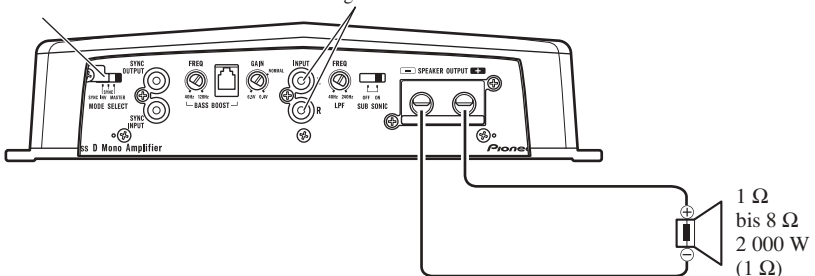
Lesen Sie außerdem in der Lautsprecheranleitung nach, wie der Anschluss vorzunehmen ist.

## Einzelverstärker

Der MODE SELECT-Schalter muss sich in der Position MASTER befinden.

Mit Auto-Stereoanlage verbinden.

Bezüglich Einzelheiten siehe Abschnitt "Anschlusschema".



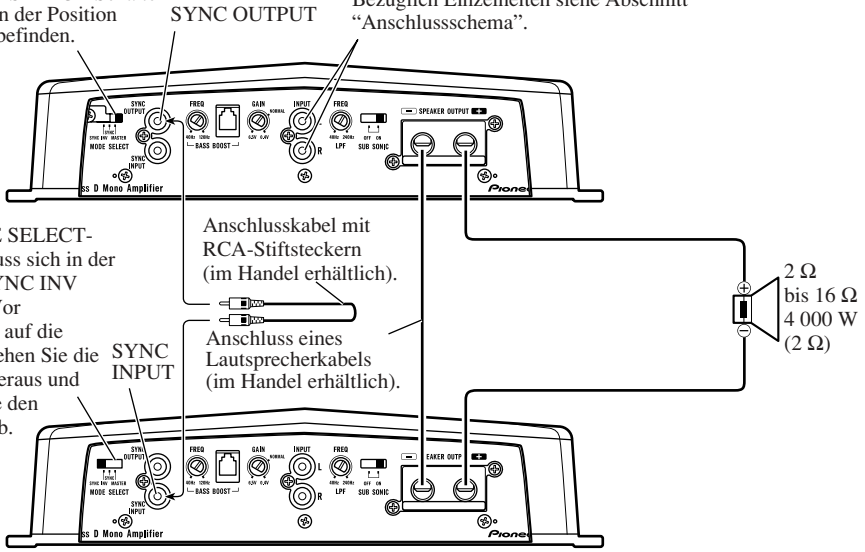
- Verwenden Sie Lautsprecher mit einer Impedanz zwischen 1 Ω und 8 Ω.



## Zwei Verstärker (Ex. Brücke)

Der MODE SELECT-Schalter muss sich in der Position MASTER befinden.

Mit Auto-Stereoanlage verbinden.  
Bezüglich Einzelheiten siehe Abschnitt "Anschlusschema".



Der MODE SELECT-Schalter muss sich in der Position SYNC INV befinden. Vor Einstellung auf die Position drehen Sie die Schraube heraus und nehmen Sie den Anschlag ab.

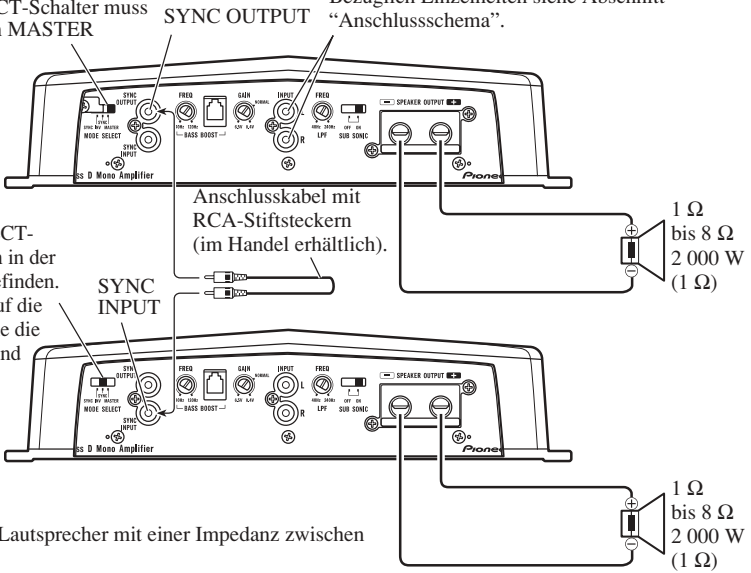
Anschlusskabel mit RCA-Stiftsteckern (im Handel erhältlich).  
Anschluss eines Lautsprecherkabels (im Handel erhältlich).

- Verwenden Sie nur Lautsprecher mit einer Impedanz zwischen 2 Ω und 16 Ω. Im Falle eines Anschlusses mehrerer Lautsprecher mit einer Brücke vergewissern Sie sich außerdem, dass die synthetische Impedanz mindestens 2 Ω beträgt.

## Zwei Verstärker

Der MODE SELECT-Schalter muss sich in der Position MASTER befinden.

Mit Auto-Stereoanlage verbinden.  
Bezüglich Einzelheiten siehe Abschnitt "Anschlusschema".



Der MODE SELECT-Schalter muss sich in der Position SYNC befinden. Vor Einstellung auf die Position drehen Sie die Schraube heraus und nehmen Sie den Anschlag ab.

Anschlusskabel mit RCA-Stiftsteckern (im Handel erhältlich).

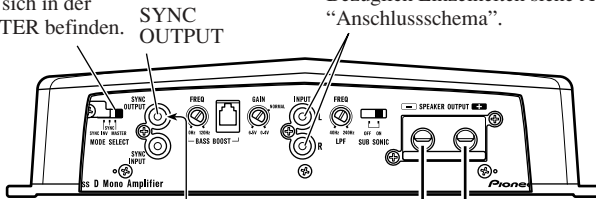
- Verwenden Sie Lautsprecher mit einer Impedanz zwischen 1 Ω und 8 Ω.

# Anschluss der Einheit

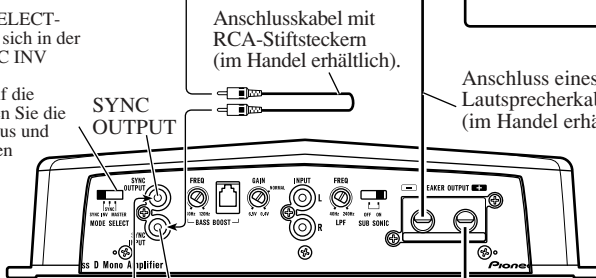
## Vier Verstärker (Ex. Brücke)

Der MODE SELECT-Schalter muss sich in der Position MASTER befinden.

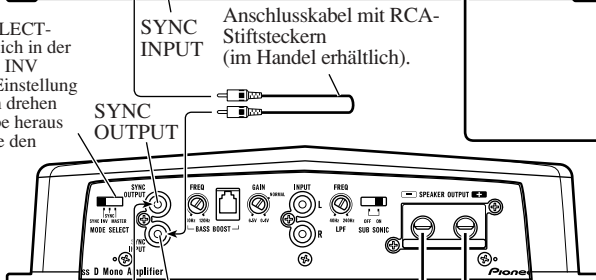
Mit Auto-Stereoanlage verbinden. Bezüglich Einzelheiten siehe Abschnitt "Anschlussschema".



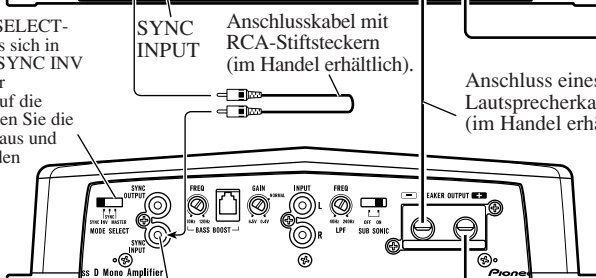
Der MODE SELECT-Schalter muss sich in der Position SYNC INV befinden. Vor Einstellung auf die Position drehen Sie die Schraube heraus und nehmen Sie den Anschlag ab.



Der MODE SELECT-Schalter muss sich in der Position SYNC INV befinden. Vor Einstellung auf die Position drehen Sie die Schraube heraus und nehmen Sie den Anschlag ab.



Der MODE SELECT-Schalter muss sich in der Position SYNC INV befinden. Vor Einstellung auf die Position drehen Sie die Schraube heraus und nehmen Sie den Anschlag ab.



Anschluss eines Lautsprecherkabels (im Handel erhältlich).

Anschluss eines Lautsprecherkabels (im Handel erhältlich).

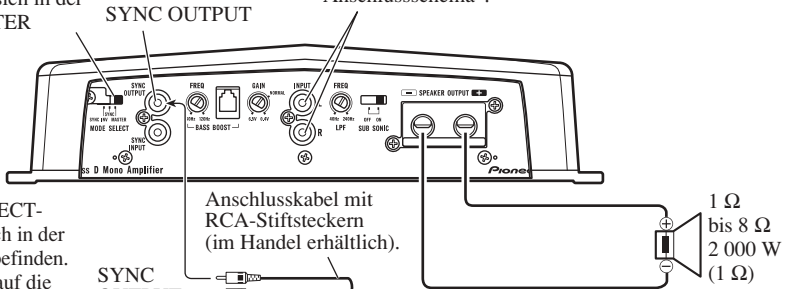
2 Ω  
bis 16 Ω  
8 000 W  
(2 Ω DVC)

- Verwenden Sie nur Lautsprecher mit einer Impedanz zwischen 2 Ω und 16 Ω. Im Falle eines Anschlusses mehrerer Lautsprecher mit einer Brücke vergewissern Sie sich außerdem, dass die synthetische Impedanz mindestens 2 Ω beträgt.

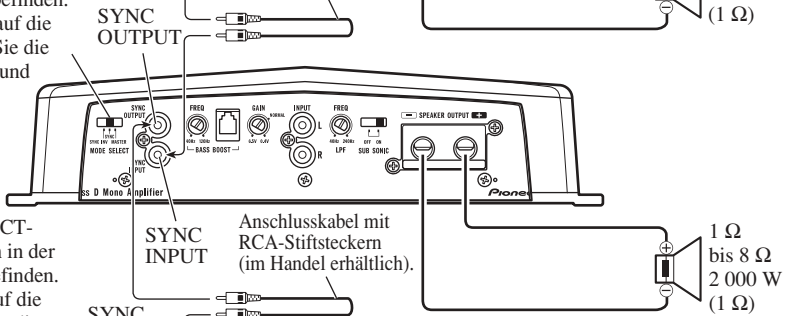
## Vier Verstärker

Der MODE SELECT-Schalter muss sich in der Position MASTER befinden.

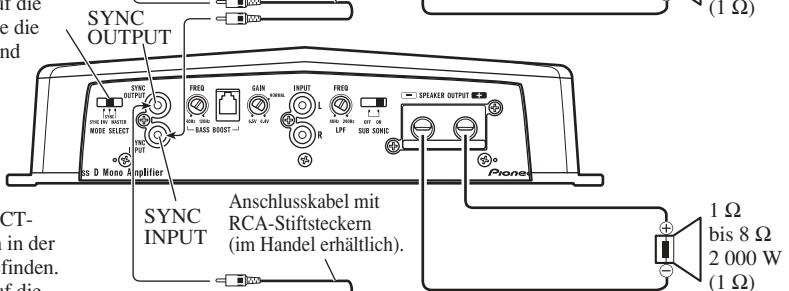
Mit Auto-Stereoanlagen verbinden. Bezüglich Einzelheiten siehe Abschnitt "Anschlusschema".



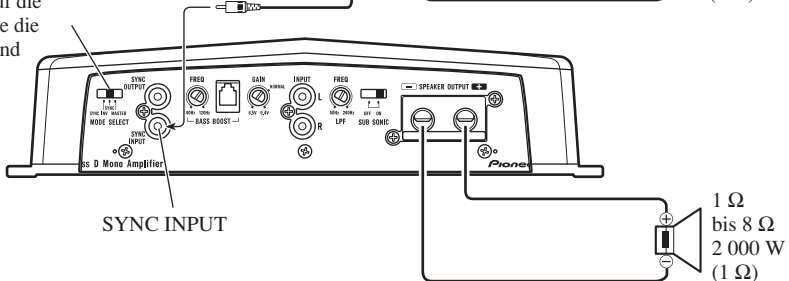
Der MODE SELECT-Schalter muss sich in der Position SYNC befinden. Vor Einstellung auf die Position drehen Sie die Schraube heraus und nehmen Sie den Anschlag ab.



Der MODE SELECT-Schalter muss sich in der Position SYNC befinden. Vor Einstellung auf die Position drehen Sie die Schraube heraus und nehmen Sie den Anschlag ab.



Der MODE SELECT-Schalter muss sich in der Position SYNC befinden. Vor Einstellung auf die Position drehen Sie die Schraube heraus und nehmen Sie den Anschlag ab.



- Verwenden Sie Lautsprecher mit einer Impedanz zwischen 1 Ω und 8 Ω.

## ⚠ VORSICHT

- Keinesfalls an Orten einbauen:
  - Plätze, an denen sich der Fahrer oder die Fahrzeuginsassen bei plötzlichem Abbremsen am Gerät verletzen könnten.
  - Plätze, an denen das Gerät den Fahrer behindern könnte, wie z.B. auf dem Boden vor der Fahrersitz.
- Achten Sie darauf, dass sich die Anschlusskabel nicht im Schiebemechanismus der Sitze verklemmen und auf diese Weise einen Kurzschluss verursachen.
- Bestätigen Sie vor dem Bohren, dass sich hinter der Konsole keine Teile befinden, die nicht beschädigt werden dürfen. Schützen Sie alle Kabel und wichtigen Teile wie Benzinleitungen und Bremsleitungen und elektrischen Leitungen vor Schäden.
- Bringen Sie Schneidschrauben so an, dass die Schraubenspitze keines der Kabel berührt. Andernfalls können die Kabel durch die Vibrationen des Fahrzeugs beschädigt werden und Brände verursachen.
- **ACHTEN** Sie darauf, dass der Verstärker **NICHT** mit Flüssigkeiten in Berührung kommen kann, zum Beispiel wegen eines ungünstigen Einbauplatzes. Ein elektrischer Schlag könnte die Folge sein. Berührung mit Flüssigkeiten kann auch zu einer Beschädigung von Verstärker und Lautsprechern, sowie zu Rauchbildung und Überhitzung führen. Außerdem können Oberflächen von Verstärker und jeglicher angebrachter Lautsprecher heiß werden, sodass bei Berührung kleinere Verbrennungen verursacht werden könnten.
- Um einen ordnungsgemäßen Einbau zu gewährleisten, verwenden Sie die mitgelieferten Teile wie spezifiziert. Falls andere Teile außer den spezifizierten verwendet werden, so könnten innere Teile des Verstärkers beschädigt werden oder diese könnten sich lösen, und der Verstärker sich ausschalten.
- Ersetzen Sie die Sicherung niemals durch eine mit einem größeren Wert bzw. Nennwert, als die ursprüngliche Sicherung hatte. Der Gebrauch einer falschen Sicherung kann zu Heißlauf, Rauchentwicklung, Beschädigung des Produkts, Verbrennungen und anderen Verletzungen führen.

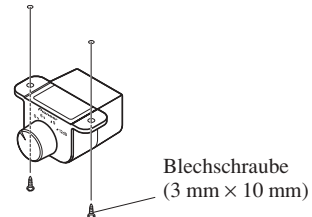
## ⚠ VORSICHT

### Zur Vermeidung von Funktionsstörungen und/oder Verletzungen

- Beachten Sie zur Gewährleistung ausreichender Wärmeableitung beim Einbau die folgende Punkte.
  - Lassen Sie genügend Freiraum über dem Verstärker, damit richtige Ventilation gewährleistet ist.
  - Decken Sie den Verstärker nicht mit einer Bodenmatte oder einem Teppich ab.
- **ACHTEN** Sie darauf, dass der Verstärker **NICHT** mit Flüssigkeiten in Berührung kommen kann, zum Beispiel wegen eines ungünstigen Einbauplatzes. Ein elektrischer Schlag könnte die Folge sein. Berührung mit Flüssigkeiten kann auch zu einer Beschädigung von Verstärker und Lautsprechern, sowie zu Rauchbildung und Überhitzung führen. Außerdem können Oberflächen von Verstärker und jeglicher angebrachter Lautsprecher heiß werden, sodass bei Berührung kleinere Verbrennungen verursacht werden könnten.
- Bauen Sie den Verstärker nicht an unstablen Plätzen ein, wie z.B. auf dem Ersatzreifenhalter.
- Die beste Einbauposition ist je nach Autotyp unterschiedlich. Befestigen Sie den Verstärker an einem sicheren Platz.
- Führen Sie vorübergehende Anschlüsse zuerst durch, und stellen Sie sicher, dass der Verstärker und das System sicher funktionieren.
- Achten Sie nach dem Einbau des Verstärkers darauf, dass Ersatzreifen, Wagenheber und Werkzeuge noch leicht zugänglich sind.

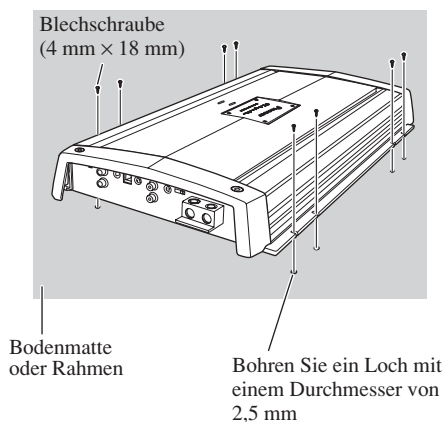
### Befestigen der Fernbedienung für die Bassverstärkung

Befestigen Sie die beiden Blechschrauben (3 mm × 10 mm) an einem leicht zugänglichen Ort, beispielsweise unter dem Armaturenbrett.



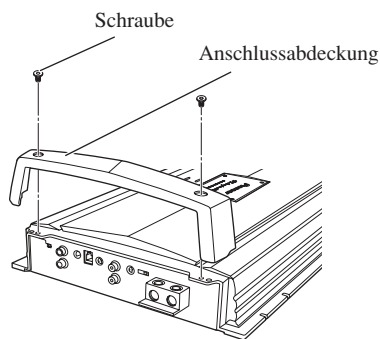
## Beispiel eines Einbaus auf einer Bodenmatte oder auf dem Rahmen

1. Legen Sie den Verstärker auf die Stelle, an welcher dieser eingebaut werden soll. Setzen Sie die mitgelieferten Schneidschrauben (4 mm × 18 mm) in die Schraubenlöcher ein. Drücken Sie die Schrauben mit einem Schraubenzieher, sodass diese Markierungen hinterlassen, wo diese eingesetzt werden sollen.
2. Bohren Sie Löcher mit einem Durchmesser von 2,5 mm an den zuvor markierten Punkten, und bringen Sie den Verstärker an, entweder direkt am Teppich oder am Rahmen.



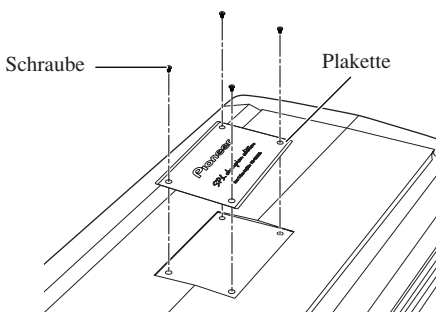
## Wiederanbringen der Anschlussabdeckung

1. Richten Sie die Anschlussabdeckung auf das Gerät aus und setzen Sie die Schraube ein.
2. Ziehen Sie die Schraube mit einem 4-mm-Sechskantschlüssel fest.



## Ändern der Ausrichtung der Plakette

1. Um die Plakette abzunehmen, lockern Sie die Schrauben mit einem 2-mm-Inbusschlüssel.
2. Ändern Sie die Ausrichtung der Plakette, und ziehen Sie dann die Schrauben erneut mit dem Inbusschlüssel fest.



### Fehlersuche

---

Die folgenden Anzeigen leuchten vorübergehend auf, wenn der Verstärker eingeschaltet wird. Dies ist keine Fehlfunktion.

#### **Hitze-Anzeige (HEAT)**

- Diese Anzeige leuchtet gelb auf, wenn die Temperatur im Verstärker ansteigt. Schalten Sie den Verstärker in diesem Fall sofort aus, und überprüfen Sie den Installationsort des Verstärkers. (Siehe den Abschnitt "WARNUNG" auf Seite 2.) Falls das Problem dadurch nicht behoben werden kann, wenden Sie sich an Ihren Fachhändler.

#### **Schutzanzeige (PROTECT)**

- Diese Anzeige blinkt oder leuchtet rot, wenn ein Problem im Verstärker aufgetreten ist. Schalten Sie den Verstärker in diesem Fall sofort aus, und überprüfen Sie die Verdrahtung des Verstärkers. (Siehe den Abschnitt "WARNUNG" auf Seite 2.) Falls das Problem dadurch nicht behoben werden kann, wenden Sie sich an Ihren Fachhändler.

Stromversorgung .....	14,4 V Gleichspannung (Toleranz 10,8 V bis 15,1 V)
Erdungssystem .....	Negativ
Leistungsaufnahme .....	67 A (bei gleich bleibendem Strom, 4 $\Omega$ )
Durchschnittliche Stromentnahme* .....	18 A (4 $\Omega$ für ein Kanal) 38 A (2 $\Omega$ für ein Kanal) 55 A (1 $\Omega$ für ein Kanal)
Sicherung .....	40 A $\times$ 6
Abmessungen .....	586 (B) $\times$ 65 (H) $\times$ 282 (T) mm
Gewicht .....	9,1 kg (Kabel nicht eingeschlossen)
Max. Ausgangsleistung .....	1 500 W $\times$ 1 (4 $\Omega$ ) / 3 000 W $\times$ 1 (2 $\Omega$ ) / 4 000 W $\times$ 1 (1 $\Omega$ )
Dauerleistung (14,4 V) .....	4 $\Omega$ , 20 Hz bis 240 Hz, $\leq$ 1,0 % THD, 750 W $\times$ 1 2 $\Omega$ , 50 Hz, $\leq$ 1,0 % THD, 1 500 W $\times$ 1 1 $\Omega$ , 50 Hz, $\leq$ 1,0 % THD, 2 000 W $\times$ 1
Verbraucher-Impedanz .....	4 $\Omega$ (1 $\Omega$ bis 8 $\Omega$ zulässig)
Frequenzgang .....	10 Hz bis 240 Hz (+0 dB, -3 dB)
Rauschabstand .....	85 dB (IEC-A-Netz)
Verzerrungen .....	0,3% (10 W / 4 $\Omega$ , 100 Hz)
Tiefpassfilter .....	Trennfrequenz: 40 Hz bis 240 Hz Trennkurve: -24 dB/oct.
Subsonic-Filter (HPF) .....	Frequenz: 20 Hz Kurve: -24 dB/oct.
Bassverstärkung .....	Frequenz: 40 Hz bis 120 Hz Pegel: 0 / 6 / 9 / 12 dB
Verstärkungsregelung .....	RCA: 400 mV bis 6,5 V
Max. Eingangsstufe / Impedanz .....	RCA: 6,5 V / 22 k $\Omega$

## Hinweis:

- Änderungen der technischen Daten und des Designs jederzeit vorbehalten.

## \*Durchschnittliche Stromentnahme

- Die durchschnittliche Stromentnahme entspricht fast der maximalen Stromentnahme dieses Gerätes, wenn ein Audiosignal eingegeben wird. Verwenden Sie diesen Wert, wenn Sie die Gesamtstromentnahmen für mehrere Leistungsverstärker berechnen wollen.

<b>Avant d'utiliser cet appareil</b> .....	<b>1</b>
Enregistrement du produit .....	1
En cas d'anomalie .....	2
Quelques mots concernant cet appareil .....	2
PRÉCAUTION .....	2
ATTENTION .....	2
<b>Réglage de l'appareil</b> .....	<b>3</b>
Commutateur MODE SELECT .....	3
Commande de fréquence de l'accentuation des graves .....	3
Commande du niveau d'accentuation des graves .....	3
Couvre-bornes .....	3
Commande de la fréquence de coupure pour LPF .....	3
Commande du gain .....	4
Interrupteur BFC (Commande de fréquence de battement) .....	4
Témoin HEAT .....	4
Témoin PROTECT .....	4
Témoin d'alimentation .....	4
Sélecteur infrasonore .....	4
Réglage correct du gain .....	5
<b>Raccordement de l'appareil</b> .....	<b>6</b>
Schéma de raccordement .....	7
Prise de connexion sans soudure .....	8
Raccordement des bornes de sortie vers les haut-parleurs .....	8
Raccordement de la borne d'alimentation .....	9
Réglage du gain de l'amplificateur associé ....	10
Connexion des câbles des haut-parleurs .....	10
<b>Installation</b> .....	<b>15</b>
Fixation de la télécommande d'accentuation des graves .....	15
Exemple d'installation sur le tapis de sol ou sur le châssis .....	16
Remise en place du couvre-bornes .....	16
Changement de la direction de l'étiquette signalétique .....	16
<b>Informations complémentaires</b> .....	<b>17</b>
Guide de dépannage .....	17
<b>Caractéristiques techniques</b> .....	<b>18</b>

Nous vous remercions d'avoir acheté cet appareil PIONEER. Avant de l'utiliser, prendre soin de lire ce manuel.



Si vous souhaitez vous débarrasser de cet appareil, ne le mettez pas à la poubelle avec vos ordures ménagères. Il existe un système de collecte séparé pour les appareils électroniques usagés, qui doivent être récupérés et recyclés conformément à la législation.

Les habitants des 25 états membres de l'UE, de Suisse et de Norvège peuvent retourner gratuitement leurs appareils électroniques usagés aux centres de collecte agréés ou à un détaillant (si vous rachetez un appareil similaire neuf). Dans les pays qui ne sont pas mentionnés ci-dessus, veuillez contacter les autorités locales pour savoir comment vous pouvez vous débarrasser de vos appareils. Vous garantirez ainsi que les appareils dont vous vous débarrassez sont correctement récupérés, traités et recyclés et préviendrez de cette façon les impacts néfastes possibles sur l'environnement et la santé humaine.

## Enregistrement du produit

Rendez-nous visite sur le site suivant:



Enregistrez votre produit. Nous conserverons sur fichier les détails de votre achat pour vous permettre de vous reporter à ces informations en cas de déclaration à votre assurance pour perte ou vol.



## En cas d'anomalie

En cas d'anomalie de fonctionnement, veuillez consulter le distributeur ou le centre d'entretien PIONEER le plus proche.

## Quelques mots concernant cet appareil

Cet appareil est un amplificateur pour haut-parleur d'extrême grave. Si les deux canaux, L (gauche) et R (droit), sont connectés à l'entrée cinch (RCA) de cet appareil, la sortie est mixée parce que cet appareil est un amplificateur monaural.

## PRÉCAUTION

- Ne remplacez pas le fusible par un fusible de plus grande valeur ou de plus grand calibre. L'utilisation d'un fusible inadapté peut entraîner une surchauffe et de la fumée, et peut provoquer l'endommagement de l'appareil et des blessures, y compris des brûlures.
- Utilisez la clé hexagonale fournie pour serrer les vis lors de la fixation des câbles sur la borne ou lors du changement de la direction de l'étiquette signalétique. L'utilisation d'une longue clé hexagonale en vente dans le commerce peut entraîner l'application d'un couple de serrage excessif et endommager les bornes et les câbles.

## ATTENTION

- Utilisez le câble de liaison à la batterie et le câble de masse consoillés; ils sont vendus séparément. Reliez le câble rouge à la borne positive (+) de la batterie et le câble de masse à la carrosserie du véhicule.
- Ne touchez pas l'amplificateur quand vous avez les mains mouillées, faute de quoi vous risquez de ressentir une secousse électrique. Pareillement, ne touchez pas l'amplificateur s'il est mouillé.
- Pour votre sécurité et celles des autres usagers de la route, maintenez le niveau d'écoute à une valeur telle que les bruits de la circulation demeurent nettement perceptibles.
- Si le fusible monté sur le câble de liaison à la batterie, câble qui est vendu séparément, a grillé ou bien s'il en est ainsi de celui de l'amplificateur, vérifiez soigneusement toutes les connexions d'alimentation. Recherchez la cause de l'anomalie puis corrigez-la; enfin, remplacez le fusible grillé par un fusible de même taille et de même calibre.
- Pour éviter d'endommager l'amplificateur et du haut-parleur d'extrême grave, le circuit de protection coupe l'alimentation de l'amplificateur (les sons ne sont plus émis) dès que survient une situation anormale. Dans ce cas, mettez l'ensemble des appareils hors tension et contrôlez les liaisons entre l'amplificateur et du haut-parleur d'extrême grave. Le cas échéant, recherchez la cause de l'anomalie et corrigez-la.
- Consultez le revendeur si vous n'êtes pas en mesure de résoudre le problème qui se pose à vous.
- Pour éviter toute secousse électrique et tout risque de court-circuit au cours des opérations de raccordement et d'installation, n'oubliez pas de débrancher le câble relié au pôle négatif de la batterie (-) avant d'effectuer quelque opération que ce soit.
- Avant d'effectuer un perçage requis par l'installation de l'amplificateur, assurez-vous que vous pouvez le faire sans danger pour les câbles, canalisations, flexibles, etc., qui sont placés derrière le panneau que vous devez percer.
- **NE LAISSEZ PAS** l'amplificateur entrer en contact avec des liquides à cause, par exemple, de l'emplacement où il a été placé. Cela pourrait entraîner une secousse électrique. De plus, le contact avec un liquide pourrait endommager l'amplificateur et les enceintes, produire de la fumée ou surchauffer l'appareil. Enfin, la surface de l'amplificateur et des enceintes connectées peut devenir chaude au toucher et entraîner de légères brûlures.

## Commutateur MODE SELECT

Vous pouvez sélectionner le mode de synchronisation de l'amplificateur, à savoir MASTER, SYNC et SYNC INV. Réglez le commutateur MODE SELECT sur la position MASTER si vous utilisez uniquement un amplificateur. Si vous utilisez deux amplificateurs ou plus en combinaison et connecteur de façon synchrone, réglez le premier amplificateur sur MASTER, et les amplificateurs restants sur SYNC ou SYNC INV en fonction de la façon dont ils sont connectés. Réglez le commutateur d'un amplificateur sur SYNC INV uniquement quand les amplificateurs sont connectés de façon synchrone avec un montage en pont ex. Pour régler le commutateur sur SYNC ou SYNC INV, retirez la vis et la butée. Retirez la vis et la butée après avoir vérifié que les connexions sont correctes. Pour en savoir plus sur le commutateur MODE SELECT, reportez-vous à la section "Connexion des câbles des haut-parleurs".

## Commande de fréquence de l'accentuation des graves

Cette commande permet de choisir la fréquence, entre 40 Hz et 120 Hz, autour de laquelle doit s'effectuer l'accentuation.

## Commande du niveau d'accentuation des graves

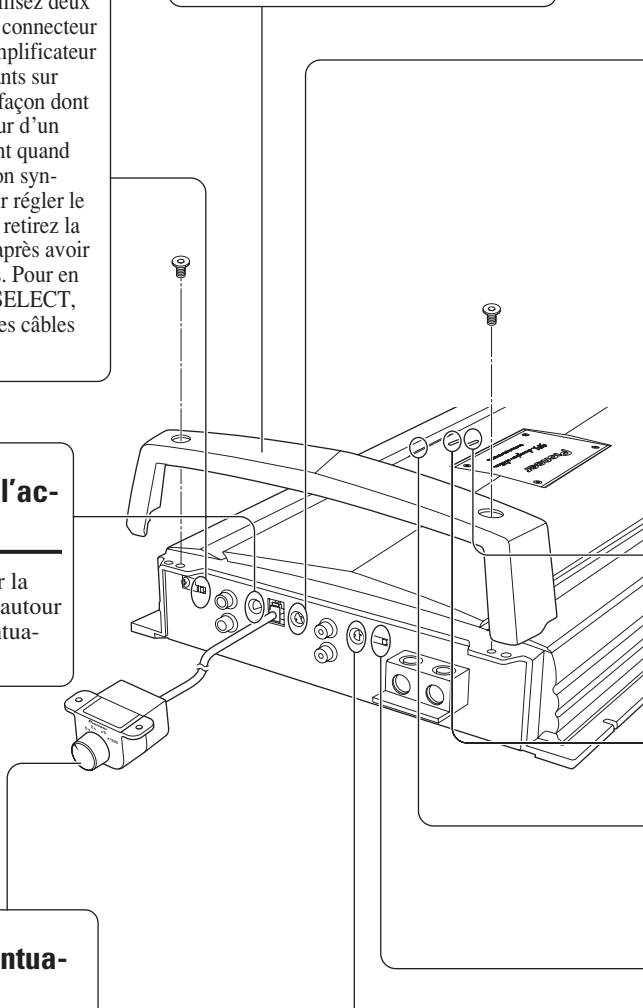
Vous pouvez choisir un niveau d'accentuation de 0, 6, 9 ou 12 dB. Pour connaître la manière de relier le boîtier de télécommande d'accentuation des graves à l'amplificateur, reportez-vous à la section "Schéma de raccordement".

## Couvre-bornes

Avant de mettre l'appareil en place, dévissez les vis avec un tournevis à pointe hexagonale de 4 mm et retirez le couvre-bornes.

## Commande de la fréquence de coupure pour LPF

La fréquence de coupure peut être choisie entre 40 Hz et 240 Hz.



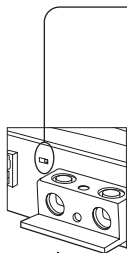
## Commande du gain

Si le niveau d'écoute est faible même lorsque la commande de l'autoradio est sur la position correspondant au maximum, tournez la commande de gain dans le sens des aiguilles d'une montre. Inversement, si vous constatez de la distorsion lorsque vous augmentez le niveau de sortie de l'autoradio, tournez cette commande dans le sens contraire des aiguilles d'une montre.

- Choisissez la position NORMAL si l'autoradio stéréo est équipé de prises Cinch (RCA) (niveau de sortie standard à 500 mV). Si cet appareil est utilisé conjointement avec un autoradio stéréo Pioneer pourvu de prises Cinch (RCA) sur lesquelles peuvent se trouver une tension de sortie de 4 V ou plus, réglez le niveau en fonction du niveau de sortie de l'autoradio.
- Pour la commande de gain de l'amplificateur associé, reportez-vous à la section "Réglage du gain de l'amplificateur associé".

## Interrupteur BFC (Commande de fréquence de battement)

Si vous entendez un battement pendant l'écoute d'une transmission MW/LW (PO/GO) avec votre autoradio, changer la position de l'interrupteur BFC en utilisant un petit tournevis standard.



## Témoin HEAT (Jaune)

Ce témoin indique un problème avec l'amplificateur. Reportez-vous à la section "Guide de dépannage" à la page 17 pour en savoir plus.

## Témoin PROTECT (Rouge)

Ce témoin indique un problème avec l'amplificateur. Reportez-vous à la section "Guide de dépannage" à la page 17 pour en savoir plus.

## Témoin d'alimentation (Bleu)

Ce témoin s'éclaire lorsque l'amplificateur est sous tension.

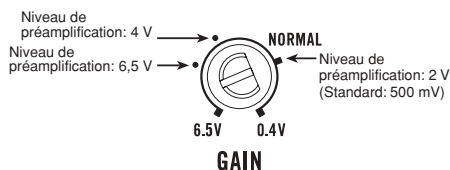
## Sélecteur infrasonore

Le filtre infrasonore coupe les fréquences inférieures à 20 Hz afin de supprimer les vibrations indésirables et de réduire les pertes de puissance.

## Réglage correct du gain

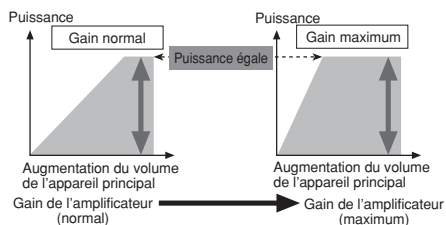
- Cet appareil est muni d'une fonction de protection qui protège l'appareil et les enceintes de tout mauvais fonctionnement dû à une utilisation incorrecte ou à une connexion incorrecte.
- Quand le son est sorti à un niveau de volume élevé, etc. cette fonction coupe la sortie du son en quelques secondes. Ce n'est pas un mauvais fonctionnement. Si vous baissez le niveau de volume de l'appareil principal, la sortie du son est rétablie.
- Si la sortie du son est coupée, c'est peut-être parce que la commande de gain de cet appareil est réglée incorrectement. Pour assurer une sortie continue du son même quand le niveau de volume de l'appareil principal est augmenté, réglez la commande du gain de l'amplificateur sur une position correcte en fonction du niveau de sortie maximum préamplifié de l'appareil principal.

## Commande du gain de cet appareil



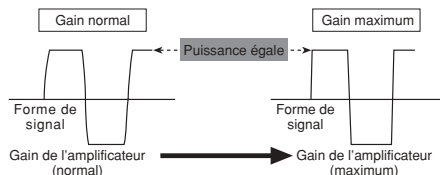
Il n'est pas nécessaire de diminuer le volume de l'appareil principal et quand la sortie est trop forte.

## Relation entre le gain de l'amplificateur et la puissance de sortie de l'appareil principal



- Si vous augmentez le gain de l'amplificateur à un niveau incorrect, seule la distorsion est augmentée et la puissance n'augmente que légèrement.

## Forme de signal quand la puissance de sortie est élevée par la commande gain de l'amplificateur



- Quand la puissance de sortie est élevée, la forme de signal est déformée et si vous augmentez le gain de l'amplificateur la puissance n'augmente que légèrement.
- Si vous diminuez le volume de l'appareil principal et réglez la commande de gain de l'amplificateur sur la position correcte mais que le son continue à être coupé de temps à autre, contactez le centre de service autorisé PIONEER le plus proche.

## PRÉCAUTION

- Pour éviter tout risque de court-circuit ou d'endommager cet appareil, débranchez le câble relié à la borne négative (-) de la batterie, au niveau de cette borne.
- Fixez les câbles au moyen de colliers ou du ruban adhésif. Lorsque l'isolant du câble peut être endommagé par une pièce métallique, assurez sa protection en le gainant de ruban adhésif.
- Faites cheminer les câbles en évitant les zones chaudes telles que les bouches du chauffage. La chaleur peut endommager l'isolant et il peut en résulter un court-circuit si l'âme du câble vient en contact avec la carrosserie.
- L'amplificateur augmente la charge sur la batterie et le système de charge. Assurez-vous que le l'alternateur et la batterie du véhicule ont une capacité suffisante pour cet amplificateur. L'installation d'une batterie puissante, la connexion parallèle d'une batterie secondaire ou d'un condensateur de stockage d'énergie est recommandée.

## PRÉCAUTION

### Pour éviter toute anomalie ou blessure

- Ne reliez pas à la masse le câble (-) d'un haut-parleur; ne reliez pas ensemble plusieurs câbles négatifs de haut-parleurs.
- Cet appareil est conçu pour les véhicules alimentés par une batterie 12 V dont le pôle négatif est à la masse. Avant d'installer cet appareil, contrôlez la tension de la batterie.
- Si vous conservez l'autoradio en fonctionnement alors que le moteur est arrêté ou tourne au ralenti, la batterie peut être déchargée au bout d'un certain temps. Pour éviter cela, mettez l'autoradio hors tension.
- Si le câble de commande à distance de l'amplificateur est relié à la borne d'alimentation par l'intermédiaire du contacteur d'allumage (12 V CC), l'amplificateur sera sous tension dès que vous mettez le contact, et cela quelle que soit la situation de l'autoradio. En conséquence, la batterie peut être rapidement déchargée si le moteur ne tourne pas, ou tourne au ralenti.
- **NE RACCORDEZ PAS** un haut-parleur d'extrêmes graves dont l'impédance serait inférieure à celle prescrite dans la section "Connexion des câbles des haut-parleurs". Il pourrait en résulter un endommagement de l'amplificateur, voire de la production de fumée accompagnée de surchauffe. La surface de l'amplificateur pourrait s'échauffer au point de causer des brûlures légères.

- Assurez-vous que les câbles ne gênent en rien la manoeuvre des organes mobiles tels que rails de siège mais aussi levier de frein de stationnement, pédale de frein, etc.
- Veillez à ce qu'aucun câble ne soit en court-circuit, faute de quoi le circuit de protection pourrait être dans l'incapacité de remplir son office.
- N'alimentez pas un appareil par un piquage sur le câble qui alimente un autre appareil. Ce câble n'a peut-être pas la section suffisante pour supporter sans danger l'intensité consommée par les deux appareils.
- Ne remplacez pas le fusible par un fusible de plus grande valeur ou de plus grand calibre. L'utilisation d'un fusible inadapté peut entraîner une surchauffe et de la fumée, et peut provoquer l'endommagement de l'appareil et des blessures, y compris des brûlures.

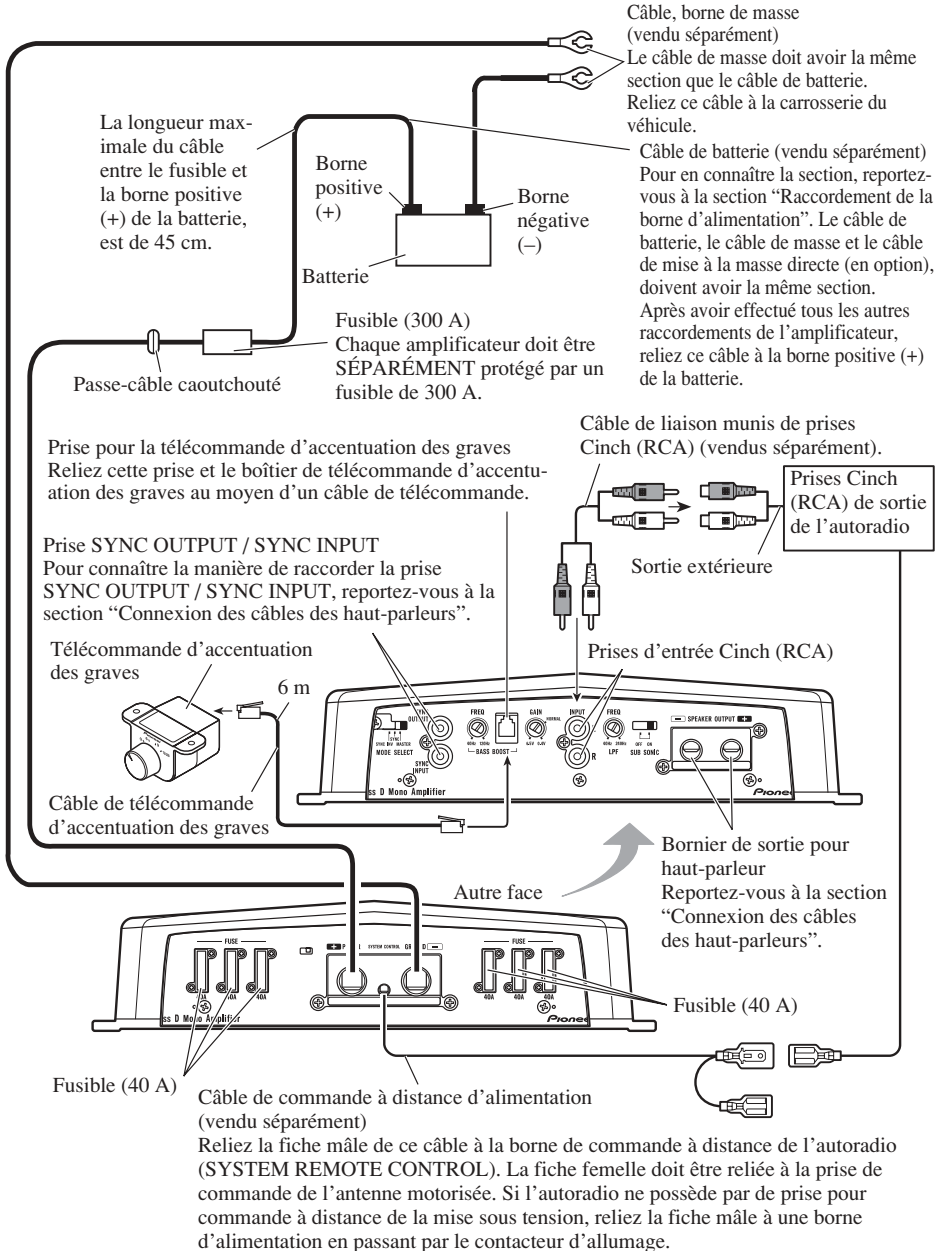
- Reliez l'un de ces trois caissons de graves à l'amplificateur; 1: un caisson de graves ayant une puissance admissible de 750 W ou mieux et une impédance de 4  $\Omega$ , 2: un caisson de graves ayant une puissance admissible de 1 500 W ou mieux et une impédance de 2  $\Omega$  ou 3: un caisson de graves ayant une puissance admissible de 2 000 W ou mieux et une impédance de 1  $\Omega$ . Si l'entrée nominale et l'impédance sont au-dessus de ces plages, le haut-parleur d'extrême grave risque de prendre feu, d'émettre de la fumée ou d'être endommagé.
- Installez le câble de liaison à la batterie, vendu séparément, et faites-le cheminer aussi loin que possible des câbles de liaison aux haut-parleurs. Installez le câble de liaison à la batterie, vendu séparément, le câble de masse, les câbles de liaison aux haut-parleurs et l'amplificateur aussi loin que possible de l'antenne, du câble d'antenne et du syntoniseur.

- Les câbles de cet appareil et ceux d'autres appareils peuvent fort bien ne pas être de la même couleur bien que remplissant la même fonction. Pour relier cet appareil à un autre appareil, utilisez le manuel de chacun et effectuez les raccordements en ne tenant compte que de la fonction de chaque câble.

# Raccordement de l'appareil

## Schéma de raccordement

- Dans le cas de la connexion de la sortie extérieure d'un autoradio stéréo à une entrée Cinch (RCA), utilisez la prise utilisée pour une sortie à gamme étendue, car le canal PDF de l'amplificateur ne peut pas être mis hors service. Si cette prise ne peut pas être utilisée, connectez la prise de sortie du haut-parleur d'extrêmes graves à l'entrée Cinch (RCA).



## Prise de connexion sans soudure

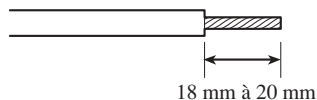
- Comme le câble devient lâche avec le temps, il doit être vérifié périodiquement et resserré si nécessaire.
- Ne soudez ni ne tordez les extrémités des âmes torsadées.
- Serrez en vous assurant de ne pas coincer la gaine isolante du câble.
- Utilisez la clé hexagonale fournie pour serrer et desserrer la vis de la prise de l'amplificateur. Serrez le câble solidement avec la vis de la prise. Cependant, faites attention de ne pas serrer excessivement en contrôlant l'état du câble pendant le serrage car un serrage excessif de la vis de la prise du système de commande à distance peut endommager le câble.

## Raccordement des bornes de sortie vers les haut-parleurs

### Taille des câbles de haut-parleur

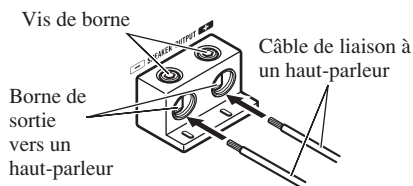
Longueur du câble	moins de 4,3 m	moins de 6,4 m	moins de 10,7 m
Section du câble	8 AWG	6 AWG	4 AWG

1. **Dénudez l'extrémité des câbles de haut-parleurs sur environ 18 mm à 20 mm en utilisant des pinces ou un cutter.**



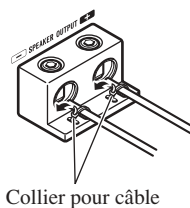
2. **Reliez les câbles de liaisons aux haut-parleurs aux bornes de sortie vers les haut-parleurs.**

- Serrez soigneusement les cosses au moyen des vis.



3. **Engagez les colliers de câble dans les fentes et liez les câbles au moyen des colliers.**

- Le collier doit entourer les câbles au niveau de leur isolant et non pas à hauteur de la partie dénudée.
- Coupez les parties en excès des colliers pour câble.



## Raccordement de la borne d'alimentation

- Utilisez le câble de liaison à la batterie et le câble de masse conseillé; ils sont vendus séparément. Reliez le câble rouge à la borne positive (+) de la batterie et le câble de masse à la carrosserie du véhicule.
- La section conseillée des câbles est la suivante (suivant AWG, American Wire Gauge). Le câble de batterie, le câble de masse et le câble de mise à la masse directe doivent avoir la même section.
- Utilisez un câble de 10 AWG à 20 AWG pour le câble de commande à distance d'alimentation.

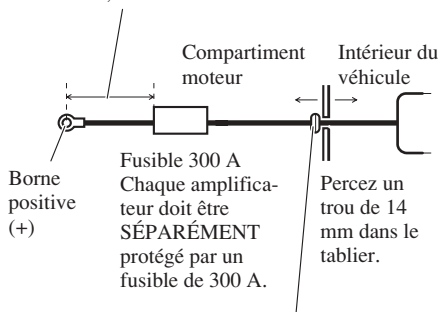
### Section de câble de la batterie et câble de masse

Longueur du câble	moins de 2,1 m	moins de 3,6 m	moins de 5,2 m	moins de 6,4 m
Section du câble	4 AWG	2 AWG	1 AWG	0 AWG

### 1. Faites passer le câble de liaison à la batterie du compartiment moteur vers l'intérieur du véhicule.

- Après avoir effectué tous les autres raccordements de l'amplificateur, reliez la borne d'alimentation de l'amplificateur à la borne positive (+) de la batterie.

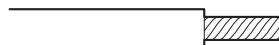
La longueur maximale du câble entre le fusible et la borne positive (+) de la batterie, est de 45 cm.



Engagez le passe-câble en caoutchouc dans le perçage pour assurer la protection du câble.

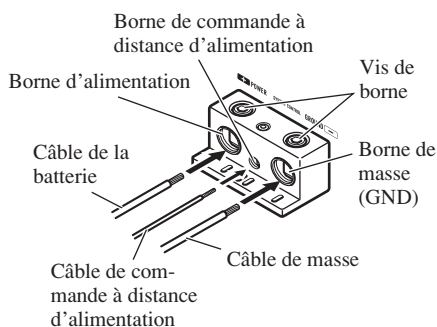
### 2. Dénudez l'extrémité des câbles en utilisant des pinces ou un cutter.

- Câble de la batterie, câble de masse: 23 mm à 25 mm
- Câble de commande à distance d'alimentation: 14 mm à 16 mm



### 3. Reliez les câbles aux bornes.

- Serrez soigneusement les câbles au moyen des vis.

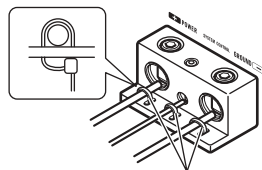


### ⚠ ATTENTION

Faute de serrer soigneusement le câble de batterie sur la borne au moyen d'une vis de borne, une élévation importante de température de la borne peut se produire et provoquer dommages et blessures, y compris brûlures légères.

### 4. Engagez les colliers de câble dans les fentes et liez les câbles au moyen des colliers.

- Le collier doit entourer les câbles au niveau de leur isolant et non pas à hauteur de la partie dénudée.
- Coupez les parties en excès des colliers pour câble.



Collier pour câble



## Réglage du gain de l'amplificateur associé

---

Après avoir relié les câbles des haut-parleurs, réglez la commande de gain de l'amplificateur associé. Les amplificateurs associés suivent les réglages de l'amplificateur maître.

### Réglage sommaire du gain

Réglez la commande de gain de chaque amplificateur sur la position NORMAL. Ce réglage est suffisant pour obtenir une sortie équilibrée dans la majeure partie des cas.

### Réglage fin du gain

Réglez la commande de gain de chaque amplificateur associé, en commençant par l'amplificateur maître.

1. À l'aide de ce système, générez une sinusoïde de basse amplitude.
2. Au moyen d'un voltmètre, mesurez l'amplitude de la tension de sortie de l'amplificateur maître.
3. Au moyen d'un voltmètre, mesurez l'amplitude de la tension de sortie de l'amplificateur associé.
4. Au moyen de la commande de gain de l'amplificateur associé, réglez la tension de sortie de l'amplificateur associé au même niveau que celle de l'amplificateur maître.
5. Répétez les mêmes opérations, dans l'ordre, pour tous les amplificateurs associés.

## Connexion des câbles des haut-parleurs

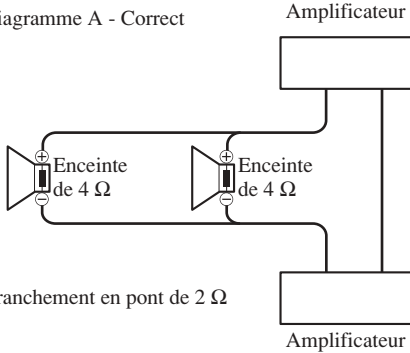
---

Connectez les câbles de haut-parleurs et réglez le commutateur MODE SELECT correctement en fonction de la configuration et des illustrations ci-dessous et de la page suivante.

- Lors de la connexion de deux amplificateurs ou plus en combinaison de façon synchrone, utilisez uniquement ces amplificateurs. Ne les mélangez pas avec d'autres amplificateurs.
- Lors de la connexion de deux amplificateurs ou plus en combinaison de façon synchrone, réglez la commande de gain, le sélecteur infrasonore, la commande de la fréquence de coupure pour LPF et la commande d'accentuation des graves sur l'amplificateur dont le commutateur MODE SELECT a été réglé sur MASTER. Ces réglages, à l'exception de la commande du gain, sont inactifs sur un amplificateur qui a été réglé sur SYNC ou SYNC INV. Pour les détails concernant les opérations de commande du gain, reportez-vous à "Réglage du gain de l'amplificateur associé".

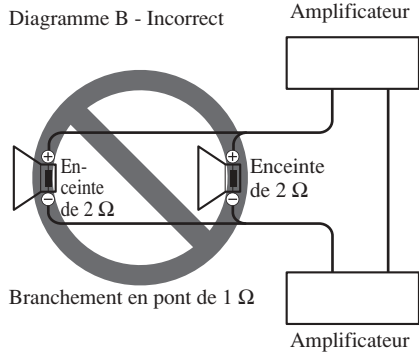
## ⚠ PRÉCAUTION

Diagramme A - Correct



Branchement en pont de 2 Ω

Diagramme B - Incorrect



Branchement en pont de 1 Ω

NE PAS installer ou utiliser cet amplificateur en câblant des haut-parleurs de 2 Ω (ou moins) en parallèle pour obtenir un branchement en pont de 1 Ω (ou moins) (schéma B).

Ce type de branchement incorrect peut provoquer des détériorations, de la fumée et une surchauffe de l'amplificateur. Le boîtier de l'amplificateur peut aussi devenir chaud et être à l'origine de brûlures légères.

Pour installer ou utiliser correctement un branchement en pont et obtenir une charge de 2 Ω, câbler deux haut-parleurs de 4 Ω en parallèle avec Gauche + et Droite - (schéma A) ou utiliser un seul haut-parleur de 2 Ω.

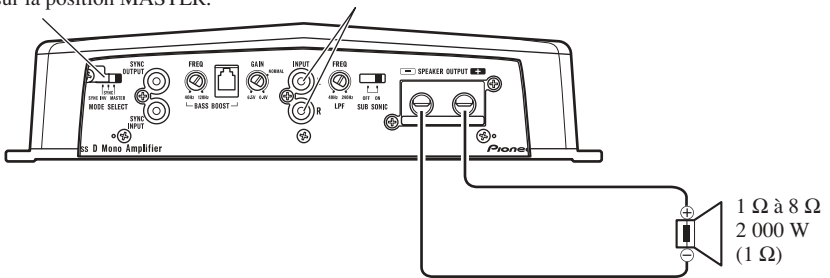
De plus, reportez-vous au manuel d'instructions des haut-parleurs pour en savoir plus sur la procédure de connexion correcte.

## Amplificateur unique

Le commutateur MODE SELECT doit être sur la position MASTER.

Connectez à un autoradio.

Pour les détails, référez-vous à la section "Schéma de raccordement".



- Utilisez des haut-parleurs avec une impédance comprise entre 1 Ω et 8 Ω.

## Deux amplificateurs (connexion en pont ex.)

Le commutateur MODE SELECT doit être sur la position MASTER.

SYNC OUTPUT

Connectez à un autoradio.  
Pour les détails, référez-vous à la section "Schéma de raccordement".

MODE SELECT doit être sur la position SYNC INV position. Avant de le placer sur cette position, retirez la vis et la butée.

SYNC INPUT

Connexion de câble munis de prises Cinch (RCA) (vendus séparément).

Connexion des câbles des haut-parleurs (vendus séparément).

2 Ω à 16 Ω  
4 000 W  
(2 Ω)

- Utilisez uniquement des haut-parleurs avec une impédance comprise entre 2 Ω et 16 Ω. De plus en cas de connexion de plusieurs haut-parleurs avec un pont, vérifiez que l'impédance synthétique est d'au moins 2 Ω.

## Deux amplificateurs

Le commutateur MODE SELECT doit être sur la position MASTER.

SYNC OUTPUT

Connectez à un autoradio.  
Pour les détails, référez-vous à la section "Schéma de raccordement".

Le commutateur MODE SELECT doit être sur la position SYNC. Avant de le placer sur cette position, retirez la vis et la butée.

SYNC INPUT

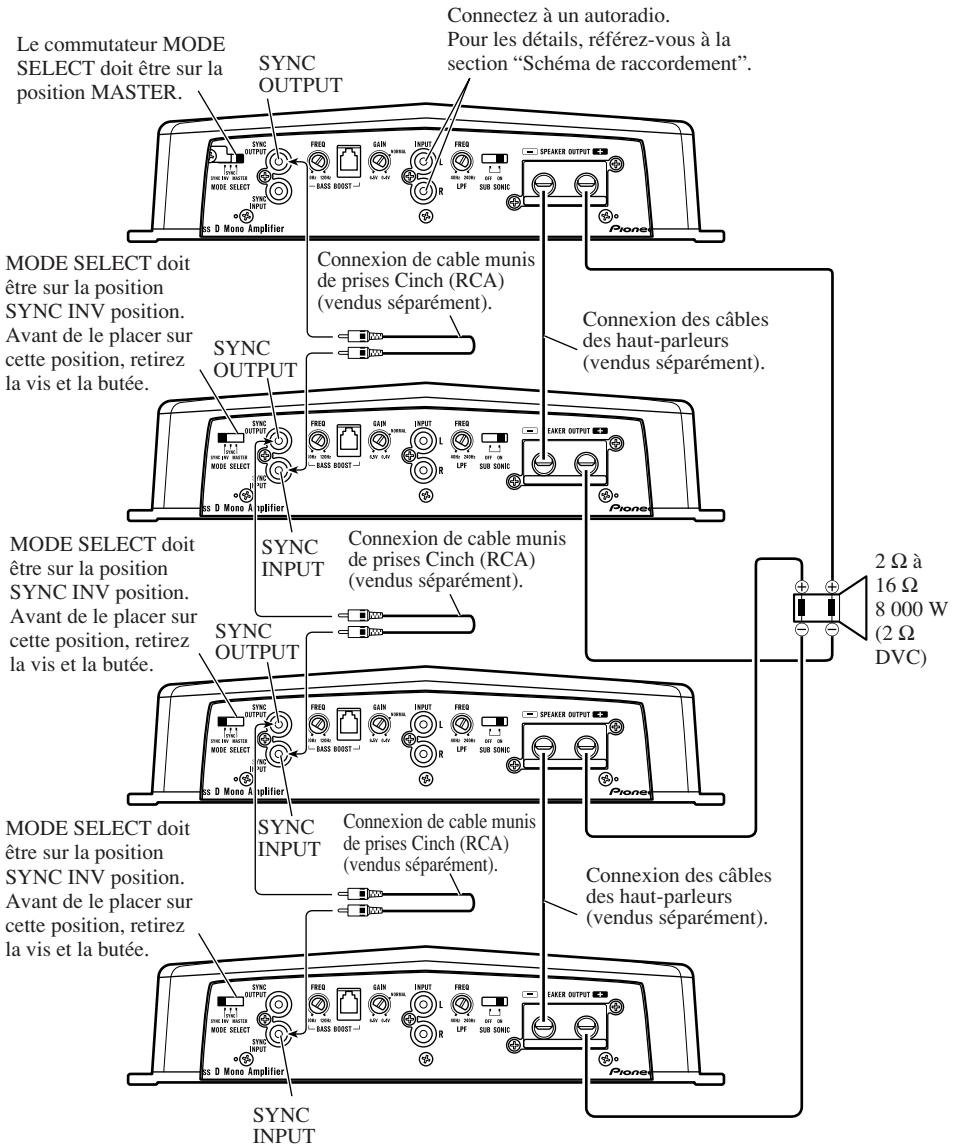
Connexion de câble munis de prises Cinch (RCA) (vendus séparément).

1 Ω à 8 Ω  
2 000 W  
(1 Ω)

- Utilisez des haut-parleurs avec une impédance comprise entre 1 Ω et 8 Ω.

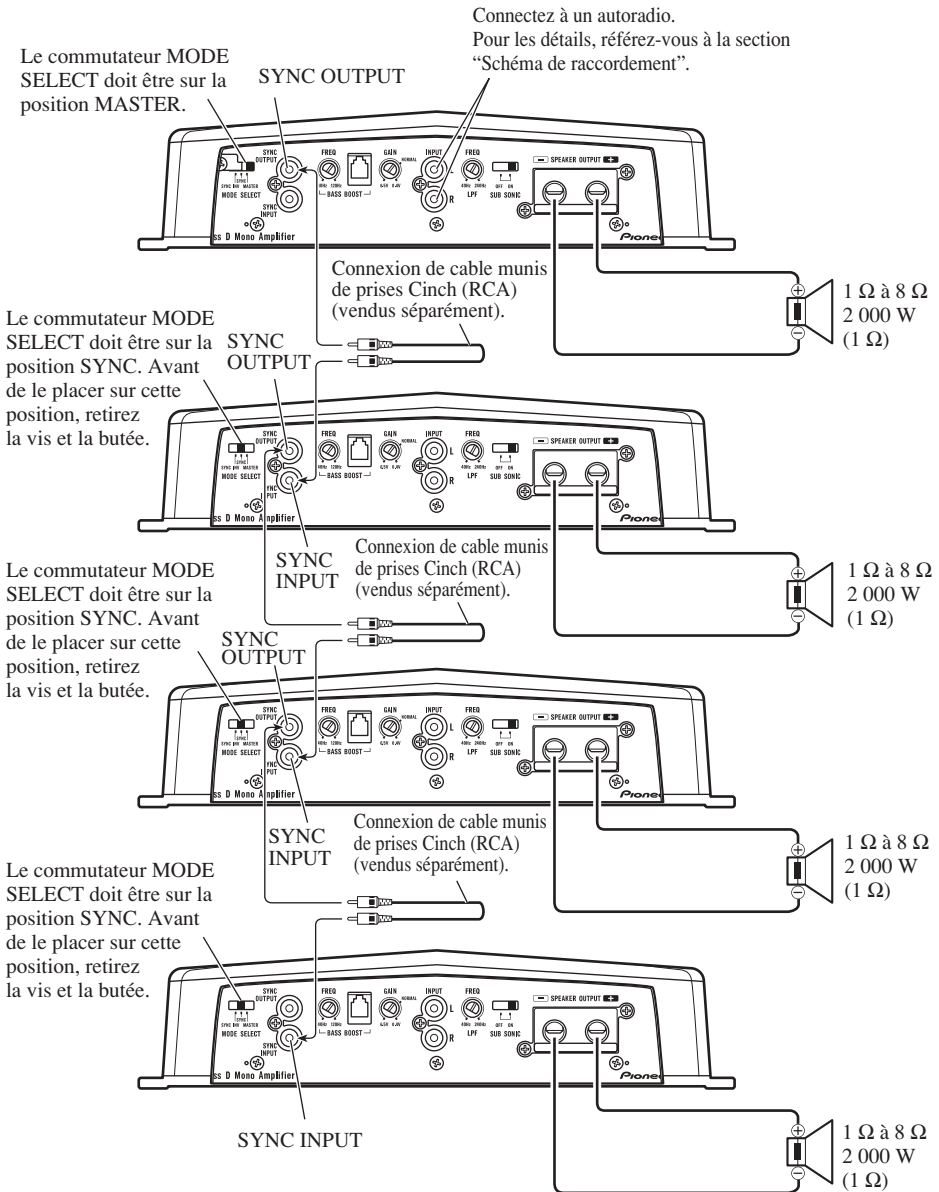
# Raccordement de l'appareil

## Quatre amplificateurs (connexion en pont ex.)



- Utilisez uniquement des haut-parleurs avec une impédance comprise entre 2 Ω et 16 Ω. De plus en cas de connexion de plusieurs haut-parleurs avec un pont, vérifiez que l'impédance synthétique est d'au moins 2 Ω.

## Quatre amplificateurs



- Utilisez des haut-parleurs avec une impédance comprise entre 1 Ω et 8 Ω.

## ⚠ PRÉCAUTION

- N'installez pas l'appareil:
  - dans un endroit où il pourrait blesser un occupant du véhicule en cas d'arrêt brusque;
  - dans un endroit où il pourrait gêner le conducteur, par exemple devant son siège.
- Veillez à ce que les câbles ne puissent pas être pincés et endommagés par les sièges, ce qui peut conduire à un court-circuit.
- Avant d'effectuer un perçage requis par l'installation de l'amplificateur, assurez-vous que vous pouvez le faire sans danger pour les câbles, canalisations, flexibles, etc., qui sont placés derrière le panneau que vous devez percer.
- Posez les vis autotaraudeuses de manière que leur extrémité ne puisse pas endommager les câbles. Il est important que l'isolant d'un câble ne soit pas endommagé par le frottement sur une pièce, ce qui pourrait ultérieurement entraîner un court-circuit.
- **NE LAISSEZ PAS** l'amplificateur entrer en contact avec des liquides à cause, par exemple, de l'emplacement où il a été placé. Cela pourrait entraîner une secousse électrique. De plus, le contact avec un liquide pourrait endommager l'amplificateur et les enceintes, produire de la fumée ou surchauffer l'appareil. Enfin, la surface de l'amplificateur et des enceintes connectées peut devenir chaude au toucher et entraîner de légères brûlures.
- Pour effectuer convenablement l'installation, utilisez les pièces fournies et procédez comme il est indiqué. L'utilisation de pièces autres que celles fournies peut endommager l'amplificateur.
- Ne remplacez pas le fusible par un fusible de plus grande valeur ou de plus grand calibre. L'utilisation d'un fusible inadapté peut entraîner une surchauffe et de la fumée, et peut provoquer l'endommagement de l'appareil et des blessures, y compris des brûlures.

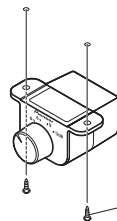
## ⚠ PRÉCAUTION

### Pour éviter toute anomalie de fonctionnement ou blessure

- Pour que la chaleur puisse se dissiper sans mal, respectez ce qui suit:
  - veillez à ce qu'un espace dégagé existe au-dessus de l'amplificateur;
  - ne recouvrez pas l'amplificateur d'un tapis ou d'une moquette.
- **NE LAISSEZ PAS** l'amplificateur entrer en contact avec des liquides à cause, par exemple, de l'emplacement où il a été placé. Cela pourrait entraîner une secousse électrique. De plus, le contact avec un liquide pourrait endommager l'amplificateur et les enceintes, produire de la fumée ou surchauffer l'appareil. Enfin, la surface de l'amplificateur et des enceintes connectées peut devenir chaude au toucher et entraîner de légères brûlures.
- N'installez pas l'amplificateur sur une surface instable telle que le tapis amovible cachant la roue de secours.
- Le meilleur emplacement d'installation dépend du véhicule, mais, quoi qu'il en soit, doit être rigide et solide.
- Effectuez tout d'abord des raccordements temporaires pour vous assurer que l'amplificateur et les autres appareils fonctionnent correctement.
- Choisissez un emplacement qui permette le retrait sans peine de la roue de secours, du cric et de la boîte à outils.

### Fixation de la télécommande d'accentuation des graves

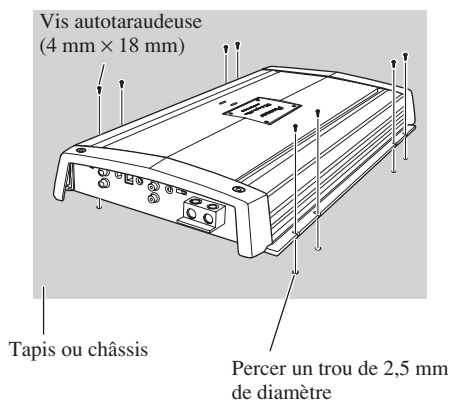
Fixez-la avec les vis autotaraudeuses (3 mm × 10 mm) dans un endroit facile d'accès tel que sous le tableau de bord.



Vis autotaraudeuse  
(3 mm × 10 mm)

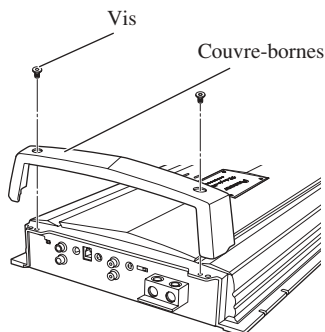
## Exemple d'installation sur le tapis de sol ou sur le châssis

1. Posez l'amplificateur à l'emplacement choisi. Introduisez les vis autotaraudeuses fournies (4 mm × 18 mm) dans les perçages. Appuyez fermement sur les vis au moyen d'un tournevis pour marquer les points de perçage.
2. Percer des trous de 2,5 mm de diamètre aux emplacements marqués puis fixez l'amplificateur soit à travers le tapis, soit directement sur le châssis.



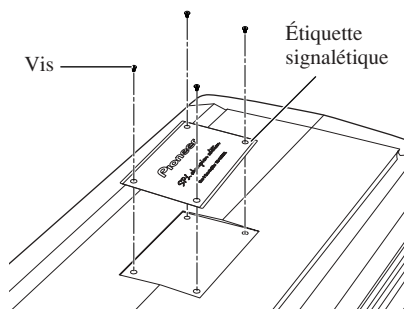
## Remise en place du couvre-bornes

1. Alignez l'appareil et le couvre-bornes et insérez les vis.
2. Serrez les vis avec un tournevis à pointe hexagonale de 4 mm.



## Changement de la direction de l'étiquette signalétique

1. Pour retirer l'étiquette signalétique, desserrez les vis en utilisant une clé hexagonale de 2 mm.
2. Changez la direction de l'étiquette signalétique, puis serrez les vis avec la clé hexagonale.



## Guide de dépannage

---

Les témoins suivants s'allument momentanément quand l'amplificateur est mis sous tension. Ce n'est pas un mauvais fonctionnement.

### Témoin HEAT

- Ce témoin s'allume en jaune quand la température interne de l'amplificateur augmente. Si cela se produit, arrêtez immédiatement d'utiliser l'amplificateur et vérifiez l'emplacement d'installation (reportez-vous à la section "ATTENTION" de la page 2). Contactez votre revendeur si le problème ne peut pas être corrigé.

### Témoin PROTECT

- Ce témoin clignote ou s'allume en rouge quand un certain type de problème se produit dans l'amplificateur. Si cela se produit, arrêtez immédiatement d'utiliser l'amplificateur et vérifiez les connexions (reportez-vous à la section "ATTENTION" de la page 2). Contactez votre revendeur si le problème ne peut pas être corrigé.



## Caractéristiques techniques

Alimentation .....	14,4 V CC (10,8 V à 15,1 V permis)
Mise à la masse .....	Pôle négatif de la batterie
Consommation de courant .....	67 A (à la puissance continue, 4 Ω)
Consommation moyenne de courant* .....	18 A (4 Ω pour une voie) 38 A (2 Ω pour une voie) 55 A (1 Ω pour une voie)
Fusible .....	40 A × 6
Dimensions .....	586 (L) × 65 (H) × 282 (P) mm
Poids .....	9,1 kg (sans les câbles)
Puissance maximale de sortie .....	1 500 W × 1 (4 Ω) / 3 000 W × 1 (2 Ω) / 4 000 W × 1 (1 Ω)
Puissance continue (14,4 V).....	4 Ω, 20 Hz à 240 Hz, ≤ 1,0 % DHT, 750 W × 1 2 Ω, 50 Hz, ≤ 1,0 % DHT, 1 500 W × 1 1 Ω, 50 Hz, ≤ 1,0 % DHT, 2 000 W × 1
Impédance de charge .....	4 Ω (1 Ω à 8 Ω permis)
Réponse en fréquence .....	10 Hz à 240 Hz (+0 dB, -3 dB)
Rapport signal/bruit .....	85 dB (réseau IEC-A)
Distorsion .....	0,3 % (10 W / 4 Ω, 100 Hz)
Filtre passe-bas .....	Fréquence de coupure: 40 Hz à 240 Hz Pente: -24 dB/oct.
Filtre infrasonore (HPF) .....	Fréquence: 20 Hz Pente: -24 dB/oct.
Accentuation des graves .....	Fréquence: 40 Hz à 120 Hz Niveau: 0 / 6 / 9 / 12 dB
Commande de gain .....	RCA: 400 mV à 6,5 V
Niveau maximale / impédance d'entrée .....	RCA: 6,5 V / 22 kΩ

### Remarque:

- Les caractéristiques et la présentation peuvent être modifiées sans avis préalable à fin d'amélioration.

### \* Consommation moyenne de courant

- Le courant moyen est proche du courant maximal lorsqu'un signal audio est appliqué à l'entrée de l'amplificateur. Utilisez cette valeur lorsque vous désirez calculer le courant total consommé par plusieurs amplificateurs de puissance.

<b>Prima di usare questo prodotto .....</b>	<b>1</b>
Registrazione del prodotto .....	1
In caso di difficoltà .....	2
A proposito del prodotto .....	2
PRECAUZIONE .....	2
ATTENZIONE .....	2
<b>Regolazione di questa unità .....</b>	<b>3</b>
Commutatore MODE SELECT .....	3
Comando di selezione della frequenza per l'espansione dei bassi .....	3
Controllo del livello di potenza dei bassi .....	3
Coperchio dei terminali .....	3
Comando della soglia della frequenza di taglio per LPF .....	3
Comando del guadagno .....	4
Selettore BFC (Beat Frequency Control) .....	4
Indicatore HEAT .....	4
Indicatore PROTECT .....	4
Indicatore dell'alimentazione .....	4
Interruttore di selezione subsonica .....	4
Regolazione corretta del guadagno .....	5
<b>Come collegare l'unità .....</b>	<b>6</b>
Schema di collegamento .....	7
Collegamenti senza saldatura ai terminali .....	8
Come collegare il terminale di uscita degli altoparlanti .....	8
Come collegare il terminale dell'alimentazione .....	9
Regolazione del guadagno dell'amplificatore sincronizzato .....	10
Collegamento dei cavi d'altoparlanti .....	10
<b>Installazione .....</b>	<b>15</b>
Fissaggio del telecomando di potenziamento dei bassi .....	15
Esempio dell'installazione sul pavimento oppure sullo chassis .....	16
Riapplicazione del coperchio dei terminali ....	16
Cambio di orientamento dell'etichetta .....	16
<b>Informazioni aggiuntive .....</b>	<b>17</b>
Risoluzione dei problemi .....	17
<b>Caratteristiche .....</b>	<b>18</b>

Grazie per aver acquistato questo prodotto PIONEER. Leggere attentamente queste istruzioni prima di usare questo apparecchio.



Se si vuole eliminare questo prodotto, non gettarlo insieme ai rifiuti domestici. Esiste un sistema di raccolta differenziata in conformità alle leggi che richiedono appositi trattamenti, recupero e riciclo.

I privati cittadini dei venticinque paesi membri dell'UE, di Svizzera e Norvegia, possono restituire senza alcun costo i loro prodotti elettronici usati ad appositi servizi di raccolta o a un rivenditore (se si desidera acquistarne uno simile). Per i paesi non citati qui sopra, si prega di prendere contatto con le autorità locali per il corretto metodo di smaltimento. In questo modo, si è sicuri che il proprio prodotto eliminato subirà il trattamento, il recupero e il riciclo necessari per prevenire gli effetti potenzialmente negativi sull'ambiente e sulla vita dell'uomo.

## Registrazione del prodotto

Visita il seguente sito Web:



Potrai registrare il tuo prodotto. Pioneer conserverà i dettagli del tuo acquisto per agevolare il riferimento a tali informazioni nel caso di una richiesta di risarcimento assicurativa, come in caso di furto o smarrimento.

## In caso di difficoltà

Se l'apparecchio non funziona correttamente, rivolgersi al rivenditore o ad un Centro Assistenza Autorizzato PIONEER.

## A proposito del prodotto

Questo prodotto è un amplificatore per subwoofer. Trattandosi di un amplificatore monofonico, collegandone all'ingresso RCA sia il canale L (sinistro) che il canale R (destra) l'uscita risulterà miscelata.



## PRECAUZIONE

- Non sostituire mai il fusibile con uno di valore o taratura superiore a quella del fusibile originale. L'uso di fusibili non adeguati può determinare un surriscaldamento o generare fumo, eventualmente danneggiando il prodotto e procurando lesioni o ustioni.
- Per serrare le viti che bloccano i cavi nei terminali oppure per cambiare l'orientamento dell'etichetta si raccomanda di usare la chiave esagonale a brugola fornita in dotazione. L'uso di chiavi esagonali lunghe del tipo normalmente reperibile in commercio potrebbe infatti condurre all'applicazione di una coppia eccessiva, con conseguente danneggiamento dei terminali e dei cavi stessi.

## ATTENZIONE

- Utilizzare sempre il cavo della batteria ed il cavo di messa a terra raccomandati, venduti a parte. Collegare il cavo per la batteria direttamente al terminale positivo (+) della batteria dell'auto, ed il cavo per la messa a terra al corpo dell'autovettura.
- Non toccare l'amplificatore con le mani bagnate. Toccando l'apparecchio con le mani bagnate si rischia di rimanere folgorati. Ugualmente, non toccare l'amplificatore se risulta umido o bagnato.
- Per una buona sicurezza della guida e per una guida appropriata della vettura, mantenere il volume ad un basso livello di tale modo che si possa sentire ancora il suono normale del traffico.
- Se il fusibile del cavo della batteria (venduto a parte) o il fusibile dell'amplificatore bruciano controllare i collegamenti dell'alimentazione e degli altoparlanti. Individuare la causa e risolvere il problema, e provvedere poi a sostituire il fusibile con un altro delle stesse dimensioni e capacità.
- Per evitare un funzionamento incorretto dell'amplificatore e del subwoofer, il circuito di protezione taglia l'alimentazione all'amplificatore (il suono si interrompe in questo caso) quando una condizione anormale si presenta. In tale caso, commutare l'alimentazione del sistema alla posizione "OFF" (arresto) poi verificare il collegamento dell'alimentazione e del subwoofer. Cercare la causa del problema ed eliminare il problema.
- Consultare il rivenditore se non si può trovare la causa del problema.
- Per evitare qualsiasi scossa elettrica oppure cortocircuito durante il collegamento e l'installazione, assicurarsi di scollegare in anticipo il polo negativo (-) della batteria.
- Verificare che nessuna parte si trovi dietro il pannello quando un foro viene eseguito per l'installazione dell'amplificatore. Assicurarsi di proteggere tutti i cavi e componenti importanti come linee del carburante, linee del freno e cablaggio elettrico, contro i danni.
- NON lasciare che l'amplificatore entri in contatto con liquidi nel luogo in cui esso è installato. Si potrebbero generare infatti scosse elettriche. Il contatto con i liquidi può altresì danneggiare l'amplificatore stesso e i diffusori, con emissione di fumo e creazione di surriscaldamento. La superficie dell'amplificatore o quella degli altoparlanti ad esso collegati potrebbe inoltre divenire molto calda e, al contatto, procurare piccole scottature.

### Commutatore MODE SELECT

La modalità di sincronizzazione dell'amplificatore può essere selezionata tra MASTER, SYNC e SYNC INV. In caso di utilizzo di un solo amplificatore è necessario fare scorrere il commutatore MODE SELECT nella posizione MASTER. Quando si collegano in sincronizzazione due o più di questi amplificatori, il primo deve essere impostato su MASTER mentre gli altri su SYNC o su SYNC INV in funzione della modalità di connessione. L'unica condizione che preveda l'impostazione dell'amplificatore nella modalità SYNC INV è quando essi sono connessi in modo sincronizzato, come nell'esempio di collegamento a ponte. Per commutare alla modalità SYNC o SYNC INV è innanzi tutto necessario rimuovere le viti e il fermo. Si raccomanda tuttavia di rimuovere viti e fermo soltanto dopo avere verificato la correttezza dei collegamenti. Per maggiori informazioni sul commutatore MODE SELECT si prega di leggere la sezione "Collegamento dei cavi d'altoparlanti".

### Comando di selezione della frequenza per l'espansione dei bassi

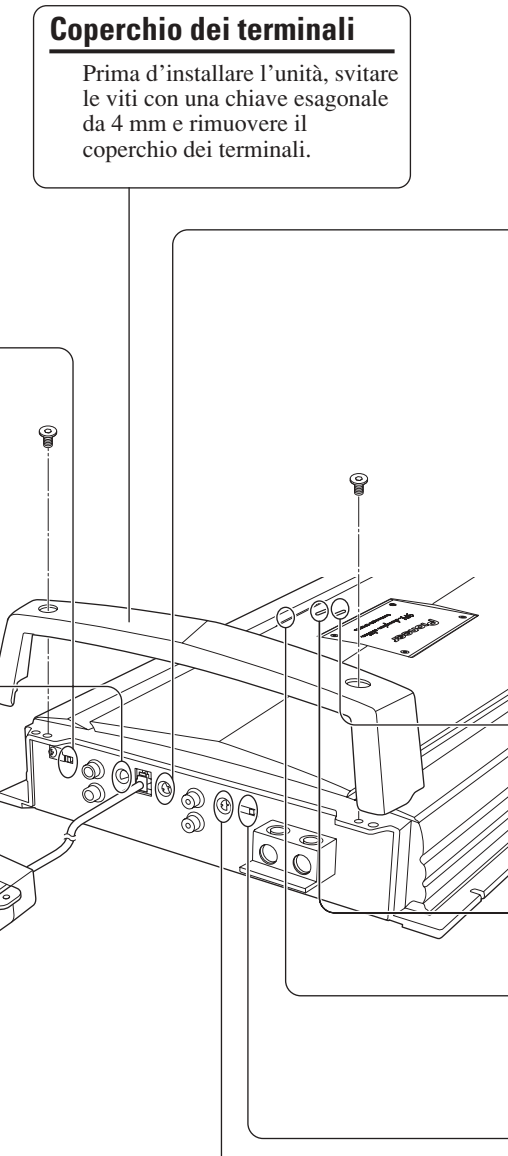
Per mezzo di questo comando si può selezionare la frequenza, da 40 Hz a 120 Hz, di cui si vogliono amplificare i dintorni.

### Controllo del livello di potenza dei bassi

Per mezzo di questo comando si può selezionare tra 0, 6, 9 e 12 dB il livello di espansione dei bassi. Per istruzioni sul collegamento del telecomando di espansione dei bassi all'amplificatore si prega di vedere la sezione "Schema di collegamento".

### Coperchio dei terminali

Prima d'installare l'unità, svitare le viti con una chiave esagonale da 4 mm e rimuovere il coperchio dei terminali.



### Comando della soglia della frequenza di taglio per LPF

Si può selezionare la soglia della frequenza di taglio ad un valore compreso tra 40 Hz e 240 Hz.

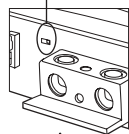
## Comando del guadagno

Se il livello sonoro continua a rimanere troppo basso, anche alzando il volume dello stereo utilizzato in concomitanza con questo amplificatore di potenza, ruotare in senso orario il comando del guadagno. Se invece il suono si distorce quando si alza il volume, ruotare il comando del guadagno in senso antiorario.

- In caso di uso in combinazione con un car stereo dotato di presa di tipo RCA (uscita standard di 500 mV) porre questo comando sulla posizione NORMAL. In caso di uso in combinazione con un car stereo dotato di presa di tipo RCA con uscita massima di 4 V, o più, regolare il livello in modo che si adegui al livello di uscita del car stereo.
- Per quanto riguarda il controllo di guadagno dell'amplificatore sincronizzato, si prega di vedere la sezione "Regolazione del guadagno dell'amplificatore sincronizzato".

## Selettore BFC (Beat Frequency Control)

Qualora durante l'ascolto di stazioni MW/LW con l'apparecchio stereo dell'auto si avverta un battimento, con un piccolo cacciavite appuntito si suggerisce di cambiare la posizione del selettore BFC.



## Indicatore HEAT (Giallo)

Indica l'eventuale presenza di problemi nell'amplificatore. Per maggiori informazioni in merito si prega di vedere la sezione "Risoluzione dei problemi" a pagina 17.

## Indicatore PROTECT (Rosso)

Indica l'eventuale presenza di problemi nell'amplificatore. Per maggiori informazioni in merito si prega di vedere la sezione "Risoluzione dei problemi" a pagina 17.

## Indicatore dell'alimentazione (Blu)

L'indicatore dell'alimentazione viene illuminato quando si attiva l'alimentazione.

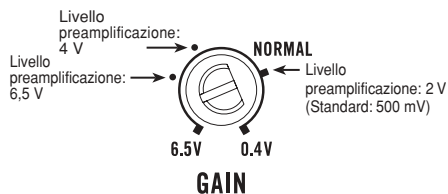
## Interruttore di selezione subsonica

Il filtro subsonico taglia le frequenze inferiori alla soglia di udibilità di 20 Hz, per eliminare vibrazioni indesiderate e minimizzare la perdita di potenza.

## Regolazione corretta del guadagno

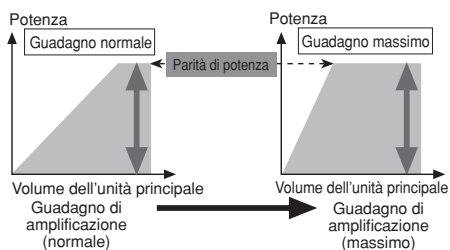
- Questa unità è provvista di una funzione di protezione il cui scopo è prevenire l'insorgere di malfunzionamenti nell'unità stessa e nei diffusori a causa dell'eccessiva potenza del segnale d'uscita oppure di un utilizzo o di collegamenti non corretti.
- In caso di uscita di un segnale di eccessiva intensità, questa funzione lo azzererà completamente nell'arco di pochi secondi. Non si tratta quindi di un malfunzionamento dell'unità. Riducendo il volume dell'unità principale l'uscita audio infatti si ripristinerà.
- All'azzeramento del volume del segnale d'uscita, il controllo di guadagno di questo apparecchio potrebbe risultare non adeguatamente regolato. Per garantire la continuità dell'uscita audio dell'unità principale a volume elevato è sufficiente regolare il controllo di guadagno dell'amplificatore al livello più appropriato in funzione del massimo livello di uscita di preamplificazione dell'unità principale stessa.

## Controllo di guadagno di questa unità



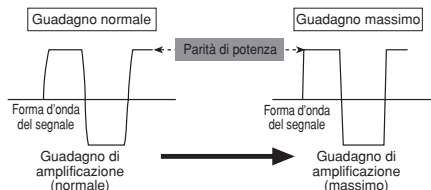
Non è necessario ridurre il volume dell'unità principale, poiché interviene il controllo di segnale d'uscita eccessivo.

## Relazione tra il guadagno dell'amplificatore e la potenza di uscita dell'unità principale



- Elevando il guadagno dell'amplificatore ad un livello non adeguato si otterrà l'aumento della distorsione contro solo un lieve aumento di potenza.

## Forma d'onda del segnale con uscita ad alto volume tramite controllo di guadagno dell'amplificatore



- Ad elevati livelli d'uscita la forma d'onda del segnale presenta distorsione ed aumentando il guadagno dell'amplificatore la potenza varia solo di poco.
- Qualora di tanto in tanto il suono d'uscita venga azzerato pur dopo aver ridotto il volume dell'unità principale e regolato adeguatamente il controllo di guadagno dell'amplificatore, si invita a rivolgersi ad un centro di assistenza PIONEER autorizzato.

### PRECAUZIONE

- Togliere il contatto negativo (-) dalla batteria per evitare ogni rischio di cortocircuito e danni all'unità.
- Fissare il cablaggio con dei fermi per cavi oppure nastro adesivo. Per proteggere il cablaggio, avvolgere il nastro adesivo intorno al cablaggio dove esso si trova in contatto con parti di metallo.
- Non posare i cavi dove possono riscaldarsi, per esempio dove il dispositivo di riscaldamento rischia di riscaldarli. Se l'isolamento si riscalda, potrebbe danneggiarsi, e risultare in un cortocircuito attraverso la carrozzeria del veicolo.
- Il funzionamento dell'amplificatore aumenta il carico sulla batteria e sul sistema di ricarica del veicolo. È pertanto necessario accertarsi che l'alternatore e la batteria dispongano di capacità sufficiente a sostenere l'assorbimento di corrente dell'amplificatore. Si raccomanda tuttavia d'impiegare batterie ad alto carico di lavoro, di collegare in parallelo batterie ordinarie oppure

d'installare un condensatore adatto all'immagazzinamento della quantità di energia coinvolta.

- Assicurarsi che i cavi non siano in contatto con delle parti mobili del veicolo, come leva del cambio, freno a mano oppure meccanismo a scorrimento del sedile.
- Non cortocircuitare i cavi. In caso contrario, il circuito di protezione non funzionerà quando sarà necessario.
- Evitare di collegare altri apparecchi tramite rimozione copertura cavo di alimentazione per accedere all'alimentazione. Questo risulterà in sovraccarico ed eccessivo riscaldamento.
- Non sostituire mai il fusibile con uno di valore o taratura superiore a quella del fusibile originale. L'uso di fusibili non adeguati può determinare un surriscaldamento o generare fumo, eventualmente danneggiando il prodotto e procurando lesioni o ustioni.

### PRECAUZIONE

#### Per evitare danneggiamenti e/o lesioni

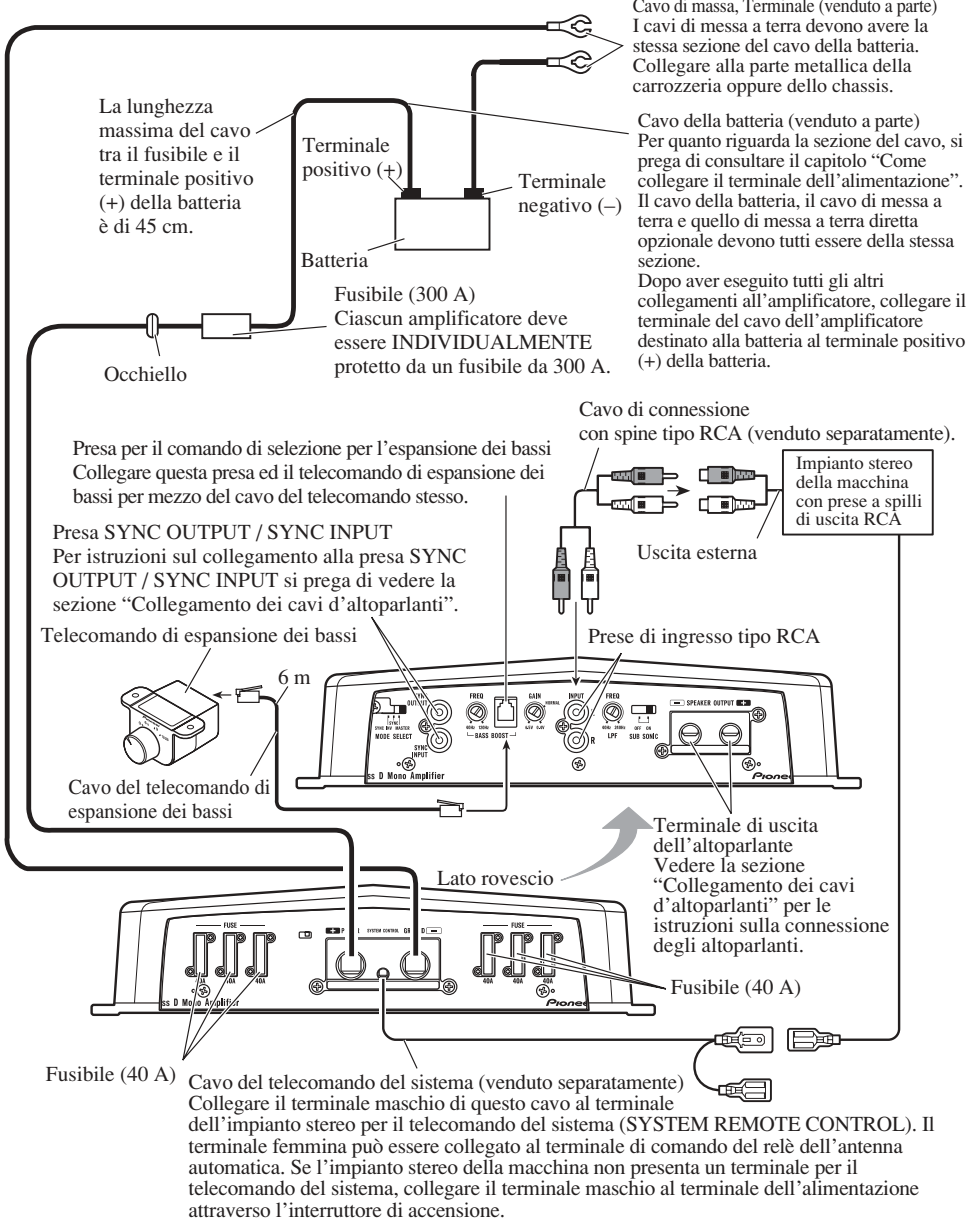
- Non mettere direttamente alla massa il cavo dell'altoparlante oppure collegare un cavo negativo (-) a diversi altoparlanti.
- Questa unità è fornita per veicoli con una batteria da 12 volt ed una messa alla massa negativa. Prima di installarla in un veicolo, autocarro oppure un autobus, controllare la tensione della batteria.
- Se l'impianto stereofonico della vettura viene lasciato in funzionamento per un lungo periodo di tempo a motore spento o al minimo, la batteria può esaurirsi. Disattivare l'impianto stereo della macchina quando il motore è fermo o al minima.
- Se il cavo di telecomando del sistema dell'amplificatore viene collegato al terminale dell'alimentazione attraverso l'interruttore di accensione (12 V, CC), l'amplificatore sarà sempre attivato quando l'accensione è attivata, indipendentemente dal fatto che l'impianto stereo della macchina sia attivato oppure no. Dovuto a questa condizione, la batteria potrà esaurirsi se si lascia il motore fermo o al minimo.
- NON collegare un subwoofer caratterizzato da un valore d'impedenza inferiore a quello specificato nella sezione "Collegamento dei cavi d'altoparlanti". A causa di collegamenti non conformi alle specifiche fornite si potrebbe infatti verificare il danneggiamento dell'amplificatore, il suo surriscaldamento oppure un'emissione di fumo. La superficie esterna dell'amplificatore potrebbe inoltre divenire molto calda e causare quindi lievi ustioni.

- Collegare all'amplificatore uno dei tre subwoofer: 1: un subwoofer provvisto di ingresso nominale da 750 W o più ed un'impedenza da 4 Ω, 2: un subwoofer provvisto di ingresso nominale da 1 500 W o più ed un'impedenza da 2 Ω oppure 3: un subwoofer provvisto di ingresso nominale da 2 000 W o più ed un'impedenza da 1 Ω. Qualora sia l'ingresso nominale che l'impedenza si trovassero al di fuori delle gamme qui indicate, il subwoofer potrebbe dare luogo ad incendi, emettere fumo o comunque danneggiarsi.
- Installare ed istradare il cavo per la batteria (venduto separatamente) quanto più possibile lontano dai cavi degli altoparlanti. Installare ed istradare i cavi della batteria e della messa a terra (venduti separatamente), degli altoparlanti e dell'amplificatore quanto più lontani possibile dall'antenna, dal cavo dell'antenna e dal sintonizzatore.

- I cavi per questo apparecchio e quelli per altri apparecchi possono avere colori diversi, pur svolgendo la stessa funzione. Per il collegamento di questo apparecchio ad un'altro, vedere i manuali di entrambi gli apparecchi, e provvedere al collegamento dei cavi aventi la stessa funzione.

## Schema di collegamento

- In caso di collegamento all'ingresso RCA di un'uscita esterna proveniente dall'apparecchio stereo del veicolo, si raccomanda di utilizzare la presa che fornisce la gamma sonora completa. Ciò è giustificato dal fatto che il filtro passa-basso dell'amplificatore non può essere disattivato. Qualora tale presa non possa essere utilizzata si suggerisce di collegare l'uscita del subwoofer all'ingresso RCA.





## Collegamenti senza saldatura ai terminali

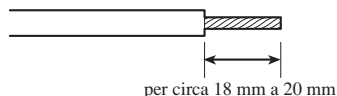
- Poiché col tempo il cavo si può allentare, è raccomandabile controllarlo periodicamente e, se necessario, rinnovare il bloccaggio.
- L'estremità dei cavi attorcigliati non deve essere né saldata né vincolata in alcun modo.
- Durante il bloccaggio del cavo è necessario evitare di interessarne la guaina isolante.
- Per allentare e serrare la vite dei terminali dell'amplificatore si può far uso della chiavetta esagonale a brugola fornita in dotazione. I cavi devono essere saldamente bloccati nel terminale con l'apposita vite. Tuttavia, poiché l'eccessivo serraggio della vite del terminale del telecomando del sistema potrebbe danneggiarne il cavo, è necessario prestarvi attenzione osservando il comportamento del cavo stesso durante il bloccaggio.

## Come collegare il terminale di uscita degli altoparlanti

### Dimensione dei cavi d'altoparlante

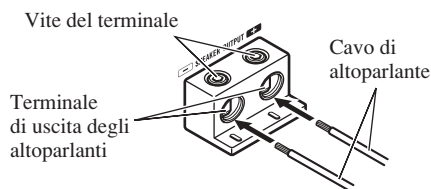
Lunghezza del cavo	inferiore a 4,3 m	inferiore a 6,4 m	inferiore a 10,7 m
Sezione del cavo	8 AWG	6 AWG	4 AWG

1. Con delle pinzette o un taglierino rimuovere all'estremità dei cavi d'altoparlante circa 18 mm a 20 mm di guaina isolante.



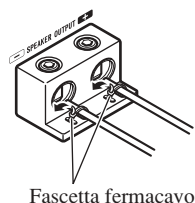
2. Collegare i cavi degli altoparlanti al terminale di uscita degli altoparlanti.

- Fissare saldamente i cavi con le viti per morsetti.



3. Inserite le fascette fermacavo nelle fenditure ed avvolgetele attorno ai cavi.

- Avvolgete ora le fascette stesse attorno al rivestimento isolante del cavo e non al cavo spelato.
- Asportare dalle fascette fermacavo le parti in eccesso.



## Come collegare il terminale dell'alimentazione

- Utilizzare sempre la batteria ed il cavo di messa a terra raccomandati, venduti a parte. Collegare il cavo per la batteria direttamente al terminale positivo (+) della batteria dell'auto, ed il cavo per la messa a terra al corpo dell'autovettura.
- La sezione raccomandata per i cavi (espressa in AWG: American Wire Gauge) è riportata nella tabella che segue. Il cavo della batteria, il cavo di messa a terra e quello di messa a terra diretta opzionale devono essere tutti della stessa sezione.
- Per il telecomando di sistema è consigliabile usare un cavo da AWG 10 a AWG 20.

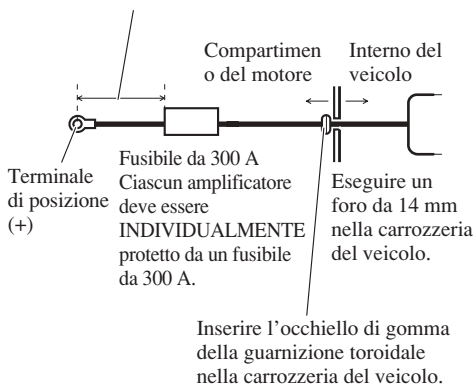
### Sezione del cavo della batteria e cavo di massa

Lunghezza del cavo	inferiore a 2,1 m	inferiore a 3,6 m	inferiore a 5,2 m	inferiore a 6,4 m
Sezione del cavo	4 AWG	2 AWG	1 AWG	0 AWG

### 1. Far passare il cavo della batteria dal vano motore all'interno dell'abitacolo.

- Dopo aver eseguito tutti gli altri collegamenti all'amplificatore, collegare il terminale del cavo dell'amplificatore destinato alla batteria al terminale positivo (+) della batteria.

La lunghezza massima del cavo tra il fusibile e il terminale positivo (+) della batteria è di 45 cm.



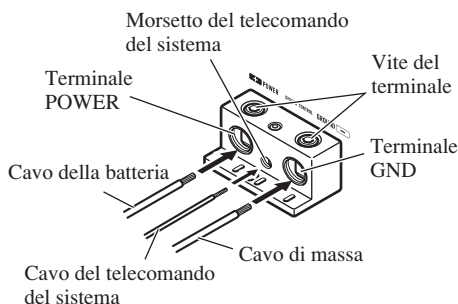
### 2. Con delle pinzette o un taglierino rimuovere dalle estremità dei cavi la guaina isolante.

- Cavo della batteria e cavo di terra: da 23 mm a 25 mm
- Cavo di telecomando del sistema: da 14 mm a 16 mm



### 3. Collegare i cavi al morsetto.

- Fissare saldamente i cavi con le viti per morsetti.

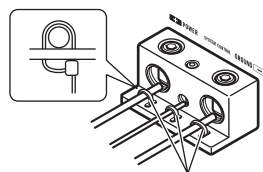


### ATTENZIONE

Qualora non si fissi saldamente al terminale il cavo della batteria al terminale con le apposite viti, l'area del terminale stesso potrebbe surriscaldarsi divenendo quindi eventualmente causa di danneggiamenti e di lesioni quali, ad esempio, lievi ustioni.

### 4. Inserite le fascette fermacavo nelle fenditure ed avvolgetele attorno ai cavi.

- Avvolgete ora le fascette stesse attorno al rivestimento isolante del cavo e non al cavo spelato.
- Asportare dalle fascette fermacavo le parti in eccesso.



Fascetta fermacavo

## Regolazione del guadagno dell'amplificatore sincronizzato

---

Dopo avere collegato i cavi degli altoparlanti, regolare il controllo di guadagno di ciascun amplificatore sincronizzato. Tutti gli amplificatori sincronizzati replicano le impostazioni dell'amplificatore master.

### Impostazione rapida del guadagno

Impostare sulla posizione NORMAL il controllo di guadagno di ciascun amplificatore sincronizzato. Questa impostazione bilancia in modo efficace il volume di uscita per la maggior parte delle applicazioni desiderate.

### Impostazione avanzata del guadagno

Iniziando dall'amplificatore master, regolare nel rispettivo ordine il controllo di guadagno di ciascun amplificatore sincronizzato.

1. Porre in uscita l'onda sinusoidale, attraverso questo sistema, mantenendola ad un basso livello.
2. Fare uso di un voltmetro per misurare la tensione di uscita dell'amplificatore master.
3. Fare nuovamente uso di un voltmetro per misurare la tensione di uscita dell'amplificatore sincronizzato.
4. Utilizzando il controllo di guadagno dell'amplificatore sincronizzato, farne corrispondere l'uscita a quella dell'amplificatore master.
5. Ripetere l'operazione, nell'ordine appropriato, per ciascun amplificatore sincronizzato.

## Collegamento dei cavi d'altoparlanti

---

Collegare il cavo degli altoparlanti e regolare il selettore MODE SELECT in modo da ottenere la configurazione in base alle illustrazioni mostrate più oltre e nella pagina successiva.

- In caso di combinazione di due o più amplificatori sincronizzati si raccomanda di utilizzare solo questi ultimi. Questi non devono tuttavia essere usati congiuntamente ad altri amplificatori.
- In caso di combinazione di due o più amplificatori sincronizzati, di quello che per mezzo del commutatore MODE SELECT sia stato configurato come MASTER si raccomanda di impostare il controllo di guadagno, la selezione subsonica, il controllo della frequenza di taglio del filtro passa-basso e il controllo di potenziamento dei bassi. Queste impostazioni sono inattive, ad eccezione del controllo di guadagno, quando s'imposta l'amplificatore su SYNC o su SYNC INV. Per maggiori informazioni in merito alla regolazione del controllo di guadagno si prega di vedere la sezione "Regolazione del guadagno dell'amplificatore sincronizzato".

## **!** PRECAUZIONE

Diagramma A - Appropriato

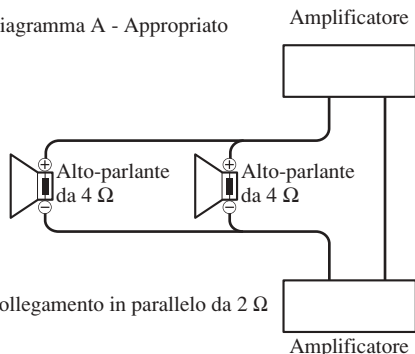
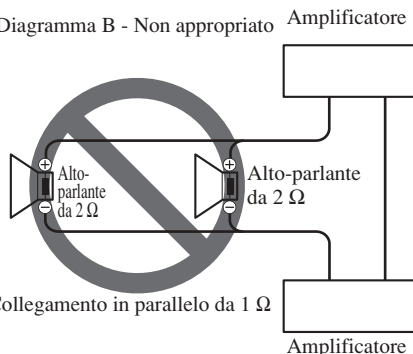


Diagramma B - Non appropriato



NON installare o usare questo amplificatore collegandovi in parallelo altoparlanti da 2 Ω o meno in modo da ottenere un collegamento a ponte da 1 Ω o meno (diagramma B).

Effettuando impropriamente i collegamenti in parallelo, si può provocare fumo, surriscaldamento o danni all'amplificatore. Inoltre, la superficie dell'amplificatore può riscaldarsi al punto da causare lievi ustioni.

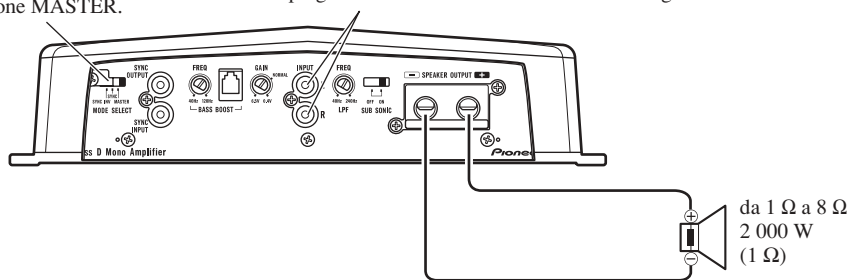
Per installare o impiegare correttamente un collegamento in parallelo ed ottenere un carico da 2 Ω si suggerisce di collegare in parallelo due altoparlanti da 4 Ω con i terminali positivo sinistro e negativo destro (diagramma A) oppure d'impiegare un singolo altoparlante da 2 Ω.

Inoltre, per ulteriori informazioni sulla corretta procedura di collegamento si rimanda al manuale d'istruzioni degli altoparlanti.

### Amplificatore singolo

Il commutatore MODE SELECT deve trovarsi nella posizione MASTER.

Da collegare all'impianto stereo del veicolo. Per dettagli in merito si prega di vedere la sezione "Schema di collegamento".

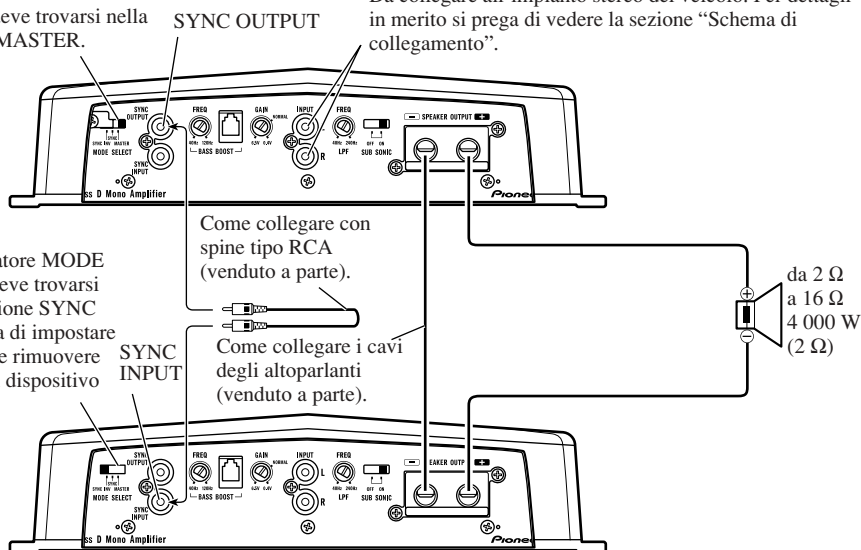


- Impiegare altoparlanti con impedenza compresa tra 1 Ω e 8 Ω.

## Due amplificatori (esempio di collegamento in parallelo)

Il commutatore MODE SELECT deve trovarsi nella posizione MASTER.

Da collegare all'impianto stereo del veicolo. Per dettagli in merito si prega di vedere la sezione "Schema di collegamento".



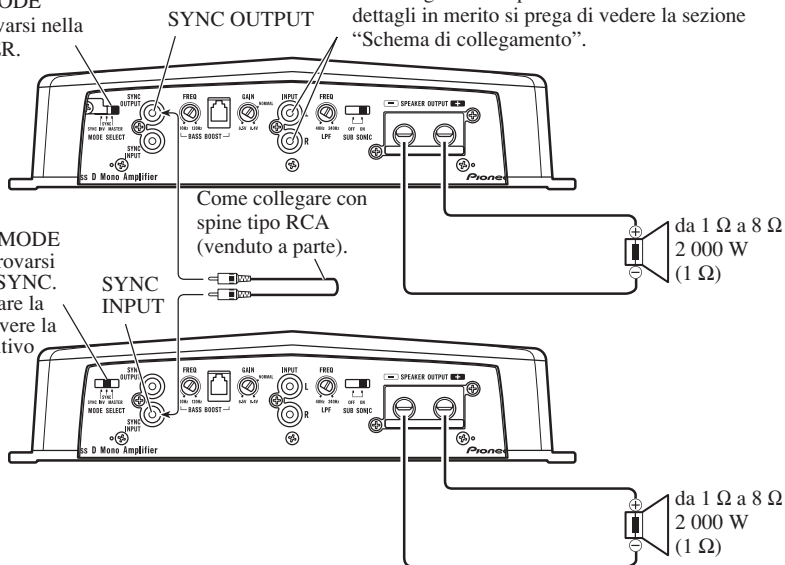
Il commutatore MODE SELECT deve trovarsi nella posizione SYNC INV. Prima di impostare la posizione rimuovere la vite ed il dispositivo di arresto.

- Impiegare esclusivamente altoparlanti con impedenza compresa tra 2 Ω e 16 Ω. In caso di collegamento in parallelo di più altoparlanti è necessario verificare che il valore d'impedenza artificiale sia di almeno 2 Ω.

## Due amplificatori

Il commutatore MODE SELECT deve trovarsi nella posizione MASTER.

Da collegare all'impianto stereo del veicolo. Per dettagli in merito si prega di vedere la sezione "Schema di collegamento".



Il commutatore MODE SELECT deve trovarsi nella posizione SYNC. Prima di impostare la posizione rimuovere la vite ed il dispositivo di arresto.

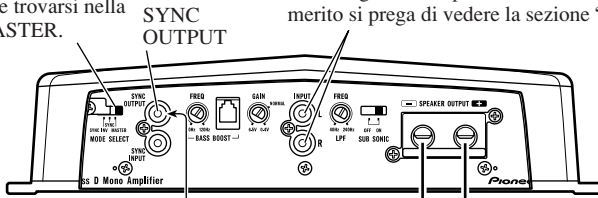
- Impiegare altoparlanti con impedenza compresa tra 1 Ω e 8 Ω.

# Come collegare l'unità

## Quattro amplificatori (esempio di collegamento in parallelo)

Il commutatore MODE SELECT deve trovarsi nella posizione MASTER.

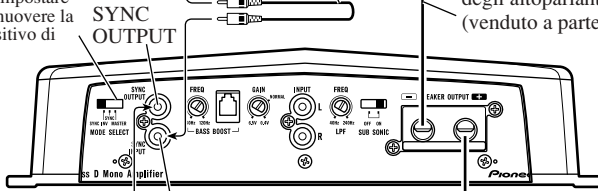
Da collegare all'impianto stereo del veicolo. Per dettagli in merito si prega di vedere la sezione "Schema di collegamento".



Il commutatore MODE SELECT deve trovarsi nella posizione SYNC INV. Prima di impostare la posizione rimuovere la vite ed il dispositivo di arresto.

Come collegare con spine tipo RCA (venduto a parte).

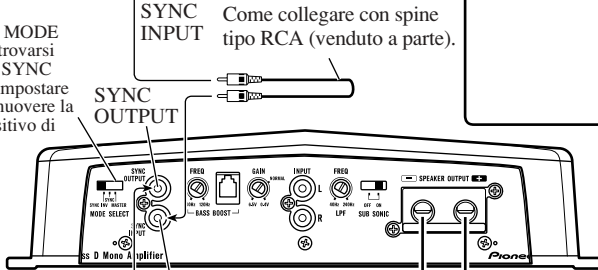
Come collegare i cavi degli altoparlanti (venduto a parte).



Il commutatore MODE SELECT deve trovarsi nella posizione SYNC INV. Prima di impostare la posizione rimuovere la vite ed il dispositivo di arresto.

Come collegare con spine tipo RCA (venduto a parte).

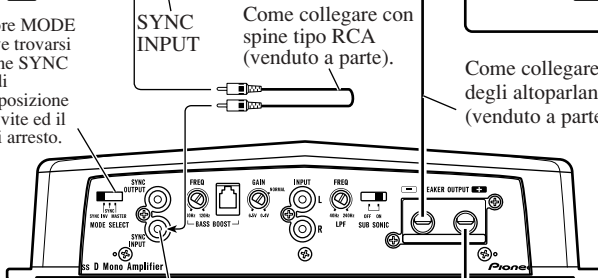
da 2 Ω  
a 16 Ω  
8 000 W  
(2 Ω  
DVC)



Il commutatore MODE SELECT deve trovarsi nella posizione SYNC INV. Prima di impostare la posizione rimuovere la vite ed il dispositivo di arresto.

Come collegare con spine tipo RCA (venduto a parte).

Come collegare i cavi degli altoparlanti (venduto a parte).



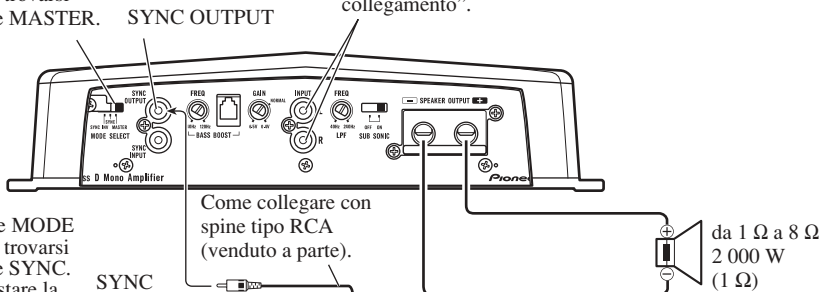
SYNC INPUT

- Impiegare esclusivamente altoparlanti con impedenza compresa tra 2 Ω e 16 Ω. In caso di collegamento in parallelo di più altoparlanti è necessario verificare che il valore d'impedenza artificiale sia di almeno 2 Ω.

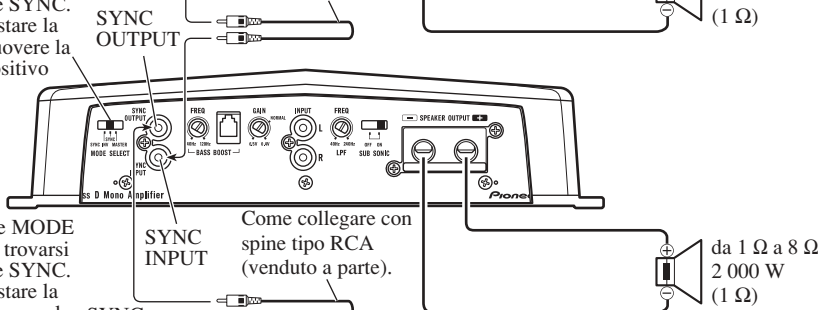
## Quattro amplificatori

Il commutatore MODE SELECT deve trovarsi nella posizione MASTER.

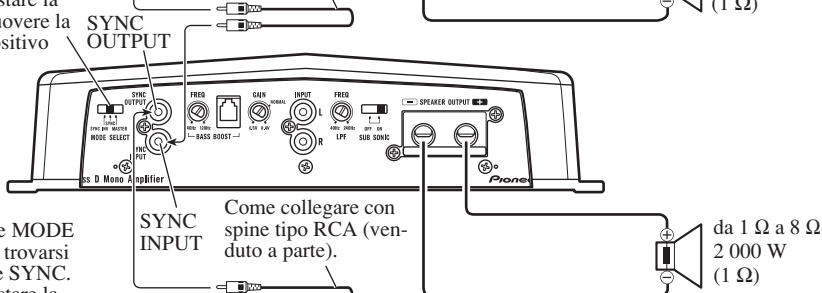
Da collegare all'impianto stereo del veicolo. Per dettagli in merito si prega di vedere la sezione "Schema di collegamento".



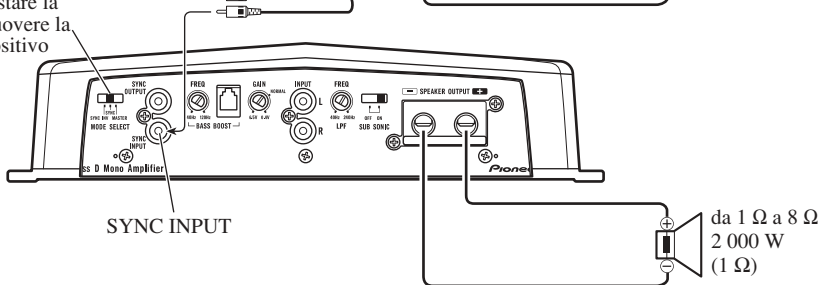
Il commutatore MODE SELECT deve trovarsi nella posizione SYNC. Prima di impostare la posizione rimuovere la vite ed il dispositivo di arresto.



Il commutatore MODE SELECT deve trovarsi nella posizione SYNC. Prima di impostare la posizione rimuovere la vite ed il dispositivo di arresto.



Il commutatore MODE SELECT deve trovarsi nella posizione SYNC. Prima di impostare la posizione rimuovere la vite ed il dispositivo di arresto.



- Impiegare altoparlanti con impedenza compresa tra 1 Ω e 8 Ω.

## PRECAUZIONE

- Non installare l'unità sulle posizioni seguenti:
  - Posti dove potrebbe ferire il conducente o i passeggeri se il veicolo si arresta bruscamente.
  - Posti dove potrebbe disturbare il conducente, come pavimento verso la parte anteriore del sedile del conducente.
- Assicurarsi che i cavi non vengano presi nel meccanismo a scorrimento del sedile, provocando così un cortocircuito.
- Verificare che nulla si trovi dietro il pannello quando si esegue un foro per l'installazione dell'amplificatore. Assicurarsi di proteggere tutti i cavi e componenti importanti come linee del carburante, linee del freno e cablaggio elettrico, contro i danni.
- Installare le viti autofilettanti in tale modo che le punte delle viti non siano in contatto con i cavi. Questa precauzione è importante per evitare che i cavi vengano tagliati dalle vibrazioni della vettura, poiché ciò può risultare in un incendio.
- NON lasciare che l'amplificatore entri in contatto con liquidi nel luogo in cui esso è installato. Si potrebbero generare infatti scosse elettriche. Il contatto con i liquidi può altresì danneggiare l'amplificatore stesso e i diffusori, con emissione di fumo e creazione di surriscaldamento. La superficie dell'amplificatore o quella degli altoparlanti ad esso collegati potrebbe inoltre divenire molto calda e, al contatto, procurare piccole scottature.
- Per ottenere una installazione appropriata, utilizzare le parti fornite nel modo specificato. Se qualunque parte diversa da quelle fornite viene utilizzata, potrà danneggiare le parti interne dell'amplificatore, oppure potrà allentarsi e l'amplificatore rischia di danneggiarsi.
- Non sostituire mai il fusibile con uno di valore o taratura superiore a quella del fusibile originale. L'uso di fusibili non adeguati può determinare un surriscaldamento o generare fumo, eventualmente danneggiando il prodotto e procurando lesioni o ustioni.

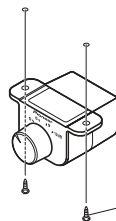
## PRECAUZIONE

### Per evitare malfunzionamenti e/o lesioni

- Per assicurare una dissipazione appropriata di calore dall'amplificatore, fare attenzione ai seguenti punti per l'installazione.
  - Lasciare uno spazio adeguato sopra l'amplificatore per ottenere una ventilazione appropriata.
  - Non ricoprire l'amplificatore con tappeti o moquette.
- NON lasciare che l'amplificatore entri in contatto con liquidi nel luogo in cui esso è installato. Si potrebbero generare infatti scosse elettriche. Il contatto con i liquidi può altresì danneggiare l'amplificatore stesso e i diffusori, con emissione di fumo e creazione di surriscaldamento. La superficie dell'amplificatore o quella degli altoparlanti ad esso collegati potrebbe inoltre divenire molto calda e, al contatto, procurare piccole scottature.
- Non installare l'amplificatore in luoghi instabili come il pannello della ruota di scorta.
- La posizione ottimale d'installazione varia a seconda del tipo di veicolo. L'amplificatore deve comunque essere installato in zone del veicolo adeguatamente rigide.
- Eseguire prima i collegamenti provvisori, poi verificare se l'amplificatore ed il sistema funzionano in modo adeguato.
- Una volta installato l'amplificatore si raccomanda di verificare che la ruota di scorta, il martinetto di sollevamento e i necessari attrezzi siano facilmente estraibili dal veicolo.

## Fissaggio del telecomando di potenziamento dei bassi

Deve essere fissato con viti autofilettanti (3 mm × 10 mm) in un punto del veicolo facilmente accessibile, ad esempio sotto il cruscotto.

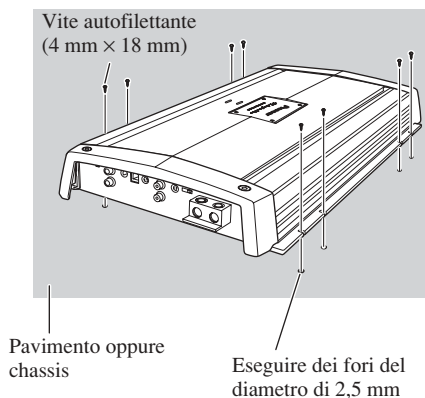


Vite autofilettante  
(3 mm × 10 mm)



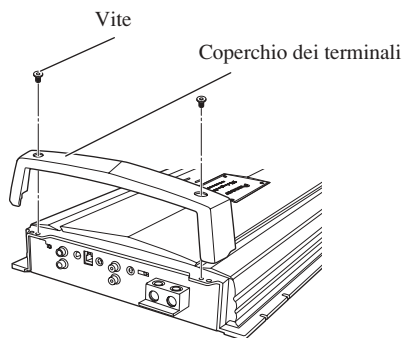
## Esempio dell'installazione sul pavimento oppure sullo chassis

1. Posizionare l'amplificatore dove deve essere installato. Inserire le viti autofilettanti fornite ( $4\text{ mm} \times 18\text{ mm}$ ) nei fori delle viti. Spingere le viti con un cacciavite per fare dei segni dove i fori dell'installazione devono essere fatti.
2. Eseguire dei fori del diametro di  $2,5\text{ mm}$  al punto marcato ed installare l'amplificatore, sia su tappeto, sia direttamente sullo chassis.



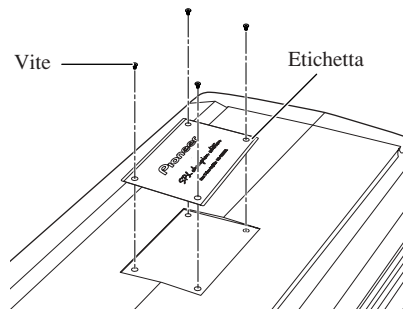
## Riapplicazione del coperchio dei terminali

1. Allineare il coperchio dei terminali all'unità ed inserire le viti.
2. Serrare bene le viti con la chiave esagonale da  $4\text{ mm}$ .



## Cambio di orientamento dell'etichetta

1. Per rimuovere l'etichetta è innanzi tutto necessario allentare le viti con una chiavetta esagonale a brugola da  $2\text{ mm}$ .
2. Cambiare l'orientamento dell'etichetta e quindi serrare nuovamente le viti con la chiavetta.



### Risoluzione dei problemi

---

Quando si accende l'amplificatore si accendono brevemente anche gli indicatori di seguito elencati. Va tuttavia notato che non si tratta di un malfunzionamento.

#### Indicatore HEAT

- Questo indicatore s'illumina di colore giallo quando la temperatura interna dell'amplificatore aumenta. In tal caso si raccomanda di spegnere immediatamente l'amplificatore e di verificare le condizioni della zona in cui esso è installato (vedere al riguardo la sezione "ATTENZIONE" a pagina 2). Se tale condizione persiste si raccomanda di rivolgersi al proprio rivenditore.

#### Indicatore PROTECT

- Questo indicatore lampeggia o s'illumina di luce rossa fissa quando nell'amplificatore si verifica un problema. In tal caso si raccomanda di spegnere immediatamente l'amplificatore e di verificare le condizioni del cablaggio (vedere al riguardo la sezione "ATTENZIONE" a pagina 2). Se tale condizione persiste si raccomanda di rivolgersi al proprio rivenditore.

## Caratteristiche

Alimentazione .....	14,4 V CC (10,8 V a 15,1 V permissibili)
Collegamento a terra .....	Tipo negativo
Consumo .....	67 A (ad alimentazione continua, 4 $\Omega$ )
Corrente media consumata* .....	18 A (4 $\Omega$ per una canale) 38 A (2 $\Omega$ per una canale) 55 A (1 $\Omega$ per una canale)
Fusibile .....	40 A $\times$ 6
Dimensioni .....	586 (L) $\times$ 65 (A) $\times$ 282 (P) mm
Peso .....	9,1 kg (Cavi per il cablaggio non compresi)
Uscita massima di potenza .....	1 500 W $\times$ 1 (4 $\Omega$ ) / 3 000 W $\times$ 1 (2 $\Omega$ ) / 4 000 W $\times$ 1 (1 $\Omega$ )
Potenza continua (14,4 V) .....	4 $\Omega$ , da 20 Hz a 240 Hz, $\leq$ 1,0 % THD, 750 W $\times$ 1 2 $\Omega$ , 50 Hz, $\leq$ 1,0 % THD, 1 500 W $\times$ 1 1 $\Omega$ , 50 Hz, $\leq$ 1,0 % THD, 2 000 W $\times$ 1
Impedenza di carico .....	4 $\Omega$ (1 $\Omega$ a 8 $\Omega$ permissibili)
Risposta in frequenza .....	10 Hz a 240 Hz (+0 dB, -3 dB)
Rapporto S/N .....	85 dB (rete IEC-A)
Distorsione .....	0,3 % (10 W / 4 $\Omega$ , 100 Hz)
Filtro passa-basso .....	Frequenza di taglio: 40 Hz a 240 Hz Pendenza di taglio: -24 dB/ottava
Filtro subsonico (HPF) .....	Frequenza: 20 Hz Pendenza: -24 dB/ottava
Potenziamento dei bassi .....	Frequenza: 40 Hz a 120 Hz Livello: 0 / 6 / 9 / 12 dB
Controllo di guadagno .....	RCA: 400 mV a 6,5 V
Livello di ingresso massimo / impedenza .....	RCA: 6,5 V / 22 k $\Omega$

### Nota:

- Caratteristiche tecniche e design soggetti a modifiche senza preavviso a causa di migliorie.

### \*Corrente media consumata

- La corrente media consumata è circa uguale alla corrente massima consumata da questa unità quando un segnale audio viene immesso. Tenere presente questo valore per il calcolo della corrente totale consumata dai vari amplificatori utilizzati.

<b>Alvorens gebruik</b> .....	<b>1</b>
Productregistratie .....	1
Bij problemen .....	2
Over dit product .....	2
WAARSCHUWING .....	2
WAARSCHUWING .....	2
<b>Instellen van dit toestel</b> .....	<b>3</b>
MODE SELECT schakelaar .....	3
Frequentieregelaar van het versterkingsniveau van de lage klanken .....	3
Bass Boost niveauregeling .....	3
Aansluitingenafdekking .....	3
Regelaar voor drempelfrequentie voor LPF .....	3
Versterkingsregelaar .....	4
BFC (Beat Frequency Control) schakelaar .....	4
HEAT indicator .....	4
PROTECT indicator .....	4
Spanningsindicator .....	4
Subsonic Keuzetoets .....	4
Correct instellen van de Gain (extra versterking) .....	5
<b>Aansluiten van het toestel</b> .....	<b>6</b>
Aansluitschema .....	7
Aansluitingen zonder solderen .....	8
Verbinden van de luidsprekeruitgangsaansluitingen .....	8
Aansluiten van het spanningsaansluitpunt .....	9
Instellen van de versterking voor een gesynchroniseerde versterker .....	10
Aansluiten van de luidsprekerdraden .....	10
<b>Installatie</b> .....	<b>15</b>
Bevestigen van de Bass Boost afstandsbediening .....	15
Voorbeeld van installatie op de vloermat of op het chassis .....	16
Terugzetten van de aansluitingenafdekking .....	16
Omdraaien van het embleem .....	16
<b>Aanvullende informatie</b> .....	<b>17</b>
Oplossen van problemen .....	17
<b>Technische gegevens</b> .....	<b>18</b>

Dank U zeer voor de aanschaf van dit PIONEER-product. Lees deze gebruiksaanwijzing goed door, voordat het toestel in gebruik genomen wordt.



Deponeer dit product niet bij het gewone huishoudelijk afval wanneer u het wilt verwijderen. Er bestaat een speciaal wettelijk voorgeschreven verzamelstelsel voor de juiste behandeling, het opnieuw bruikbaar maken en de recycling van gebruikte elektronische producten.

In de 25 lidstaten van de EU, Zwitserland en Noorwegen kunnen particulieren hun gebruikte elektronische producten gratis bij de daarvoor bestemde verzamelplaatsen of een verkooppunt (indien u aldaar een gelijkwaardig nieuw product koopt) inleveren.

Indien u zich in een ander dan bovengenoemd land bevindt kunt u contact opnemen met de plaatselijke overheid voor informatie over de juiste verwijdering van het product.

Zodoende zorgt u ervoor dat het verwijderde product op de juiste wijze wordt behandeld, opnieuw bruikbaar wordt gemaakt, gerecycleerd en het niet schadelijk is voor de gezondheid en het milieu.

## Productregistratie

Hier vindt u onze site:



Registreer uw product. Wij bewaren de gegevens van het product dat u heeft aangeschaft zodat u deze eenvoudig kunt opvragen als u die nodig mocht hebben voor de verzekering na bijvoorbeeld verlies of diefstal.

## Bij problemen

---

Neem contact op met uw dealer of het dichtstbijzijnde PIONEER service-centrum, wanneer de eenheid niet juist functioneert.

## Over dit product

---

Dit product is een versterker voor de subwoofer. Als zowel de L (linker) als R (rechter) kanalen zijn aangesloten op de RCA (tulp) ingangsaansluitingen van dit product, zal de geluidswaergeving gemengd zijn omdat dit product een mono-versterker is.



## WAARSCHUWING

---

- Vervang de zekering in geen geval door één met een hoger vermogen of hogere waarde dan de originele. Gebruik van een verkeerde zekering kan leiden tot oververhitting en rookontwikkeling en tot beschadiging van het product en letsel, bijvoorbeeld brandwonden.
- Gebruikt de meegeleverde inbussleutel om de schroeven of bouten vast te draaien wanneer u de draden aan de aansluitingen bevestigt of wanneer u het schildje wilt omdraaien. Gebruik van een los verkrijgbare, lange inbussleutel kan ertoe leiden dat er teveel kracht wordt gezet, hetgeen de aansluitingen en de bedrading zou kunnen beschadigen.

## WAARSCHUWING

---

- Gebruik altijd de aanbevolen accudraad en aarddraad (los verkrijgbaar). Verbind het accudraad direct met de positieve pool (+) van de autoaccu en het aarddraad met het chassis van de auto.
- Raak de versterker niet met natte handen aan. U zou anders een elektrische schok kunnen krijgen. Raak de versterker tevens niet aan wanneer deze nat is.
- Voor de verkeersveiligheid dient u het volume zodanig in te stellen dat u verkeerssignalen en ander verkeer nog goed kunt horen.
- Controleer de verbindingen van de spanningstoevoer en luidsprekers inden de zekering van het los verkrijgbare accudraad of de zekering van de versterker regelmatig doorbrandt. Zoek de oorzaak en los het probleem op. Plaats vervolgens een nieuwe zekering van hetzelfde formaat en ampèrage.
- Om een onjuiste werking van de versterker en de subwoofer te voorkomen, schakelt het beschermingscircuit van de versterker de spanning naar de versterker uit indien de omstandigheden niet normaal zijn. Schakel in dit geval de spanning van het systeem uit (OFF), controleer de verbinding met de spanningsbron en de subwoofer. Zoek de oorzaak en los het probleem op.
- Raadpleeg de plaats van aankoop indien u de oorzaak niet kunt vinden.
- Om een elektrische schok of kortsluiting te voorkomen tijdens het aansluiten en installeren, moet de negatieve (-) pool van de accu worden ontkoppeld voordat u de eenheid aansluit.
- Controleer of er zich geen onderdelen achter het paneel bevinden wanneer u een gat boort voor de installatie van de versterker. Zorg ervoor dat alle kabels en belangrijke onderdelen zoals brandstofleidingen, remleidingen en de elektrische bedrading beveiligd zijn en niet kunnen worden beschadigd.
- Laat de versterker IN GEEN GEVAL in contact komen met vloeistoffen, bijvoorbeeld als gevolg van de opstelling van de versterker. Dit kan leiden tot elektrische schokken. De versterker en luidsprekers kunnen ook beschadigd raken, rook produceren en oververhit raken door contact met vloeistoffen. Daarbij kan het oppervlak van de versterker en het oppervlak van aangesloten luidsprekers heet worden, hetgeen kan leiden tot lichte brandwonden.

## MODE SELECT schakelaar

U kunt de synchronisatiefunctie van de versterker instellen op MASTER, SYNC, of SYNC INV. Zet de MODE SELECT schakelaar op MASTER wanneer u alleen de versterker gebruikt. Wanneer u twee of meer van deze synchroon geschakelde versterkers gebruikt, dient u de eerste daarvan op MASTER te zetten en de resterende op SYNC of SYNC INV afhankelijk van de manier waarop ze zijn aangesloten. De versterkers moeten alleen op SYNC INV worden ingesteld wanneer ze synchroon geschakeld zijn in een brugschakeling. Wanneer u overschakelt naar de SYNC of SYNC INV stand, dient u de schroef en de stopper te verwijderen. Verwijder de schroef en de stopper pas nadat u gecontroleerd of de verbindingen correct zijn. Zie "Aansluiten van de luidsprekerdraden" voor details omtrent de MODE SELECT schakelaar.

## Frequentieregelaar van het versterkingsniveau van de lage klanken

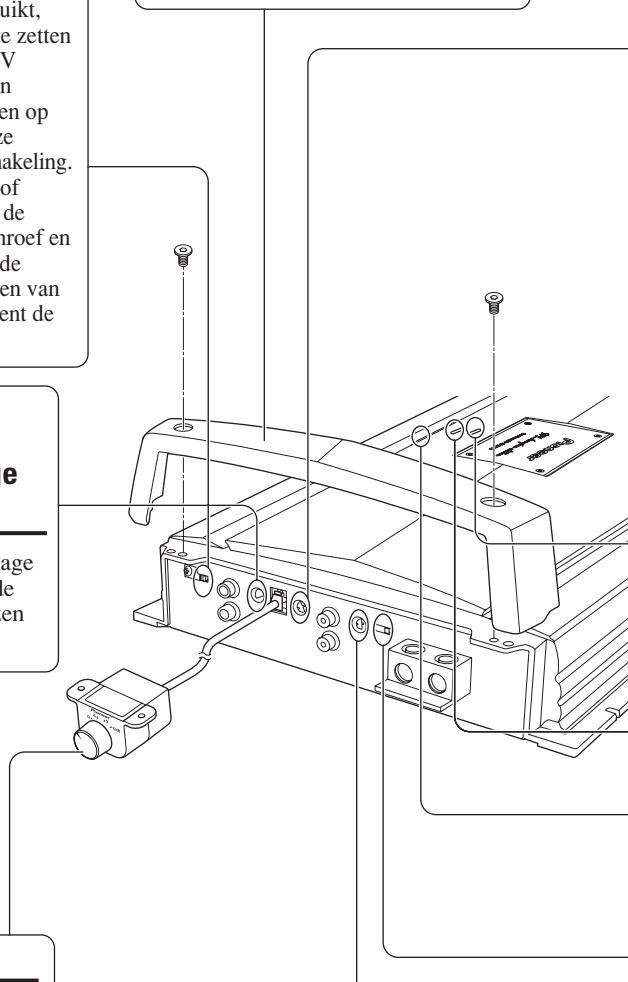
Met de versterkingsregelaar van de lage klanken kunt u een frequentie voor de versterking van de lage klanken kiezen die tussen 40 Hz t/m 120 Hz ligt.

## Bass Boost niveauregeling

U kunt de lage tonen extra versterken (Bass Boost) met 0, 6, 9 of 12 dB. Voor aanwijzingen omtrent het aansluiten van de Bass Boost afstandsbediening op de versterker, verwijzen we u naar het "Aansluitschema".

## Aansluitingenafdekking

Voor u het toestel gaat installeren, dient u de schroeven los te maken met een inbussleutel van 4 mm en dient u de aansluitingenafdekking te verwijderen.



## Regelaar voor drempelfrequentie voor LPF

U kunt een drempelfrequentie van 40 Hz t/m 240 Hz kiezen.

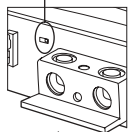
## **Versterkingsregelaar**

Draai de versterkingsregelaar naar rechts indien de weergave te zacht klinkt, zelf wanneer het volume is verhoogd met de autostereo die u met deze eindversterker gebruikt. Draai de versterkingsregelaar naar links indien het geluid vervormt wanneer het volume wordt verhoogd.

- Wanneer u een auto-stereo gebruikt met RCA (standaard uitgangsspanning 500 mV), dient u de NORMAL stand in te stellen. Wanneer u een Pioneer autostereo met RCA gebruikt, met een maximale uitgangsspanning van 4 V of meer, dient u het niveau aan te passen aan het uitgangsniveau van de autostereo.
- Voor de versterking van een gesynchroniseerde versterker, zie “Instellen van de versterking voor een gesynchroniseerde versterker”.

## **BFC (Beat Frequency Control) schakelaar**

Als u een ritmisch geluid (beat) hoort wanneer u naar een MW/LW uitzending luistert met uw autostereo, kunt u de BFC schakelaar verzetten met behulp van een kleine schroevendraaier.



## **HEAT indicator (Geel)**

Deze indicator geeft aan dat er een probleem is met de versterker. Zie het hoofdstuk “Oplossen van problemen” op bladzijde 17 voor details.

## **PROTECT indicator (Rood)**

Deze indicator geeft aan dat er een probleem is met de versterker. Zie het hoofdstuk “Oplossen van problemen” op bladzijde 17 voor details.

## **Spanningsindicator (Blauw)**

De spanningsindicator licht op wanneer de spanning wordt ingeschakeld.

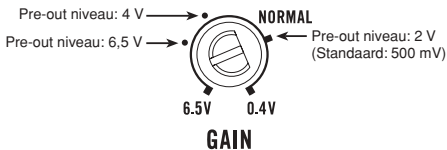
## **Subsonic Keuzetoets**

Het Subsonic filter houdt onhoorbare frequenties lager dan 20 Hz tegen om ongewenste vibraties te voorkomen en vermogensverliezen te minimaliseren.

## Correct instellen van de Gain (extra versterking)

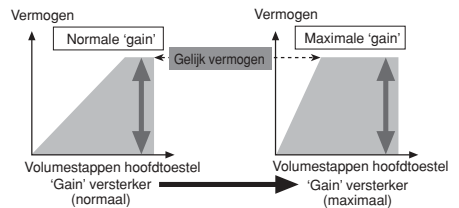
- Dit toestel is uitgerust met een beveiliging die bedoeld is om storingen aan het toestel zelf en aan de luidsprekers veroorzaakt door een te hoog uitgangsvermogen, onjuist gebruik of onjuiste aansluitingen te voorkomen.
- Wanneer er geluid wordt gereproduceerd bij een te hoog volume enz. zal deze functie de geluidswaergave binnen een paar seconden onderbreken. Dit duidt echter niet op een storing. Wanneer u het volume van het hoofdtoestel lager zet, zal de geluidswaergave worden hersteld.
- Als de geluidswaergave wordt onderbroken, is het mogelijk dat de 'gain' (extra versterking) van dit toestel incorrect is ingesteld. Om er zeker van te kunnen zijn dat de geluidswaergave niet zal worden onderbroken wanneer het hoofdtoestel met een hoog volume weergeeft, dient u de 'gain' instelling van de versterker op een geschikte stand te zetten in overeenstemming met het maximale pre-out uitgangsniveau van het hoofdtoestel.

### 'Gain' instelling van dit toestel



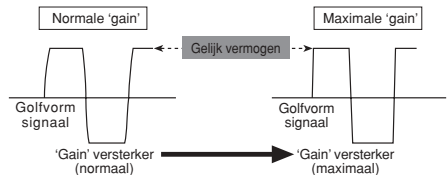
Zo is het niet nodig het volume van het hoofdtoestel te verlagen en wordt een te hoog uitgangsniveau voorkomen.

### Verhouding tussen de 'gain' van de versterker en het uitgangsvermogen van het hoofdtoestel



- Als u de 'gain' (extra versterking) van de versterker op een ongeschikt niveau instelt, zal alleen de vervorming toenemen en zal het vermogen slechts marginaal toenemen.

### Golfvorm signaal bij waergave met hoog volume via de 'gain' instelling van de versterker



- Bij een hoog uitgangsvermogen wordt de golfvorm van het signaal vervormd, terwijl het vermogen slechts marginaal zal veranderen als u de 'gain' van de versterker hoger instelt.
- Als u het volume van het hoofdtoestel hoger zet en de 'gain' (extra versterking) van de versterker op de juiste stand, maar merkt dat het geluid nog steeds zo nu en dan onderbroken wordt, dan dient u contact op te nemen met uw dichtstbijzijnde erkende PIONEER service-centrum.





## WAARSCHUWING

- Voorkom kortsluiting en beschadiging van de eenheid en ontkoppel de negatieve (-) accupool van het voertuig.
- Zet de bedrading met kabelklemmen of isoleer- of plakband vast. Bescherm de bedrading door de gedeelten in de buurt van metalen delen met isoleerband af te dekken.
- Leid de draden niet langs plaatsen die heet worden, bijvoorbeeld in de buurt van de verwarmingselementen. Indien de isolatie van draden heet wordt, zullen de draden worden beschadigd met kortsluiting tot gevolg.
- De versterker verhoogt de belasting op de accu en het laadsysteem. Zorg ervoor dat de wisselstroomgenerator en de accu voldoende capaciteit hebben voor deze versterker. Het verdient aanbeveling gebruik te maken van een extra zware accu, van parallel geschakelde gewone accu's, of van een condensator voor stroomopslag.

- Zorg dat de bedrading de werking van bewegende of verplaatsbare onderdelen, bijvoorbeeld de versnelling, handrem of stoelverstelmechanismen van het de auto niet hindert.
- Sluit draden niet kort. Het beschermingscircuit werkt anders namelijk niet wanneer het voor de veiligheid zou moeten functioneren.
- Tap het spanningsdraad van dit toestel niet af voor gebruik van andere apparaten. Het vermogen van het draad zou dan namelijk worden overschreden, met oververhitting tot gevolg.
- Vervang de zekering in geen geval door één met een hoger vermogen of hogere waarde dan de originele. Gebruik van een verkeerde zekering kan leiden tot oververhitting en rookontwikkeling en tot beschadiging van het product en letsel, bijvoorbeeld brandwonden.



## WAARSCHUWING

### Om beschadiging en/of letsel te voorkomen

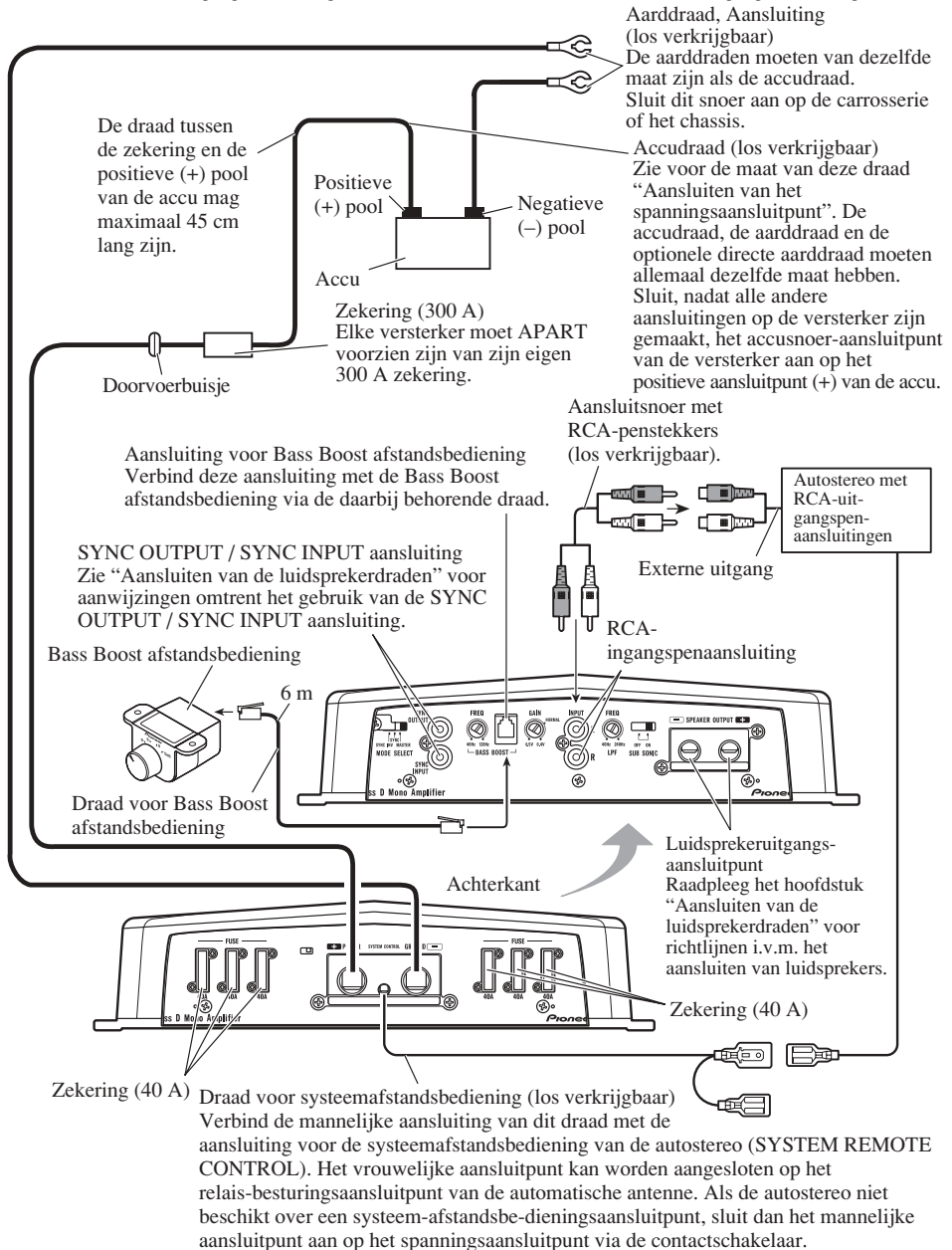
- Aard het luidsprekersnoer niet rechtstreeks en sluit evenmin een negatief snoer (-) aan voor verschillende luidsprekers.
- Dit toestel is ontworpen voor auto's met een accu van 12 V en negatieve aarding. Kijk bijgevolg eerst de accuspanning na voor u het toestel installeert in een recreatief voertuig, vrachtwagen of bus.
- De accu raakt mogelijk uitgeput indien de autostereo langdurig is ingeschakeld maar de motor stationair draait of is uitgeschakeld. Zet de autostereo uit wanneer de motor stationair draait of is uitgeschakeld.
- Als het systeem-afstandbedieningssnoer van de versterker is aangesloten op de spanningsaansluiting via de contactschakelaar (12 V gelijkstroom), is de versterker altijd ingeschakeld wanneer het contact aanstaat, ongeacht of de autostereo wel of niet door u is aangezet. Hierdoor raakt de accu mogelijk uitgeput wanneer de motor stationair draait of is uitgeschakeld.
- Sluit **GEEN** subwoofer aan met een lagere impedantie dan opgegeven onder "Aansluiten van de luidsprekerdraden". Dit kan namelijk leiden tot schade aan de versterker, rookontwikkeling en oververhitting. Ook kan het oppervlak van de versterker heet aanvoelen, hetgeen zelfs kan leiden tot lichte brandwonden.

- U kunt drie soorten subwoofers aansluiten op de versterker; 1: een subwoofer met een nominaal ingangsvermogen van 750 W of meer en een impedantie van 4  $\Omega$ , 2: een subwoofer met een nominaal ingangsvermogen van 1 500 W of meer en een impedantie van 2  $\Omega$  of 3: een subwoofer met een nominaal ingangsvermogen van 2 000 W of meer en een impedantie van 1  $\Omega$ . Als het nominale ingangsvermogen en de impedantie buiten de genoemde waarden ligt, kan de subwoofer vlam vatten, rook uitstoten of kapot gaan.
- Plaats en leid het los verkrijgbare accudraad zo ver als mogelijk uit de buurt van de luidsprekerdraden. Plaats en leid het los verkrijgbare accudraad en aardendraad, luidsprekerdraden en de versterker zo ver als mogelijk uit de buurt van de antenne, antennekabel en tuner.

- Snoeren voor dit toestel en overeenkomende snoeren voor andere toestellen hebben mogelijk verschillende kleuren ookal is de functie van de snoeren hetzelfde. Zie voor het verbinden van dit toestel met een ander toestel daarom de handleiding van beide toestellen en verbind de snoeren met dezelfde functie met elkaar.

## Aansluitschema

- Wanneer u een externe uitgang van een autostereo aansluit op een RCA (tulpstekker) ingang, dient u de aansluiting voor geluidsignalen met het volledige toonbereik te gebruiken. De reden hiervoor is dat het laag-doorlaatfilter (LPF) van de versterker niet uitgeschakeld kan worden. Als deze aansluiting niet gebruikt kan worden, dient u de uitgangsaansluiting voor de subwoofer te verbinden met de RCA ingangsaansluiting.



## Aansluitingen zonder solderen

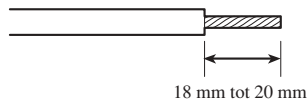
- Omdat de draad na verloop van tijd los zal komen te zitten, moet u deze regelmatig controleren en indien nodig opnieuw vastzetten.
- Zet de uiteinden van de draadjes niet vast door ze te solderen of af te binden.
- Let er bij het vastdraaien op dat u de draad niet met de isolatie vastklemt.
- Gebruik de meegeleverde inbussleutel om de schroef van de versterkeraansluiting vast of los te draaien. Zet de draad goed vast met de schroef van de aansluiting. Omdat echter te vast aandraaien van de aansluitingsschroef voor de systeemafstandsbediening het risico met zich meebrengt dat de draad beschadigd raakt, moet u de draad bij het vastdraaien goed in de gaten houden en voorzichtig zijn dat u de schroef niet te vast aandraait.

## Verbinden van de luidsprekeruitgangsaansluitingen

### Maat luidsprekerdraad

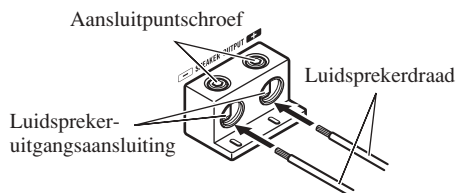
Draadlengte	minder dan 4,3 m	minder dan 6,4 m	minder dan 10,7 m
Draadmaat	8 AWG	6 AWG	4 AWG

1. Strip ongeveer 18 mm tot 20 mm van de isolatie van het uiteinde van de luidsprekerdraden met een striptang of mes.



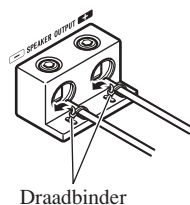
2. Verbind de luidsprekerdraden met de luidsprekeruitgangsaansluiting.

- Zet de luidsprekerdraden goed met de schroeven van de aansluiting vast.



3. Doe de draadbinders in de sleuven en wikkel de draadbinders om de draden.

- Wikkel de draadbinder om de isolatie, niet om het ontblote deel van de bedrading.
- Knip de overvallige uiteinden van de draadbinders af.



## Aansluiten van het spanningsaansluitpunt

- Gebruik altijd de aanbevolen accu en aarddraad (los verkrijgbaar). Verbind het accudraad direct met de positieve pool (+) van de autoaccu en het aarddraad met het chassis van de auto.
- De aanbevolen maten voor de draden (AWG: American Wire Gauge) zijn als volgt. De accudraad, de aarddraad en de optionele directe aarddraad moeten allemaal dezelfde maat hebben.
- Gebruik draad van 10 AWG tot 20 AWG voor de draad voor de systeemafstandsbediening.

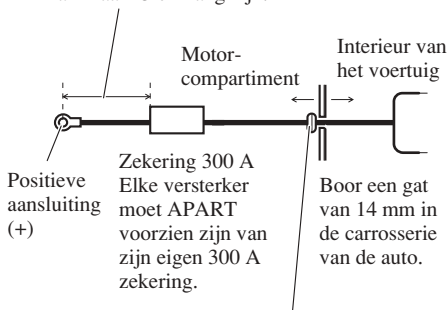
### Maat voor de accudraad en de aarddraad

Draadlengte	minder dan 2,1 m	minder dan 3,6 m	minder dan 5,2 m	minder dan 6,4 m
Draadmaat	4 AWG	2 AWG	1 AWG	0 AWG

## 1. Trek het accudraad van het motorgedeelte naar de cabine van de auto.

- Sluit, nadat alle andere aansluitingen op de versterker zijn gemaakt, het accusnoer-aansluitpunt van de versterker aan op het positieve aansluitpunt (+) van de accu.

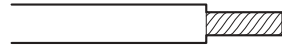
De draad tussen de zekering en de positieve (+) pool van de accu mag maximaal 45 cm lang zijn.



Steek het rubberen O-vormige doorvoerbuisje in de carrosserie van de auto.

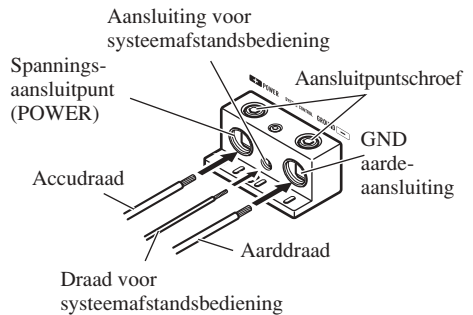
## 2. Strip de isolatie van het uiteinde van de draden met een striptang of mes.

- Accudraad, aarddraad: 23 mm tot 25 mm
- Draad voor de systeemafstandsbediening: 14 mm tot 16 mm



## 3. Sluit de draden aan.

- Zet de draden stevig met de schroeven van de aansluitingen vast.

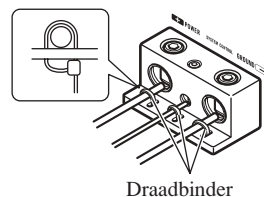


## ⚠ WAARSCHUWING

Als de accudraad niet goed wordt bevestigd aan het aansluitpunt met behulp van de schroef, kan het aansluitpunt oververhit raken, hetgeen kan leiden tot schade en letsel, met inbegrip van lichte brandwonden.

## 4. Doe de draadbinders in de sleuven en wikkel de draadbinders om de draden.

- Wikkel de draadbinder om de isolatie, niet om het ontblote deel van de bedrading.
- Knip de overvallige uiteinden van de draadbinders af.



## Instellen van de versterking voor een gesynchroniseerde versterker

---

Nadat u de luidsprekerdraden heeft aangesloten, dient u de versterking voor elke gesynchroniseerde versterker in te stellen. Alle gesynchroniseerde versterkers volgen de instellingen van de hoofdversterker.

### Snelle instelling van de versterking

Zet de versterking van elke gesynchroniseerde versterker op NORMAL. Deze instelling zorgt voor een gebalanceerd uitgangsniveau en is geschikt voor de meeste toepassingen.

### Geavanceerde instelling van de versterking

Regel de versterking van alle gesynchroniseerde versterkers, te beginnen met de hoofdversterker.

1. Laat het systeem een sinusgolf reproduceren op een laag uitgangsniveau.
2. Neem een voltmeter en meet het uitgangsniveau van de hoofdversterker.
3. Meet nu met de voltmeter het uitgangsniveau van de gesynchroniseerde versterker.
4. Regel het uitgangsniveau van de gesynchroniseerde versterker zo dat dit overeenkomt met dat van de hoofdversterker.
5. Herhaal deze procedure voor elk van de gesynchroniseerde versterkers, in de juiste volgorde.

## Aansluiten van de luidsprekerdraden

---

Sluit de luidsprekerdraden aan en zet de MODE SELECT schakelaar op de voor uw systeem correcte stand, zoals hieronder en op de volgende bladzijde aangegeven.

- Wanneer er twee of meer versterkers gecombineerd synchroon zijn aangesloten, dient u uitsluitend deze versterkers te gebruiken. Gebruik deze versterkers niet door elkaar met andere versterkers.
- Wanneer er twee of meer versterkers gecombineerd synchroon zijn aangesloten, dient u de extra versterking (Gain), subsonische keuzeschakelaar, afsnijfrequentie voor het laag-doorlaatfilter en de extra lage tonenversterking (Bass Boost) te regelen via de versterker waarvan de MODE SELECT schakelaar op MASTER is gezet. Deze instellingen, met uitzondering van de Gain regeling, staan buiten werking op een versterker die is ingesteld op SYNC of SYNC INV. Zie voor details omtrent het regelen van de Gain extra versterking “Instellen van de versterking voor een gesynchroniseerde versterker”.

## WAARSCHUWING

Diagram A - Correct

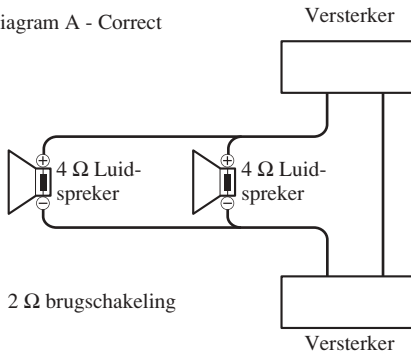
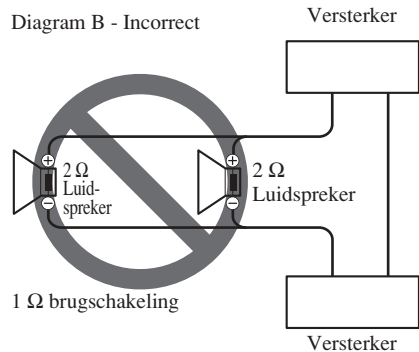


Diagram B - Incorrect



U mag deze versterker NIET installeren of gebruiken door luidsprekers van 2  $\Omega$  (of lager) parallel te bedraden om een overbrugde modus (brugschakeling: diagram B) van 1  $\Omega$  (of lager) te verkrijgen.

Een onjuiste overbrugging kan leiden tot schade aan de versterker, rook en oververhitting. Het oppervlak van de verwerker kan ook te heet worden om aan te raken en dit kan resulteren in lichte brandwonden.

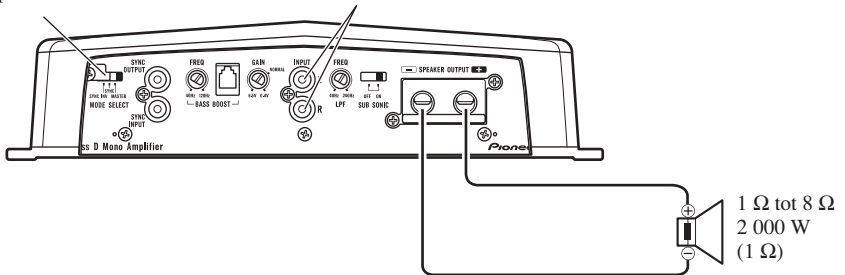
Om een overbrugde modus (brugschakeling) op de juiste manier te installeren of te gebruiken en een belasting van 2  $\Omega$  te verkrijgen, dient u twee luidsprekers van 4  $\Omega$  parallel te bedraden met Links + en Rechts - (diagram A) of een enkelvoudige luidspreker van 2  $\Omega$  te gebruiken.

Raadpleeg bovendien de handleiding van de luidspreker in kwestie voor meer informatie over de juiste manier van aansluiten.

## Enkele versterker

De MODE SELECT schakelaar moet op MASTER staan.

Aansluiten op een autostereo.  
Zie het "Aansluitschema" voor details.

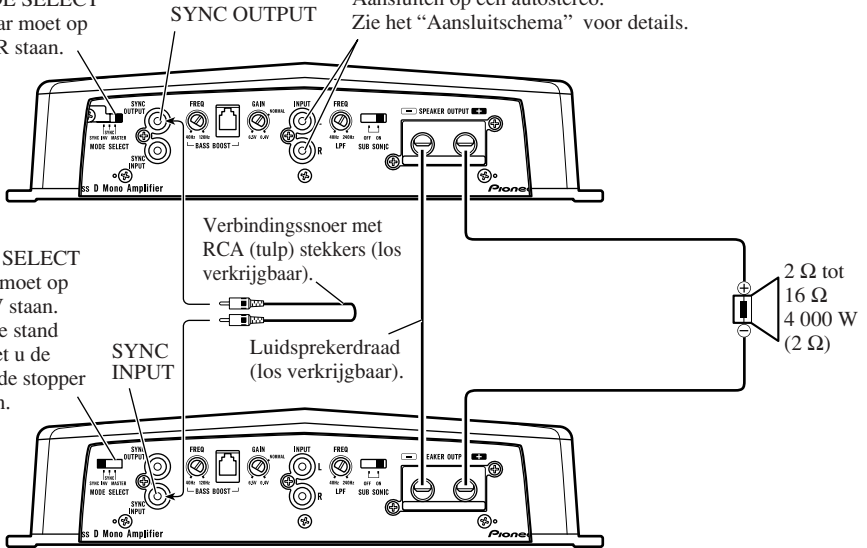


- Gebruik luidsprekers met een impedantie van 1  $\Omega$  tot 8  $\Omega$ .

## Twee versterkers (Ex. brugschakeling)

De MODE SELECT schakelaar moet op MASTER staan.

Aansluiten op een autostereo.  
Zie het "Aansluitschema" voor details.



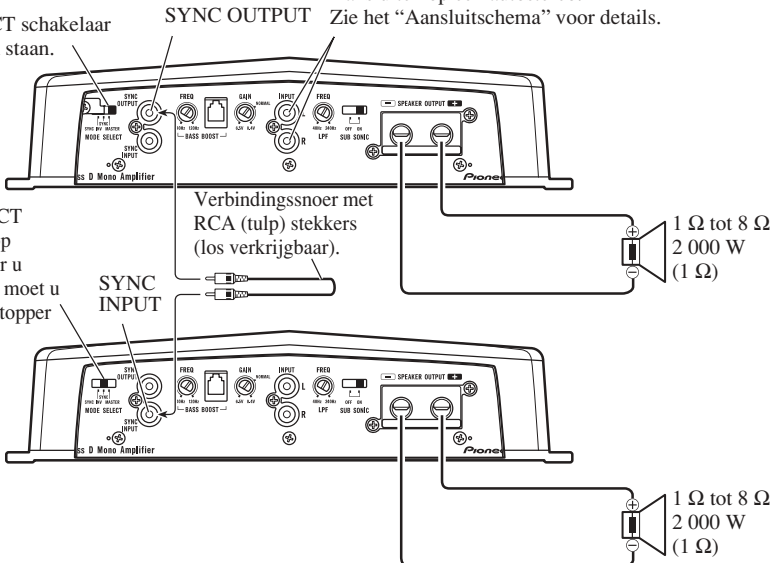
De MODE SELECT schakelaar moet op SYNC INV staan. Voor u deze stand instelt, moet u de schroef en de stopper verwijderen.

- Gebruik alleen luidsprekers met een impedantie van 2 Ω tot 16 Ω. Controleer bovendien of de synthetische tenminste 2 Ω bedraagt wanneer er meerdere versterkers in brugschakeling worden gebruikt.

## Twee versterkers

De MODE SELECT schakelaar moet op MASTER staan.

Aansluiten op een autostereo.  
Zie het "Aansluitschema" voor details.



De MODE SELECT schakelaar moet op SYNC staan. Voor u deze stand instelt, moet u de schroef en de stopper verwijderen.

- Gebruik luidsprekers met een impedantie van 1 Ω tot 8 Ω.

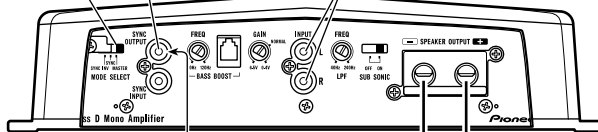
# Aansluiten van het toestel

## Vier versterkers (Ex. brugschakeling)

De MODE SELECT schakelaar moet op MASTER staan.

SYNC OUTPUT

Aansluiten op een autostereo. Zie het "Aansluitschema" voor details.

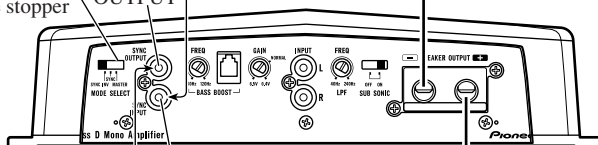


De MODE SELECT schakelaar moet op SYNC INV staan. Voor u deze stand instelt, moet u de schroef en de stopper verwijderen.

SYNC OUTPUT

Verbindingskabel met RCA (tulpe) stekkers (los verkrijgbaar).

Luidsprekerkabel (los verkrijgbaar).

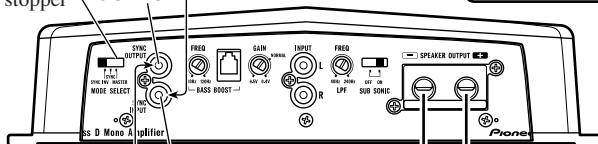


De MODE SELECT schakelaar moet op SYNC INV staan. Voor u deze stand instelt, moet u de schroef en de stopper verwijderen.

SYNC OUTPUT

Verbindingskabel met RCA (tulpe) stekkers (los verkrijgbaar).

2 Ω tot 16 Ω  
8 000 W  
(2 Ω DVC)

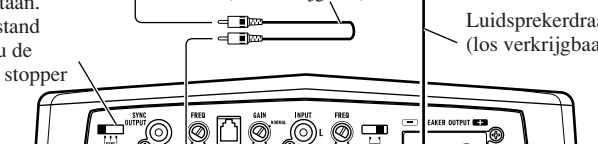


De MODE SELECT schakelaar moet op SYNC INV staan. Voor u deze stand instelt, moet u de schroef en de stopper verwijderen.

SYNC INPUT

Verbindingskabel met RCA (tulpe) stekkers (los verkrijgbaar).

Luidsprekerkabel (los verkrijgbaar).



SYNC INPUT

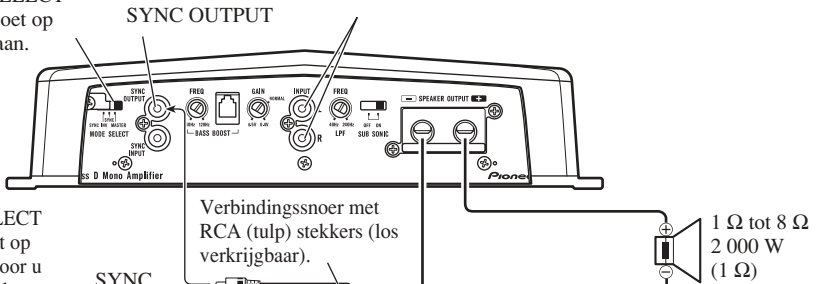
- Gebruik alleen luidsprekers met een impedantie van 2 Ω tot 16 Ω. Controleer bovendien of de synthetische tenminste 2 Ω bedraagt wanneer er meerdere versterkers in brugschakeling worden gebruikt.



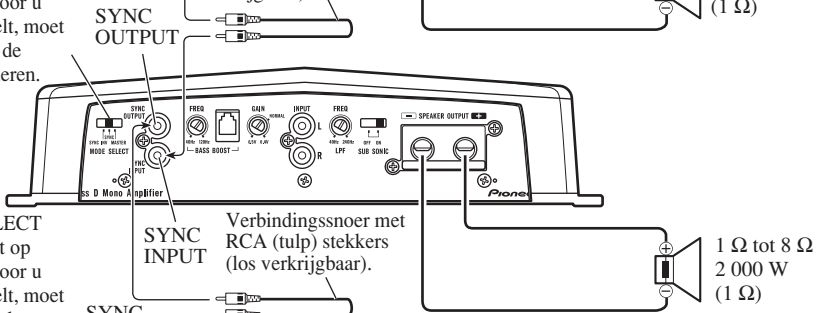
## Vier versterkers

Aansluiten op een autostereo.  
Zie het "Aansluitschema" voor details.

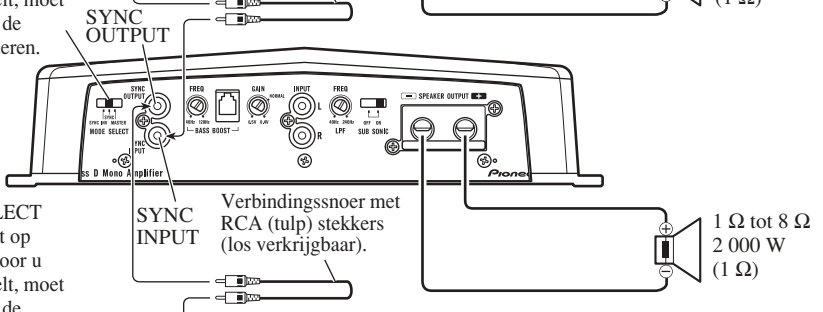
De MODE SELECT schakelaar moet op MASTER staan.



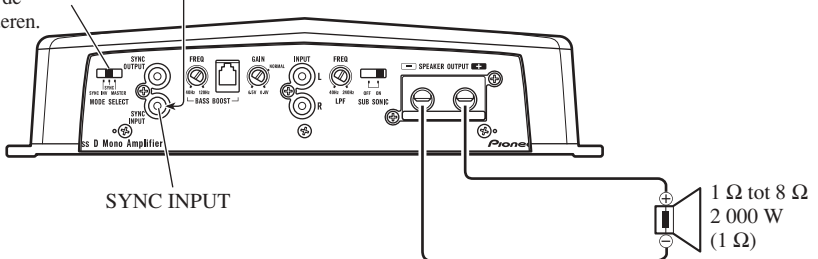
De MODE SELECT schakelaar moet op SYNC staan. Voor u deze stand instelt, moet u de schroef en de stopper verwijderen.



De MODE SELECT schakelaar moet op SYNC staan. Voor u deze stand instelt, moet u de schroef en de stopper verwijderen.



De MODE SELECT schakelaar moet op SYNC staan. Voor u deze stand instelt, moet u de schroef en de stopper verwijderen.



- Gebruik luidsprekers met een impedantie van 1 Ω tot 8 Ω.

## WAARSCHUWING

- Niet installeren op:
  - Plaatsen waar het de bestuurder of passagiers zou kunnen verwonden wanneer de auto plotseling stopt.
  - Plaatsen waar de bestuurder door de eenheid tijdens het rijden zou kunnen worden gehinderd, zoals bijvoorbeeld op de vloer voor de bestuurdersstoel.
- Controleer dat draden niet in de weg van de stoelverstelmechanismen zitten. Dit zou namelijk kortsluiting kunnen veroorzaken.
- Controleer of er zich geen onderdelen achter het paneel bevinden wanneer u een gat boort voor de installatie van de versterker. Zorg ervoor dat alle kabels en belangrijke onderdelen zoals brandstofleidingen, remleidingen en de elektrische bedrading beveiligd zijn en niet kunnen worden beschadigd.
- Plaats tapse schroeven zodanig dat de kop van de schroef niet in aanraking met draden komt. Dit is belangrijk en voorkomt dat draden door trillingen van het voertuig door worden gesneden met brand tot gevolg.
- Laat de versterker **IN GEEN GEVAL** in contact komen met vloeistoffen, bijvoorbeeld als gevolg van de opstelling van de versterker. Dit kan leiden tot elektrische schokken. De versterker en luidsprekers kunnen ook beschadigd raken, rook produceren en oververhit raken door contact met vloeistoffen. Daarbij kan het oppervlak van de versterker en het oppervlak van aangesloten luidsprekers heet worden, hetgeen kan leiden tot lichte brandwonden.
- Gebruik de bijgeleverde onderdelen op de manier die is beschreven om de installatie uit te voeren zoals het hoort. Als andere onderdelen dan diegene die zijn bijgeleverd worden gebruikt, is het mogelijk dat inwendige onderdelen van de versterker schade oplopen of loskomen, zodat de versterker niet meer werkt.
- Vervang de zekering in geen geval door één met een hoger vermogen of hogere waarde dan de originele. Gebruik van een verkeerde zekering kan leiden tot oververhitting en rookontwikkeling en tot beschadiging van het product en letsel, bijvoorbeeld brandwonden.

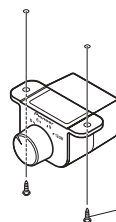
## WAARSCHUWING

### Om slechte werking en/of letsel te voorkomen

- Zorg dat de ventilatie van de versterker niet wordt gehinderd, en let derhalve op de volgende punten tijdens het installeren.
  - Zorg dat er voor een goede vrije ruimte boven de versterker is.
  - Bedek de versterker niet met een vloermat of kleed.
- Laat de versterker **IN GEEN GEVAL** in contact komen met vloeistoffen, bijvoorbeeld als gevolg van de opstelling van de versterker. Dit kan leiden tot elektrische schokken. De versterker en luidsprekers kunnen ook beschadigd raken, rook produceren en oververhit raken door contact met vloeistoffen. Daarbij kan het oppervlak van de versterker en het oppervlak van aangesloten luidsprekers heet worden, hetgeen kan leiden tot lichte brandwonden.
- Installeer de versterker niet op onstabiele plaatsen, zoals op de reservebandhouder.
- De beste installatieplaats is verschillend afhankelijk van het automerk en model en uw wensen. Plaats de versterker echter beslist stevig op een stabiele plaats.
- Maak eerst voorlopige aansluitingen en ga na of de versterker en het systeem naar behoren werken.
- Na het installeren van de versterker, moet u controleren dat het reservewiel, de krik en het gereedschap nog gemakkelijk kunnen worden verwijderd.

## Bevestigen van de Bass Boost afstandsbediening

Bevestig deze met zelftappende schroeven (3 mm × 10 mm) op een gemakkelijk toegankelijke plek, bijvoorbeeld onder het dashboard.

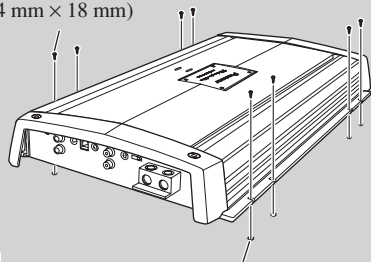


Zelftappende schroef  
(3 mm × 10 mm)

## Voorbeeld van installatie op de vloermat of op het chassis

1. Zet de versterker op de plaats waar hij moet worden geïnstalleerd. Steek de bijgeleverde tapschroeven (4 mm × 18 mm) in de schroefgaten. Druk met een schroevendraaier op de schroeven zodat ze een inkeping maken op de plaats waar de gaten voor de installatie moeten komen.
2. Boor gaten met een diameter van 2,5 mm op de plaatsen die zijn gemerkt en installeer de versterker, ofwel op de vloermat ofwel rechtstreeks op het chassis.

Zelftappende schroef  
(4 mm × 18 mm)

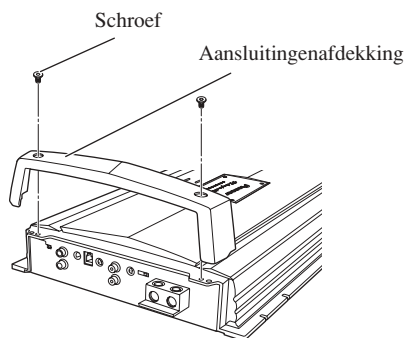


Vloermat of chassis

Boor een gat met een diameter van 2,5 mm

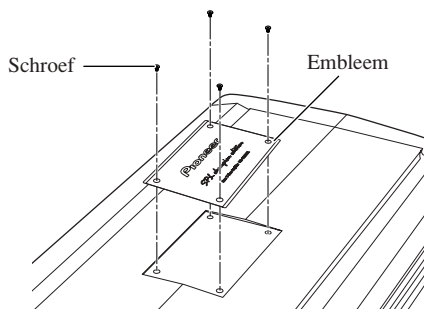
## Terugzetten van de aansluitingenafdekking

1. Pas de aansluitingenafdekking netjes op het toestel en doe de schroeven terug.
2. Draai de schroeven vast met een inbussleutel van 4 mm.



## Omdraaien van het embleem

1. Om het embleem te verwijderen, dient u de schroefjes los te draaien met behulp van een inbussleutel van 2 mm.
2. Draai het embleem om en zet vervolgens de schroefjes weer vast met de inbussleutel.



### Oplossen van problemen

---

De volgende indicators lichten eventjes op zodra de versterker wordt ingeschakeld. Dit wijst niet op een storing.

#### **HEAT indicator**

- Deze indicator licht geel op wanneer de temperatuur in het binnenwerk van de versterker te hoog oploopt. Wanneer dit gebeurt dient u het gebruik van de versterker onmiddellijk te staken en dient u de plek waar de versterker is geïnstalleerd te controleren (zie de "WAARSCHUWING" op bladzijde 2). Neem contact op met uw dealer als u het probleem niet kunt corrigeren.

#### **PROTECT indicator**

- Deze indicator gaat rood knipperen of branden wanneer er zich een bepaald probleem heeft voorgedaan met de versterker. Wanneer dit gebeurt dient u het gebruik van de versterker onmiddellijk te staken en dient u de bedrading te controleren (zie de "WAARSCHUWING" op bladzijde 2). Neem contact op met uw dealer als u het probleem niet kunt corrigeren.

## Technische gegevens

Spanningsbron .....	14,4 V gelijkstroom (10,8 V t/m 15,1 V toelaatbaar)
Aarding .....	Negatieve klem aan massa
Stroomverbruik .....	67 A (met continu spanning, 4 $\Omega$ )
Gemiddeld stroomverbruik* .....	18 A (4 $\Omega$ voor een kanaal) 38 A (2 $\Omega$ voor een kanaal) 55 A (1 $\Omega$ voor een kanaal)
Zekering .....	40 A $\times$ 6
Afmetingen .....	586 (B) $\times$ 65 (H) $\times$ 282 (D) mm
Gewicht .....	9,1 kg (Excl. bedrading)
Maximale spanningsuitvoer .....	1 500 W $\times$ 1 (4 $\Omega$ ) / 3 000 W $\times$ 1 (2 $\Omega$ ) / 4 000 W $\times$ 1 (1 $\Omega$ )
Continu vermogen (14,4 V) .....	4 $\Omega$ , 20 Hz t/m 240 Hz, $\leq$ 1,0 % THV, 750 W $\times$ 1 2 $\Omega$ , 50 Hz, $\leq$ 1,0 % THV, 1 500 W $\times$ 1 1 $\Omega$ , 50 Hz, $\leq$ 1,0 % THV, 2 000 W $\times$ 1
Belastingimpedantie .....	4 $\Omega$ (1 $\Omega$ t/m 8 $\Omega$ toelaatbaar)
Frequentieweergave .....	10 Hz t/m 240 Hz (+0 dB, -3 dB)
S/R verhouding .....	85 dB (IEC-A netwerk)
Vervorming .....	0,3% (10 W / 4 $\Omega$ , 100 Hz)
Laag-doorlaatfilter .....	Afsnijfrequentie: 40 Hz t/m 240 Hz Afsnijf-helling: -24 dB/oct.
Subsonisch filter (HPF) .....	Frequentie: 20 Hz Helling: -24 dB/oct.
Extra versterking lage tonen .....	Frequentie: 40 Hz t/m 120 Hz Niveau: 0 / 6 / 9 / 12 dB
Versterkingsregeling .....	RCA: 400 mV t/m 6,5 V
Maximale ingangsniveau /-impedantie .....	RCA: 6,5 V / 22 k $\Omega$

### Opmerking:

- Technische gegevens en ontwerp zijn ter productverbetering zonder voorafgaande kennisgeving wijzigbaar.

### \*Gemiddeld stroomverbruik

- Het gemiddelde stroomverbruik is zo goed als gelijk aan het maximale stroomverbruik van dit toestel bij ontvangst van een audiosignaal. Gebruik deze waarde bij het uitrekenen van het totale stroomverbruik van meerdere vermogensversterkers.

<b>Инструкции перед началом эксплуатации данного устройства ....</b>	<b>1</b>
Регистрация изделия .....	2
Действия в случае возникновения проблем .....	2
Информация о данном устройстве .....	2
<b>ОСТОРОЖНО!</b> .....	2
<b>ПРЕДУПРЕЖДЕНИЕ</b> .....	2
<b>Настройка устройства .....</b>	<b>3</b>
Переключатель ВЫБОР РЕЖИМА .....	3
Регулирование частоты подъема низких частот .....	3
Регулирование уровня подъема низких частот .....	3
Крышка .....	3
Контроль предельной частоты для LPF (фильтра нижних частот) .....	3
Регулирование усиления .....	4
Переключатель BFC (переключатель частоты биения) .....	4
Индикатор ТЕПЛА .....	4
Индикатор ЗАЩИТЫ .....	4
Дозвуковой переключатель выбора .....	4
Регулирование Усиления должным образом .....	5
<b>Подключение устройства .....</b>	<b>6</b>
Схема соединений .....	7
Соединения беспаячных клемм .....	8
Соединение выходных зажимов динамика .....	8
Соединение клеммы источника питания .....	9
Регулирование Усиления для синхронизованного усилителя .....	10
Соединение проводов динамиков .....	10
<b>Установка .....</b>	<b>15</b>
Присоединение регулятора дистанционного управления подъема нижних частот .....	15
Пример установки усилителя на коврике или на раме автомобиля .....	16
Возвращение крышки на место .....	16
Изменение Направления Эмблемы .....	16
<b>Дополнительная информация .....</b>	<b>17</b>
Выявление неисправностей .....	17
<b>Спецификации .....</b>	<b>18</b>

Благодарим вас за покупку данного устройства фирмы PIONEER. Прежде чем начать эксплуатацию данного устройства, обязательно ознакомьтесь с настоящим руководством.



Если вы желаете утилизировать данное изделие, не выбрасывайте его вместе с обычным бытовым мусором. Существует отдельная система сбора использованных электронных изделий в соответствии с законодательством, которая предполагает соответствующее обращение, возврат и переработку.

Частные клиенты-в 25 странах-членах ЕС, в Швейцарии и Норвегии могут бесплатно возвращать использованные электронные изделия в соответствующие пункты сбора или дилеру (при покупке сходного нового изделия).

В странах, не перечисленных выше, для получения информации о правильных способах утилизации обращайтесь в соответствующие учреждения. Поступая таким образом, вы можете быть уверены в том, что утилизируемый продукт будет соответствующим образом обработан, передан в соответствующий пункт и переработан без возможных негативных последствий для окружающей среды и здоровья людей.

### Примечание:

В соответствии со статьей 5 закона Российской Федерации «О защите прав потребителей» и постановлением правительства Российской Федерации № 720 от 16.06.97 компания Pioneer Europe NV оговаривает следующий срок службы изделий, официально поставляемых на российский рынок. Автомобильная электроника: 6 лет Другие изделия (головные телефоны, микрофоны, и т.п.): 5 лет

## Регистрация изделия

Посетите наш сайт:



Зарегистрируйте приобретенное изделие. Мы сохраним сведения о Вашей покупке, что поможет Вам сослаться на эту информацию в случае страхового требования по причине потери или кражи.

## Действия в случае возникновения проблем

Если устройство не работает должным образом, свяжитесь с вашим дилером или ближайшей утвержденной станцией обслуживания продукции PIONEER.

## Информация о данном устройстве

Данное устройство представляет собой усилитель для низкочастотного динамика. Если подключить к RCA входу данного продукта и левый (L), и правый (R) канал, то выходной сигнал будет смешиваться, поскольку данный усилитель – монофонический.

## ОСТОРОЖНО!

- Никогда не заменяйте перегоревший предохранитель предохранителем с большим номиналом. Использование неподходящего предохранителя может привести к перегреву и выделению дыма. Это также может привести к повреждению устройства и травмам, в том числе ожогам.
- Используйте поставляемый шестиугольный гаечный ключ, чтобы затянуть винты, когда соединяете провода с клеммой или меняете направление эмблемы. Использование длинного, серийно выпускаемого шестиугольного гаечного ключа может стать причиной применения чрезмерного вращающего момента, возможно приводящего к повреждению клемм и проводов.

## ПРЕДУПРЕЖДЕНИЕ

- Всегда используйте рекомендованный электрический провод батареи и провод заземления, который продается отдельно. Подсоедините электрический провод батареи к положительной клемме (+) батареи автомобиля, а провод заземления к кузову автомобиля.
- При прикасайтесь к усилителю влажными руками, так как это может привести к поражению электрическим током. Также не следует дотрагиваться до усилителя, если на него попала какая-либо жидкость.
- Для обеспечения безопасности движения и безопасных условий вождения установите такой уровень громкости, при котором вам будет слышен обычный шум дорожного движения.
- Если перегорит предохранитель отдельно продаваемого провода батареи или предохранитель усилителя, проверьте соединения источника питания и динамиков. Определите и устраните причину, затем замените предохранитель новым предохранителем такого же размера и номинала.
- Чтобы избежать неправильной работы усилителя и низкочастотного динамика, при возникновении нестандартного условия, защитная цепь отключит электропитание усилителя (звук отключится). В таком случае, отключите электропитание системы и проверьте соединение источника электропитания и низкочастотного динамика. Найдите причину и устраните проблему.
- Свяжитесь с дилером, если вы не можете определить причину неисправности.
- Во избежание поражения электрическим током или короткого замыкания во время подключения и установки перед выполнением работ следует обязательно отсоединить отрицательную (-) клемму батареи.
- При просверливании отверстий для установки усилителя убедитесь в том, что за панелью не расположены какие-либо детали. Обязательно защитите от возможных повреждений все кабели и важное оборудование, например трубки топливной и тормозной систем и электропроводку.
- НЕ УСТАНАВЛИВАЙТЕ усилитель в таких местах, где на него могут попадать какие-либо жидкости, так как это может привести к поражению электрическим током. Кроме того, контакт с жидкостью может привести к повреждению усилителя и динамиков, выделению дыма и перегреву. При этом поверхность усилителя и подключенных к нему динамиков может нагреться и прикосновение к ней может привести к незначительным ожогам.

## Переключатель ВЫБОР РЕЖИМА

Вы можете выбрать синхронный режим усилителя из MASTER, SYNC или SYNC INV. Установите переключатель MODE SELECT в позицию, когда используется только один усилитель. Когда используется одновременное соединение двух или более усилителей в комбинированное устройство, установите первый усилитель на MASTER, а оставшиеся усилители на SYNC или SYNC INV в соответствии с методом по которому они соединены. Усилитель переключается на режим SYNC INV только во время, когда усилители одновременно соединены с мостовым соединением. Когда подключаетесь к режиму SYNC или SYNC INV, удалите винт и стопор. Удалите винт и стопор после проверки правильности соединений. Для подробностей о переключателе MODE SELECT смотрите раздел “Соединение проводов динамиков”.

## Регулирование частоты подъема низких частот

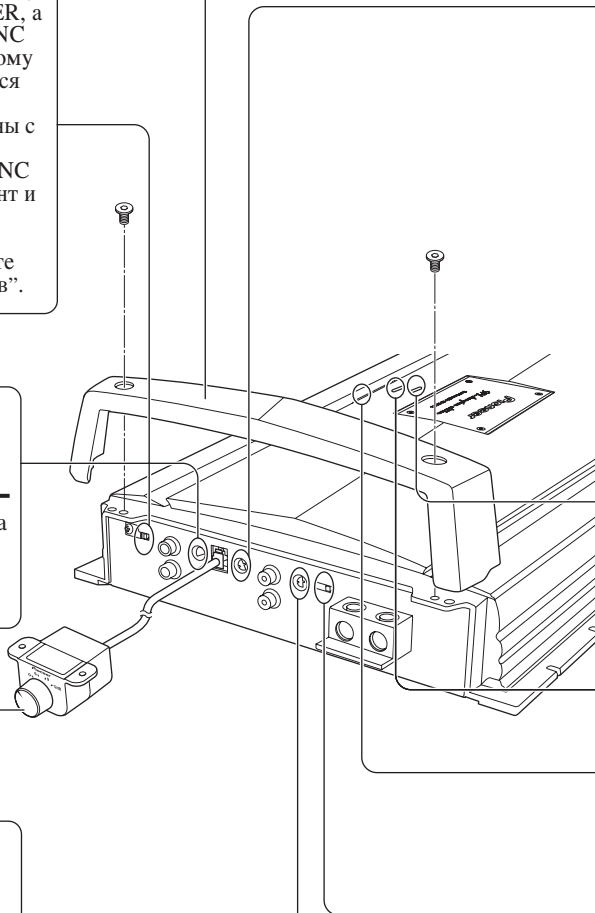
Вы можете выбрать частоту подъема низких частот от 40 Гц до 120 Гц с помощью регулирования подъема низких частот.

## Регулирование уровня подъема низких частот

Предусматривается возможность выбора уровня подъема низких частот -0, 6, 9 или 12 дБ. Инструкции по подключению устройства для дистанционного управления подъемом низких частот к усилителю приведены в разделе “Схема соединений”.

## Крышка

Перед установкой устройства, открепите винты с помощью 4 мм шестиугольного гаечного ключа и снимите крышку.



## Контроль предельной частоты для LPF (фильтра нижних частот)

Вы можете выбрать контроль предельной частоты от 40 Гц до 240 Гц.



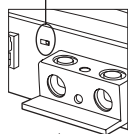
## Регулирование усиления

Если даже при прибавлении громкости автомобильной магнитолы, использующейся с данным усилителем мощности, уровень звука остается низким, поверните по часовой стрелке регулятор усиления. Если при прибавлении громкости происходит искажение звука, поверните регулятор усиления против часовой стрелки.

- При использовании магнитолы с разъемами RCA (стандартный выходной сигнал 500 мВ), установите эти регуляторы в положение NORMAL. При использовании автомобильной магнитолы Pioneer с разъемами RCA с максимальным выходным сигналом 4 В или выше, отрегулируйте уровень в соответствии с уровнем выходного сигнала автомобильной магнитолы.
- Для управления усилением синхронизированного усилителя смотрите раздел “Регулирование Усиления для синхронизированного усилителя”.

## Переключатель ВFC (переключатель частоты биения)

Если при прослушивании на вашей автомобильной магнитоле сигнала радиостанции диапазона средних / длинных волн слышится биение, измените положение переключателя ВFC при помощи стандартной отвертки.



## Индикатор ТЕПЛА (Желтый)

Указывает на проблему с усилителем. Более детально смотрите раздел “Выявление неисправностей” на странице 17.

## Индикатор ЗАЩИТЫ (Красный)

Указывает на проблему с усилителем. Более детально смотрите раздел “Выявление неисправностей” на странице 17.

## Индикатор питания (Синий)

Индикатор питания загорается при подаче электропитания.

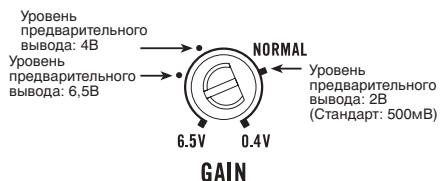
## Дозвуковой переключатель выбора

Дозвуковой фильтр пропускает неслышимые частоты ниже 20 Гц, чтобы устранить нежелательные колебания и уменьшить потери мощности.

## Регулирование Усиления должным образом

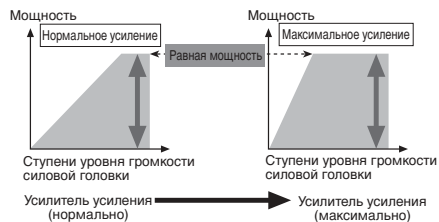
- Этот прибор оборудован защитной функцией, не допустить сбой в работе самого прибора и динамиков от слишком большого количества вывода, неправильного использования или неподходящей связи.
- Когда звуковой вывод в большом объеме и т.д., эта функция отключает звуковой вывод через несколько секунд. Но это не сбой в работе. Когда Вы уменьшите уровень громкости силовой головки, звуковой вывод будет восстановлен.
- Когда звуковой вывод отключен, контроль усиления этого прибора может быть неправильно установлен. Для обеспечения увеличения объема непрерывного звукового вывода силовой головки установите контроль усиления усилителя в подходящую позицию соответственно с максимальным выходным уровнем предварительного вывода силовой головки.

## Контроль усиления данного прибора



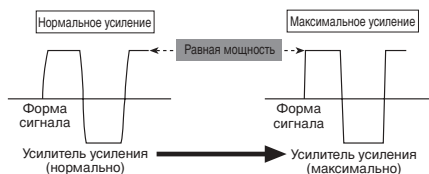
Нет необходимости уменьшать уровень громкости силовой головки, а слишком высокий вывод может быть проконтролирован.

## Отношение между усилением усилителя и выходной мощностью силовой головки



- Если Вы повысите усиление усилителя на неправильный уровень, увеличится только искажение, а мощность увеличится незначительно.

## Форма сигнала, когда выводится высокий уровень громкости контролем усиления усилителя



- С высоким выходом форма сигнала искажается, если Вы повысите усиление усилителя, то мощность изменится незначительно.
- Хотя Вы уменьшаете уровень громкости силовой головки и устанавливаете контроль усиления усилителя в подходящую позицию, а звук время от времени пропадает, пожалуйста, свяжитесь с ближайшей авторизированной PIONEER STATION.

## ОСТОРОЖНО!

- Отсоедините отрицательную (-) клемму батареи, чтобы не допустить короткого замыкания и повреждения устройства.
- Закрепите провода кабельными зажимами или липкой лентой. Для защиты проводов следует обмотать их липкой лентой в тех местах, где они соприкасаются с металлическими частями.
- Не располагайте провода в местах, подверженных воздействию высокой температуры, например в таком месте, где на них может действовать нагретый воздух из обогревателя. Нагревание может привести к повреждению изоляции, в результате чего может произойти короткое замыкание на корпус автомобиля.
- Усилитель увеличивает нагрузку на батарею и систему зарядки. Удостоверьтесь, что генератор переменного тока и батарея транспортного средства имеют достаточную емкость для этого усилителя. Рекомендуется использовать сверхмощную батарею, параллельное соединение обычных батарей или аккумулирующий энергию конденсатор.
- Убедитесь в том, что провода не мешают двигающимся частям автомобиля, например, рычагу переключения коробки передач, ручному тормозу или механизму передвижения сидений.
- Не укорачивайте какие-либо провода. При укорачивании провода цепь защиты может не сработать в нужный момент.
- Никогда не подавайте электропитание на другое оборудование посредством снятия изоляции провода, по которому подается электропитание, и подключения к этому проводу. Пропускная способность провода по току будет превышена, что приведет к перегреву.
- Никогда не заменяйте перегоревший предохранитель предохранителем с большим номиналом. Использование неподходящего предохранителя может привести к перегреву и выделению дыма. Это также может привести к повреждению устройства и травмам, в том числе ожогам.

## ОСТОРОЖНО!

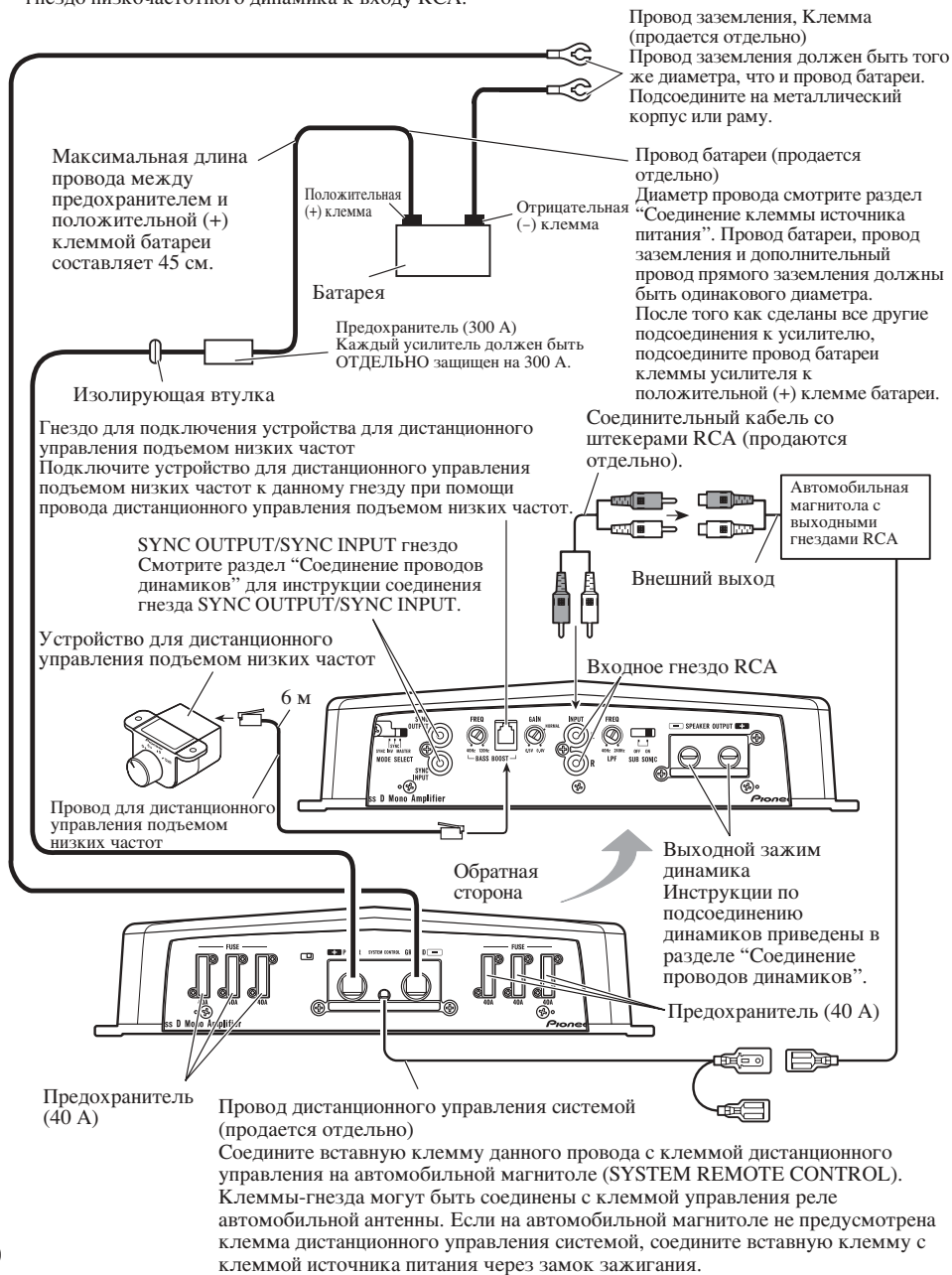
### Инструкции по предупреждению повреждений и/или травм

- Никогда не заземляйте провод динамика непосредственно и не подключайте отрицательный (-) провод к нескольким динамикам.
- Данное устройство предназначено для автомобилей с батареей 12 вольт и отрицательным заземлением. Перед установкой устройства в транспортном средстве для отдыха, грузовом автомобиле или автобусе необходимо проверить напряжение батареи.
- Батарея может разрядиться, если автомобильная магнитола продолжает работать в течение долгого времени при отключенном или работающем в холостом режиме двигателе. Не включайте автомобильную магнитола, если двигатель отключен или работает в холостом режиме.
- Если провод усилителя для дистанционного управления системой соединен с клеммой источника питания через замок зажигания (12 В постоянного тока), усилитель всегда будет включаться при включении зажигания, независимо от того, включена автомобильная магнитола или нет. Поэтому батарея может разрядиться, если двигатель отключен или работает в холостом режиме.
- НЕ ПОДСОЕДИНЯЙТЕ низкочастотный динамик с полным сопротивлением ниже, чем указано в разделе “Соединение проводов динамиков”. Повреждение усилителя, дым и перегрев могут быть причиной неправильного соединения. Поверхность усилителя также может нагреться на ощупь и в результате может произойти незначительный ожог.
- Подсоедините какой-либо из трех низкочастотных динамиков к усилителю; 1: низкочастотный динамик с номиналом на входе 750 Вт или больше и с полным сопротивлением 4 Ω, 2: низкочастотный динамик с номиналом на входе 1 500 Вт или больше и с полным сопротивлением 2 Ω или 3: низкочастотный динамик с номиналом на входе 2 000 Вт или больше и с полным сопротивлением 1 Ω. Если номинал на входе и полное сопротивление выходят за пределы указанного диапазона, то низкочастотный динамик может загореться, выделять дым и сломаться.
- Отдельно продаваемый провод батареи следует разместить как можно дальше от проводов динамиков. Отдельно продаваемый провод батареи, провод заземления, провода динамиков и усилитель следует разместить как можно дальше от антенны, кабеля антенны и тонера.
- Кабели данного устройства и других устройств могут быть разного цвета, несмотря на то что, они выполняют одинаковые функции. При соединении данного устройства с другим устройством, ознакомьтесь с инструкциями каждого устройства и соедините кабели, выполняющие одинаковые функции.

# Подключение устройства

## Схема соединений

- В случае подсоединения внешнего выхода автомагнитолы к входу RCA, используют гнездо, используемое для выхода полного диапазона. Это делается, потому что фильтр нижних частот не может быть выключен. Если это гнездо не может быть использовано, подсоедините выходное гнездо низкочастотного динамика к входу RCA.



## Соединения беспаячных клемм

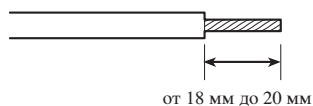
- Так как провода разъединяются со временем, их необходимо периодически проверять и затягивать по необходимости.
- Не спайвайте или скручивайте концы переплетенных проводов.
- Закрепляйте, пока не удостоверитесь, что скрепили изоляционное покрытие провода.
- Используйте вспомогательный шестигранный гаечный ключ, чтобы затягивать и ослаблять присоединительный винт усилителя. Надежно прикрепите провод с присоединительным винтом. Однако, так как чрезмерное затягивание присоединительного винта Системы дистанционного управления имеет риск повреждения провода, будьте осторожны, не затягивайте чрезмерно, наблюдая состояние провода, когда затягиваете.

## Соединение выходных зажимов динамика

### Сечение провода динамика

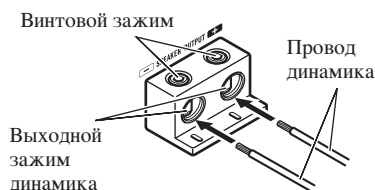
Длина провода	меньше чем 4,3 м	меньше чем 6,4 м	меньше чем 10,7 м
Диаметр провода	8 AWG	6 AWG	4 AWG

1. Оголите конец провода динамика, используя кусачки или лезвие, примерно от 18 мм до 20 мм.



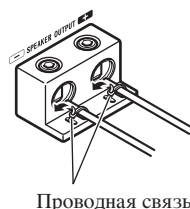
2. Подсоедините провода динамиков к выходным зажимам динамиков.

- Надежно закрепите провода динамиков в винтовых зажимах.



3. Положите проводные связи в прорезь и оберните проводные связи вокруг проводов.

- Оберните проводную связь вокруг изоляции провода, не оголяя провод.
- Отрежьте лишнюю часть проводной связи.



## Соединение клеммы источника питания

- Всегда используйте рекомендованные батарею и провод заземления, которые продаются отдельно. Подсоедините электрический провод батареи прямо к положительной клемме (+) батареи автомобиля, а провод заземления к кузову автомобиля.
- Рекомендованные диаметры проводов (AWG): Американский калибр проводов) следующие. Провод батареи, провод заземления и дополнительный провод прямого заземления должны быть одинакового диаметра.
- Используйте провод сечением от 10 AWG до 20 AWG для провода системы дистанционного управления.

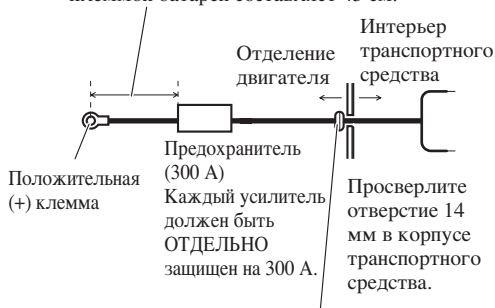
Диаметр Провода Батареи и Провода Заземления

Длина провода	меньше чем 2,1 м	меньше чем 3,6 м	меньше чем 5,2 м	меньше чем 6,4 м
Диаметр провода	4 AWG	2 AWG	1 AWG	0 AWG

### 1. Проведите провод батареи из моторного отсека в салон автомобиля.

- Выполнив все остальные соединения на усилителе, соедините клемму провода батареи на усилителе с положительной (+) клеммой батареи.

Максимальная длина провода между предохранителем и положительной (+) клеммой батареи составляет 45 см.



Вставьте уплотнительное резиновое кольцо в корпус транспортного средства.

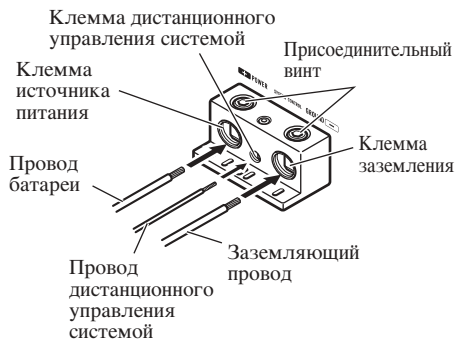
### 2. Оголите концы проводов, используя кусачки или лезвие.

- Провод батареи, провод заземления: 23 мм до 25 мм
- Провод системы дистанционного управления: 14 мм до 16 мм



### 3. Подсоедините провода к клеммам.

- Надежно закрепите провода в винтовых зажимах.

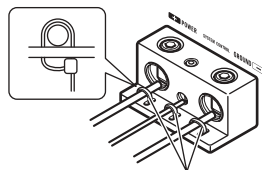


### ⚠ ПРЕДУПРЕЖДЕНИЕ

Неплотное закрепление провода батареи в винтовом зажиме клеммы может вызвать перегрев той части устройства, в которой установлены клеммы, что может привести к повреждению устройства и травмам, в том числе незначительным ожогам.

### 4. Положите проводные связи в прорезь и оберните проводные связи вокруг проводов.

- Оберните проводную связь вокруг изоляции провода, не оголяя провод.
- Отрежьте лишнюю часть проводной связи.



Проводная связь

## Регулирование Усиления для синхронизованного усилителя

---

После подсоединения проводов динамиков, настройте регулировку усиления каждого синхронизованного усилителя. Все синхронизованные усилители поддерживают настройки управляющего усилителя.

### Быстрая Установка Усиления

Установите регулировку усиления каждого синхронизованного усилителя в положение NORMAL. Эта установка сбалансирует выходной сигнал громкости в достаточной мере для частых применений.

### Предварительная Установка Усиления

Начиная с управляющего усилителя, настройте регулировку усиления на каждом усилителе должным образом.

1. Выпускайте синусоидальную волну через данную систему при низком уровне выходного сигнала.
2. Используйте вольтметр для измерения уровня выходного напряжения управляющего усилителя.
3. Используйте вольтметр для измерения уровня выходного напряжения синхронизованного усилителя.
4. Подгоните выходной сигнал синхронизованного усилителя к выходному сигналу управляющего усилителя, используя регулировку усиления на синхронизованном усилителе.
5. Повторите для каждого синхронизованного усилителя в надлежащем порядке.

## Соединение проводов динамиков

---

Соедините подводящие провода динамика и установите переключатель MODE SELECT так, чтобы соответствовал конфигурации согласно рисункам, показанным ниже на следующей странице.

- Когда одновременно соединяются два или более усилителей в комбинированное устройство, используйте только эти усилители. Не смешивайте эти усилители с другими усилителями.
- Когда одновременно соединяются два или более усилителей в комбинированное устройство, установите регулятор усиления, дозвуковой выбор переключателя, предельную частоту для фильтра нижних частот и контроль подъема частотной характеристики в области нижних частот на усилителе так, чтобы переключатель MODE SELECT был установлен на MASTER. Эти установки, за исключением регулировки усиления, бездействуют на усилителе, который был настроен на SYNC или SYNC INV. Более детально, касательно работы регулировки усиления, смотрите раздел “Регулирование Усиления для синхронизованного усилителя”.

## **!** ОСТОРОЖНО!

Схема А –  
Правильное подключение

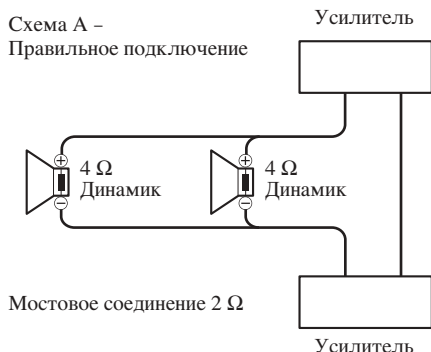
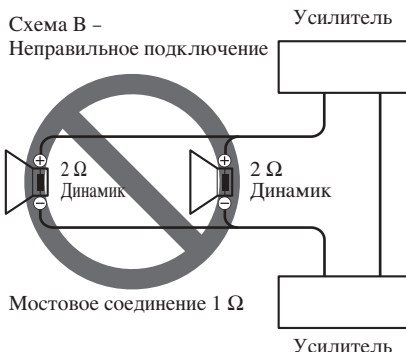


Схема В –  
Неправильное подключение



Не собирайте или не используйте данный усилитель электропроводкой динамиков с номиналом 2  $\Omega$  (или ниже) в параллель для получения мостового соединения 1  $\Omega$  (или ниже) (Схема В).

Неправильное мостовое соединение может привести к повреждению усилителя, выделению дыма и перегреву. Кроме того, поверхность усилителя может нагреться, и прикосновение к ней может привести к незначительным ожогам.

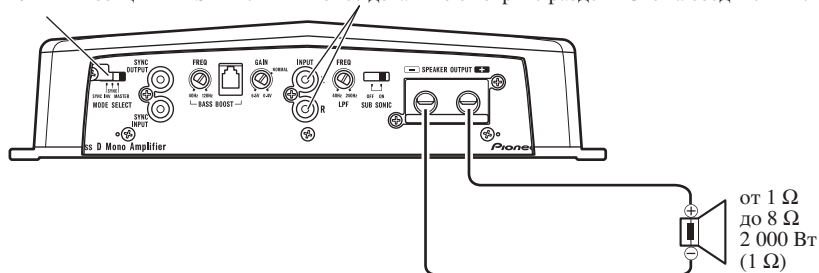
Чтобы правильно собрать или использовать мостовое соединение и получить нагрузку 2  $\Omega$ , подключите два 4  $\Omega$  динамика в параллель с ЛЕВЫМ + и ПРАВЫМ - (Схема А) или используйте одиночный 2  $\Omega$  динамик.

В дополнение, обратитесь к технологической инструкции динамика по правильной процедуре соединения.

## Одиночный усилитель

Переключатель MODE SELECT должен быть в позиции MASTER.

Подсоедините к автомагнитоле. Более детально смотрите раздел “Схема соединений”.



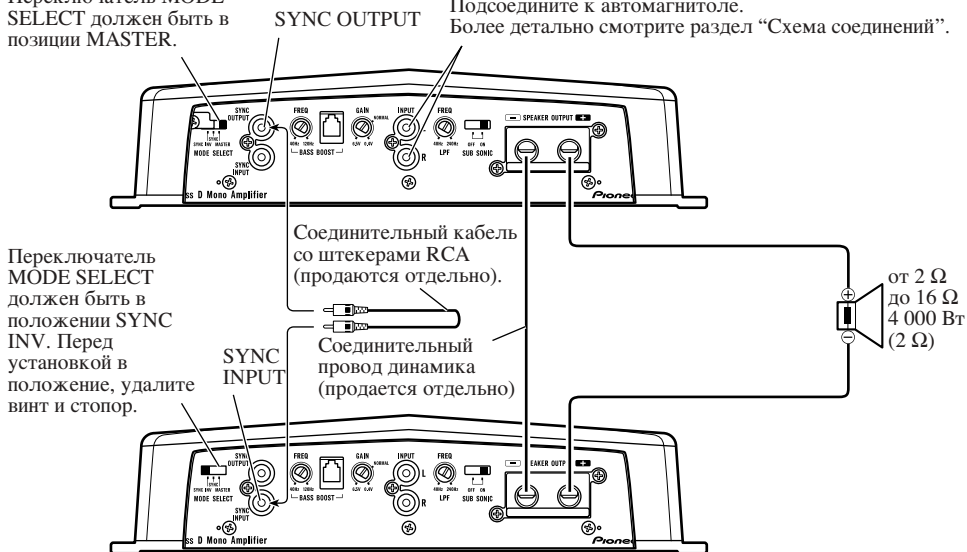
- Используйте динамики, имеющие полное сопротивление от 1  $\Omega$  до 8  $\Omega$ .



## Два усилителя (Мостовое соединение)

Переключатель MODE SELECT должен быть в позиции MASTER.

Подсоедините к автомагнитоле. Более детально смотрите раздел “Схема соединений”.



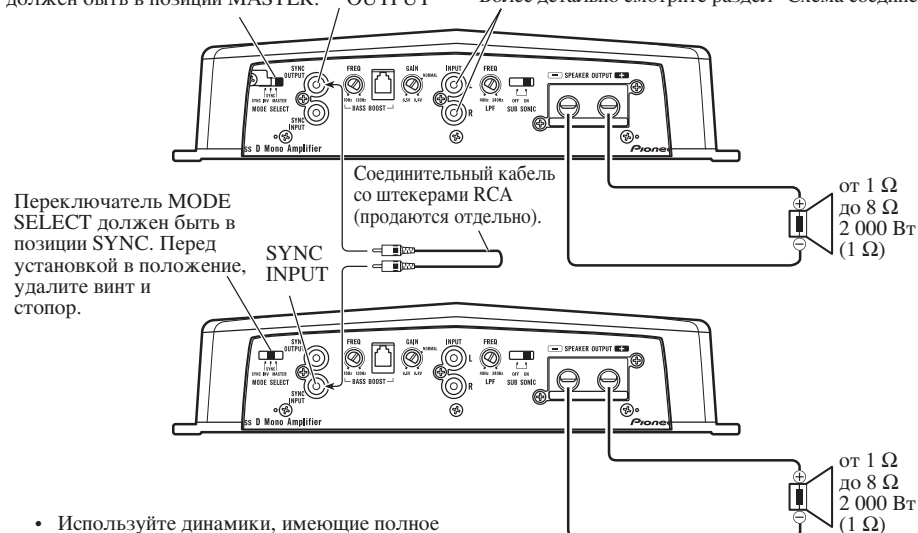
- Используйте только динамики, имеющие полное сопротивление от 2  $\Omega$  до 16  $\Omega$ . В дополнение, в случае соединения множества динамиков в мостовое соединение, проверьте чтобы комплексное полное сопротивление было по крайней мере 2  $\Omega$ .

## Два усилителя

Переключатель MODE SELECT должен быть в позиции MASTER.

SYNC OUTPUT

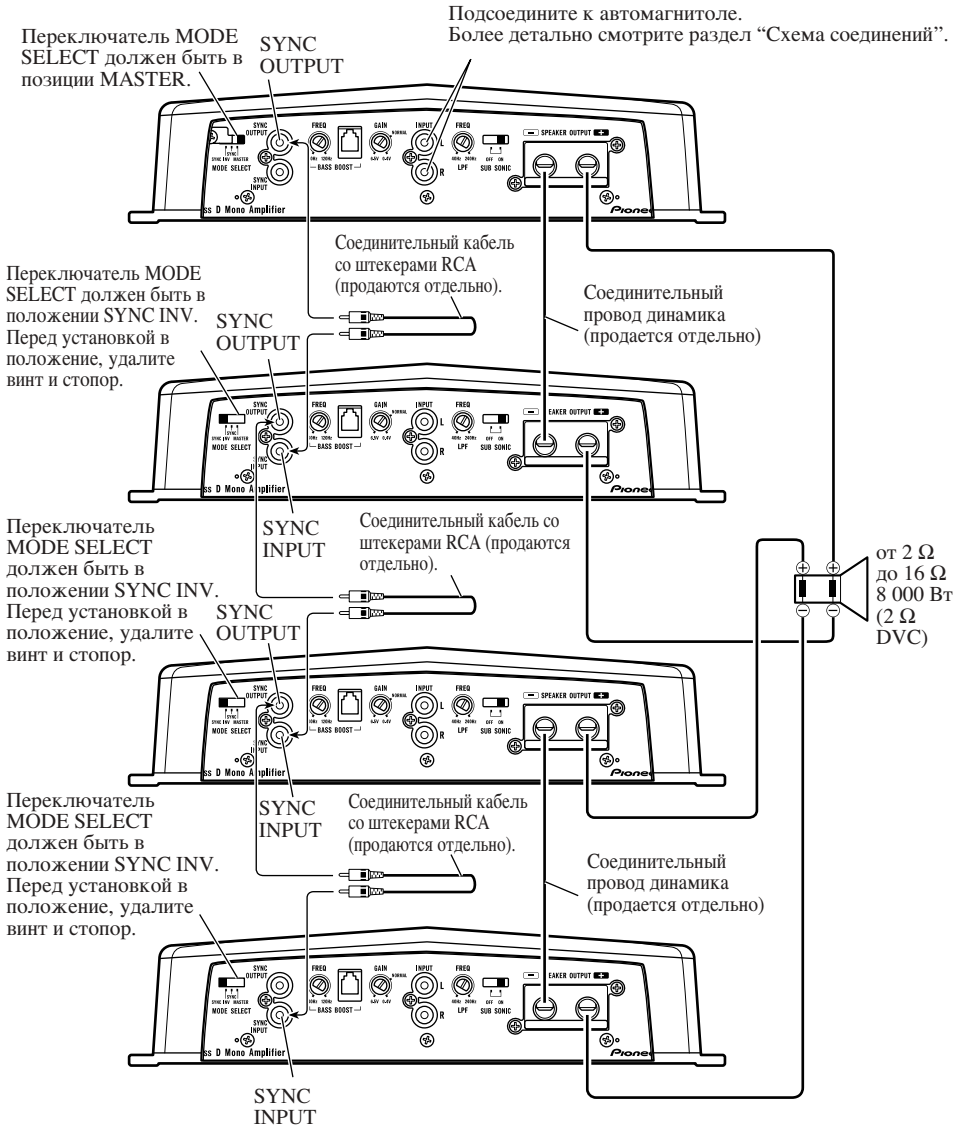
Подсоедините к автомагнитоле. Более детально смотрите раздел “Схема соединений”.



- Используйте динамики, имеющие полное сопротивление от 1  $\Omega$  до 8  $\Omega$ .

# Подключение устройства

## Четыре усилителя (Мостовое соединение)

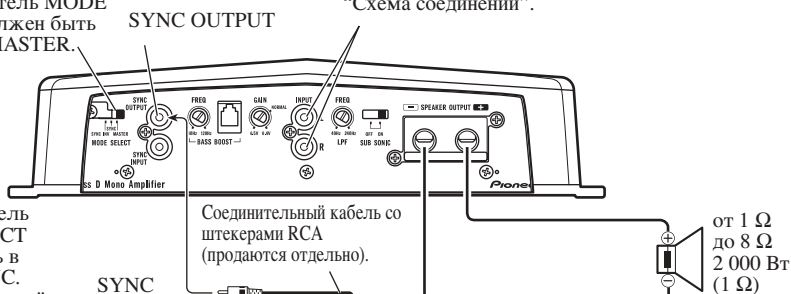


- Используйте только динамики, имеющие полное сопротивление от 2 Ω до 16 Ω. В дополнение, в случае соединения множества динамиков в мостовое соединение, проверьте чтобы комплексное полное сопротивление было по крайней мере 2 Ω.

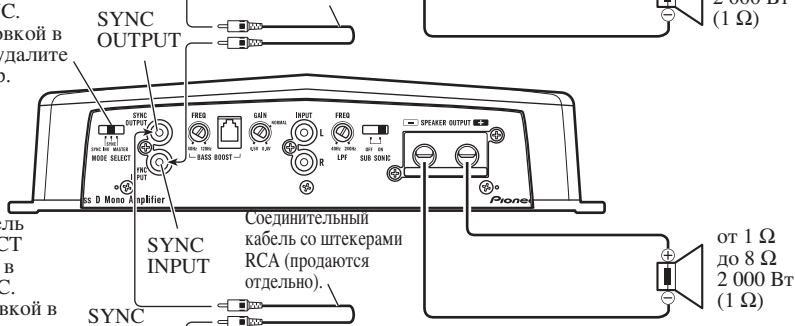
## Четыре усилителя

Переключатель MODE SELECT должен быть в позиции MASTER.

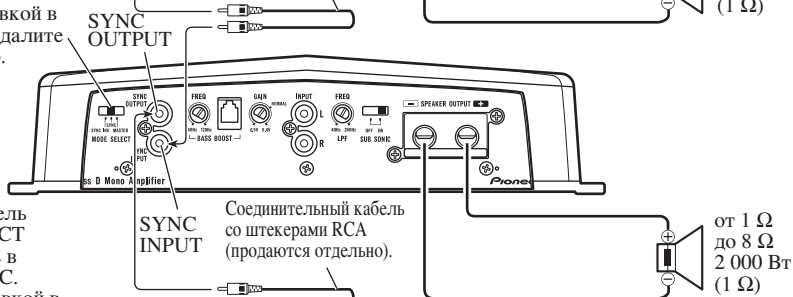
Подсоедините к автомагнитоле. Более детально смотрите раздел "Схема соединений".



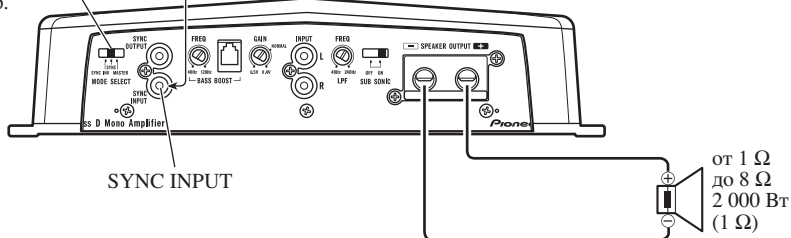
Переключатель MODE SELECT должен быть в позиции SYNC. Перед установкой в положение, удалите винт и стопор.



Переключатель MODE SELECT должен быть в позиции SYNC. Перед установкой в положение, удалите винт и стопор.



Переключатель MODE SELECT должен быть в позиции SYNC. Перед установкой в положение, удалите винт и стопор.



- Используйте динамики, имеющие полное сопротивление от 1 Ω до 8 Ω.

## ⚠ ОСТОРОЖНО!

- При установке устройства необходимо выполнять следующие требования:
  - Не устанавливайте устройство в местах, где оно может травмировать водителя или пассажиров в случае резкого торможения.
  - Не устанавливайте устройство в таких местах, где оно может мешать водителю, например на полу перед сиденьем водителя.
- Провода не должны попадать в механизм передвижения сидений, так как это может привести к короткому замыканию.
- При просверливании отверстий для установки усилителя убедитесь в том, что за панелью не расположены какие-либо детали. Защитите от возможных повреждений все кабели и важное оборудование, например трубки топливной и тормозной системы и электропроводку.
- Установите нарезные винты таким образом, чтобы острия винтов не прикасались к каким-либо проводам. Это требование имеет очень важное значение для предотвращения обрыва проводов в результате вибрации автомобиля. Подобный обрыв может привести к возникновению пожара.
- **НЕ УСТАНАВЛИВАЙТЕ** усилитель в таких местах, где на него могут попадать какие-либо жидкости. Это может привести к поражению электрическим током. Кроме того, контакт с жидкостью может привести к повреждению усилителя и динамиков, выделению дыма и перегреву. При этом поверхность усилителя и подключенных к нему динамиков может нагреться и прикосновение к ней может привести к незначительным ожогам.
- Для правильной установки следует использовать компоненты, входящие в комплект поставки, в соответствии с приведенными инструкциями. В случае использования каких-либо компонентов, не входящих в комплект поставки, данные компоненты могут повредить внутренние части усилителя или отсоединиться, что приведет к отключению усилителя.
- **Никогда не заменяйте перегоревший предохранитель предохранителем с б́льшим номиналом.** Использование неподходящего предохранителя может привести к перегреву и выделению дыма. Это также может привести к повреждению устройства и травмам, в том числе ожогам.

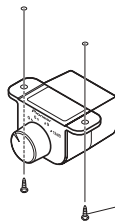
## ⚠ ОСТОРОЖНО!

### Инструкции по предупреждению сбоев в работе и/или травм

- Для того, чтобы обеспечить необходимое рассеивание тепла, генерируемого усилителем, во время установки обязательно выполните следующее:
  - Установите усилитель таким образом, чтобы над ним было достаточно открытого пространства для обеспечения адекватной вентиляции.
  - Не накрывайте усилитель настилом или коврикком.
- **НЕ УСТАНАВЛИВАЙТЕ** усилитель в таких местах, где на него могут попадать какие-либо жидкости. Это может привести к поражению электрическим током. Кроме того, контакт с жидкостью может привести к повреждению усилителя и динамиков, выделению дыма и перегреву. При этом поверхность усилителя и подключенных к нему динамиков может нагреться и прикосновение к ней может привести к незначительным ожогам.
- Не устанавливайте усилитель на нестабильных участках, как например на доске, прикрывающей запасное колесо.
- Лучшее место для установки усилителя зависит от модели автомобиля. Усилитель должен быть закреплен на достаточно устойчивом месте.
- Сначала подсоедините провода временно и убедитесь в том, что усилитель и система работают должным образом.
- Установив усилитель, убедитесь в том, что он не препятствует доступу к запасному колесу, домкрату и инструментам.

### Присоединение регулятора дистанционного управления подъема нижних частот

Присоедините с помощью самонарезающих винтов (3 мм × 10 мм) в легкодоступном месте, таком как под приборной панелью.

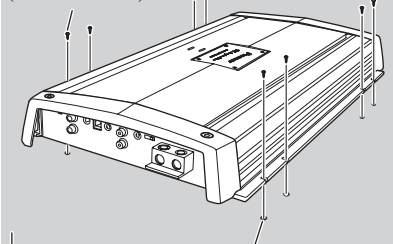


Самонарезающий винт (3 мм × 10 мм)

## Пример установки усилителя на коврике или на раме автомобиля

1. Положите усилитель на место установки. Вставьте нарезные винты (4 мм × 18 мм), входящие в комплект поставки, в отверстия для винтов. Надавите на нарезные винты отверткой, чтобы оставить метки в тех местах, где должны быть расположены отверстия.
2. Просверлите отверстия диаметром 2,5 мм в отмеченных точках и установите усилитель, либо на настиле, либо непосредственно на раме автомобиля.

Самонарезающий винт  
(4 мм × 18 мм)

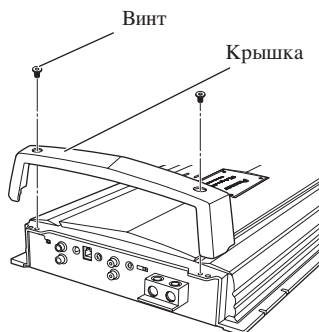


Коврик или рама  
автомобиля

Просверлите  
отверстие  
диаметром 2,5 мм

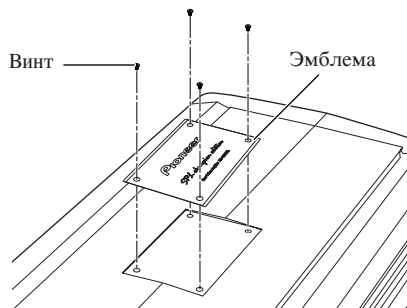
## Возвращение крышки на место

1. Выровняйте устройство с крышкой и вставьте винты.
2. Затяните винты с помощью 4 мм шестиугольного гаечного ключа.



## Изменение Направления Эмблемы

1. Удалите эмблему, ослабьте винты, используя 2 мм шестигранный гаечный ключ.
2. Измените направление эмблемы и затем затяните винты с помощью гаечного ключа.



### Выявление неисправностей

---

Следующие индикаторы загораются на мгновение, когда усилитель включен. Это не сбой в работе.

#### Индикатор ТЕПЛА

- Этот индикатор загорается желтым, когда температура усилителя находится в повышенных пределах. Когда это происходит, немедленно прекратите использование усилителя и проверьте место, где установлен усилитель (смотри раздел “ПРЕДУПРЕЖДЕНИЕ” на 2 странице). Свяжитесь с вашим дилером, если проблема не устраняется.

#### Индикатор ЗАЩИТЫ

- Этот индикатор либо мигает, либо загорается красным, когда в усилителе происходят некоторые проблемы. Когда это происходит, немедленно прекратите использование усилителя и проверьте место, где установлен усилитель (смотри раздел “ПРЕДУПРЕЖДЕНИЕ” на 2 странице). Свяжитесь с вашим дилером, если проблема не устраняется.

Источник питания .....	14,4 В пост. ток (10,8 В до 15,1 В допустимый)
Система заземления .....	Отрицательный тип
Расход тока .....	67 А (при длительной мощности, 4 Ω)
Среднее потребление тока* .....	18 А (4 Ω для одного канала) 38 А (2 Ω для одного канала) 55 А (1 Ω для одного канала)
Предохранитель .....	40 А × 6
Размеры .....	586 (Ш) × 65 (В) × 282 (Г) мм
Вес .....	9,1 кг (провода для электропроводки не включены)
Максимальный выход мощности .....	1 500 Вт × 1 (4 Ω) / 3 000 Вт × 1 (2 Ω) / 4 000 Вт × 1 (1 Ω)
Длительная мощность (14,4 В) .....	4 Ω, 20 Гц до 240 Гц, ≤ 1,0 % THD, 750 Вт × 1 2 Ω, 50 Гц, ≤ 1,0 % THD, 1 500 Вт × 1 1 Ω, 50 Гц, ≤ 1,0 % THD, 2 000 Вт × 1
Полное сопротивление нагрузки .....	4 Ω (1 Ω до 8 Ω допустимый)
Частотная характеристика .....	10 Гц до 240 Гц (+0 дБ, -3 дБ)
S/N отношение .....	85 дБ (IEC-A сеть)
Искажение .....	0,3 % (10 Вт / 4 Ω, 100 Гц)
Фильтр нижних частот .....	Предельная частота: 40 Гц до 240 Гц Предельный наклон: -24 дБ/октава
Дозвуковой фильтр (HPF) .....	Частота: 20 Гц Наклон: -24 дБ/октава
Подъем частотной характеристики в области нижних частот .....	Частота: 40 Гц до 120 Гц Уровень: 0 / 6 / 9 / 12 дБ
Регулятор усиления .....	RCA: 400 мВ до 6,5 В
Уровень максимального входа / полное сопротивление .....	RCA: 6,5 В / 22 кΩ

## Примечание:

- Спецификации и конструкция могут быть изменены без предварительного уведомления в связи с постоянной работой по улучшению устройства.

## \*Среднее потребление тока

- Среднее потребление тока приблизительно равно максимальному потреблению тока данным устройством при поступлении в него звукового сигнала. Данное значение следует использовать для расчета общего потребления тока несколькими усилителями мощности.



Visit **www.pioneer.co.uk** (or **www.pioneer-eur.com**) to register your product.

Visite **www.pioneer.es** (o **www.pioneer-eur.com**) para registrar su producto.  
Zum Registrieren Ihres Produktes besuchen Sie bitte **www.pioneer.de** (oder **www.pioneer-eur.com**).

Visitez **www.pioneer.fr** (ou **www.pioneer-eur.com**) pour enregistrer votre appareil.

Si prega di visitare il sito **www.pioneer.it** (o **www.pioneer-eur.com**) per registrare il prodotto.

Bezoek **www.pioneer.nl** (of **www.pioneer-eur.com**) om uw product te registreren.

Посетите **www.pioneer-rus.ru** (или **www.pioneer-eur.com**) для регистрации приобретенного Вами изделия.

## **PIONEER CORPORATION**

4-1, MEGURO 1-CHOME, MEGURO-KU, TOKYO 153-8654, JAPAN

### **PIONEER ELECTRONICS (USA) INC.**

P.O. Box 1540, Long Beach, California 90801-1540, U.S.A.

TEL: (800) 421-1404

### **PIONEER EUROPE NV**

Haven 1087, Keetberglaan 1, B-9120 Melsele, Belgium

TEL: (0) 3/570.05.11

### **PIONEER ELECTRONICS ASIACENTRE PTE. LTD.**

253 Alexandra Road, #04-01, Singapore 159936

TEL: 65-6472-7555

### **PIONEER ELECTRONICS AUSTRALIA PTY. LTD.**

178-184 Boundary Road, Braeside, Victoria 3195, Australia

TEL: (03) 9586-6300

### **PIONEER ELECTRONICS OF CANADA, INC.**

300 Allstate Parkway, Markham, Ontario L3R 0P2, Canada

TEL: 1-877-283-5901

### **PIONEER ELECTRONICS DE MEXICO, S.A. de C.V.**

Bld.Manuel Avila Camacho 138 10 piso

Col.Lomas de Chapultepec, Mexico, D.F. 11000

TEL: 55-9178-4270

Published by Pioneer Corporation.

Copyright © 2007 by Pioneer Corporation.

All rights reserved.

Publication de Pioneer Corporation.

Copyright © 2007 Pioneer Corporation.

Tous droits de reproduction et de traduction réservés.