

Performance Sub P 30



12" (30cm) subwoofer

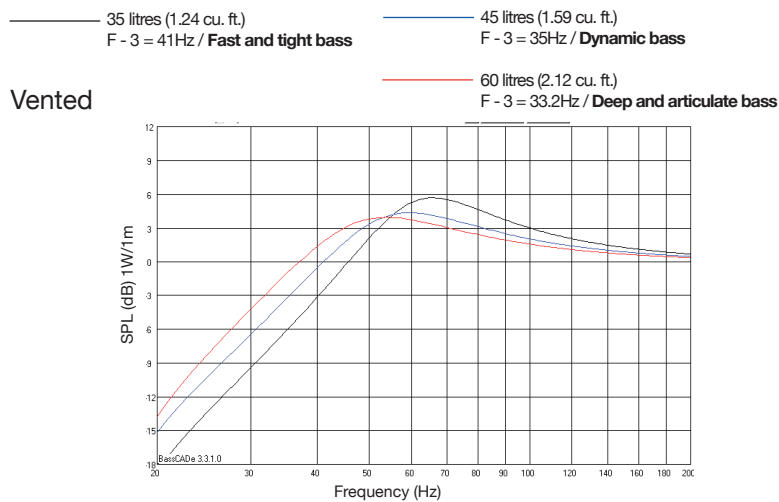


- Polypropylene cone
- For sealed or vented box

SPECIFICATIONS

Nominal power	250W	
Maximum power	500W	
Sensitivity	90.8dB	
Cone	Polypropylene	
Surround	Butyl	
Nom. impedance	4 Ohms	
DC resistance	3.6 Ohms	
VC diameter	50mm	
VC height	18.5mm	
Former	Kapton	
Layers	4	
Wire	Copper	
Inductance	1.12mH	
Xmax	5.25mm	0 3/16"
Magnet d x h	145x20mm	5 11/16 x 0 13/16"
Magnet weight	1000g	2.2lb
Flux density	-	
Gap height	8mm	
Net weight	4050g	8.93lb

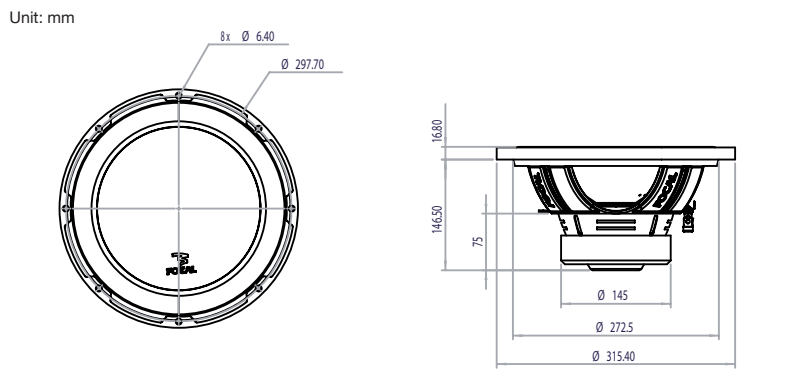
SUGGESTED APPLICATION



PARAMETERS

Fs	31.28Hz	
Vas	63.92 l	
Qts	0.51	
Qes	0.55	
Qms	6.59	
Re	3.6 Ohms	
Sd	510.7cm ²	
Cas	4.55E-7m ⁵ /N	
Mas	56.87kg/m ⁴	
Ras	1695.98 Ohms.ac	
Cms	1.75E-4m/N	
Mms	148.32g	
Rms	4.423kg/s	
Ces	777.34mF	
Les	33.3mH	
Res	43.13 Ohms	
BI	13.81 N/A	
SPL	87.35 dB/W/m	

MECHANICAL DRAWING



SUGGESTED APPLICATION

Load	Volume	Port diameter	Port length
Vented	35	8 (3 1/8")	20 (7 7/8")
Vented	45	8 (3 1/8")	22 (8 2/3")
Vented	60	8 (3 1/8")	17 (6 11/16")

Load	Volume	F-3 (Hz)	QI
Sealed	25	47.3	0.96
Sealed	35	45.1	0.85
Sealed	45	44	0.79