

# Style 409-R Mounting Kit

Thank you for purchasing a Shakespeare antenna product. Shakespeare works hard to build reliability and durability into all of its products. Customer comments are welcome.

Before installing, please study the diagram and check parts supplied against those listed.

**IMPORTANT! Please read all instructions before installing.**

The Style 409-R mounting kit is a versatile antenna mounting kit comprised of a Shakespeare Style 407 Heavy Duty 4-Way Swivel Mount and a Shakespeare Style 408-R Standoff Bracket. The swivel mount permits mounting on almost any surface, vertical or horizontal, and allows antenna laydown in desired direction. For use with 1½" antennas, and antennas of 1⅝" and 1" diameter by using the appropriate adapter (supplied) in the standoff bracket.

**Tools required: Drill and drill bit for ¼" screws; screwdriver; wrench or pliers**

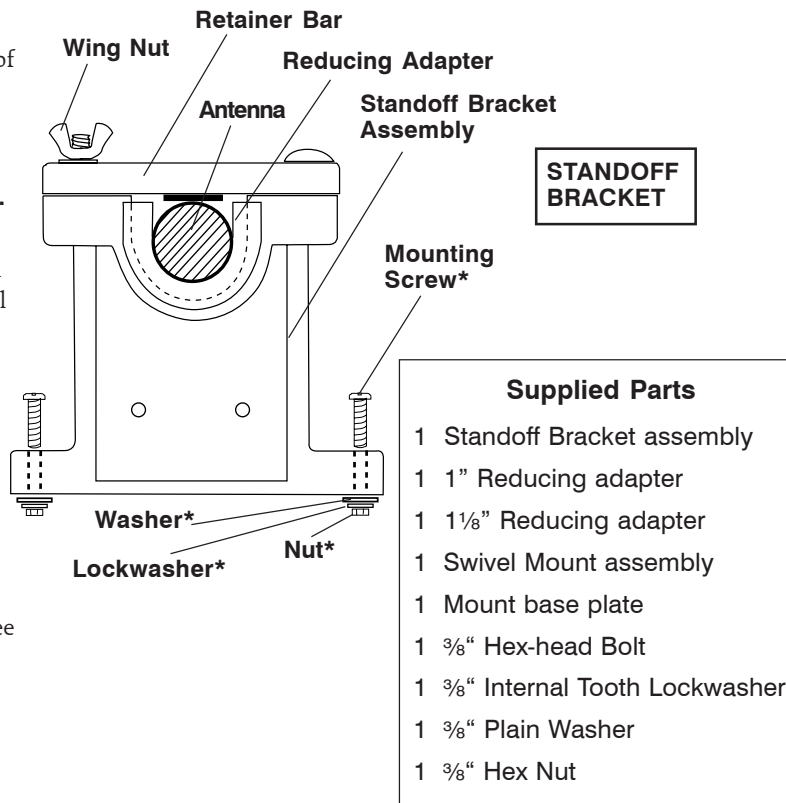
## Installation Instructions

Choose an antenna mounting location as high as feasible, as free as possible from obstructions, and as far as possible from other antennas and strong sources of RF.

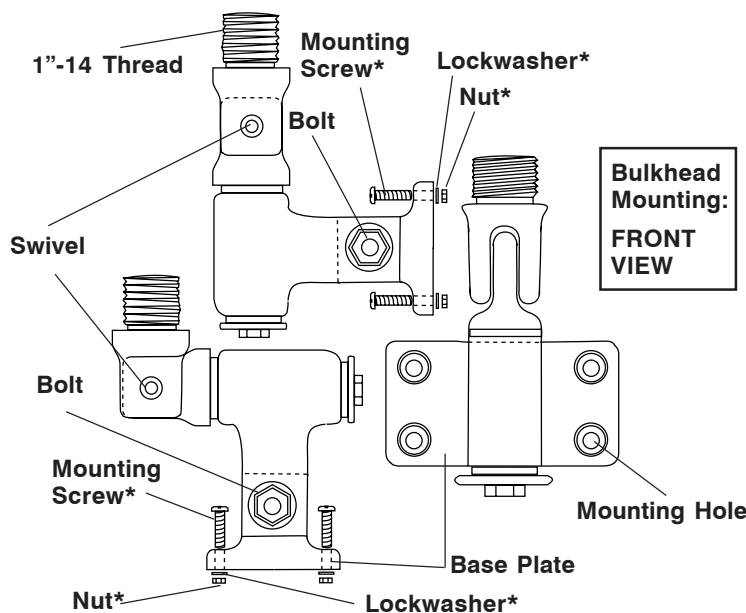
- Using the base of the Swivel Mount as a template, mark the location for the four mounting holes. Drill ¼" holes.
- Assemble the Swivel Mount by joining its two sections and securing them with the hex-head bolt, washer, lockwasher and nut (supplied). This joint can be in two positions, according to whether you're mounting to a vertical or horizontal surface.
- Attach the Swivel Mount to the mounting surface using hardware (not supplied) that is applicable to the mounting surface.

**IMPORTANT: If the thickness of the mounting surface is not adequate to support the antenna under expected stress, a wooden back-up pad (not supplied) should be applied underneath the mounting surface during installation.**

- Assemble the antenna to the Swivel Mount, being careful not to damage the antenna's cabling, if any.
- Loosen the wing nut on top of the Standoff Bracket and slide the retainer bar out of the way. Gently place the antenna in its mounting position in the U-shaped opening in the bracket. For 1⅝" and 1" antennas, put the appropriate reducing adapter (supplied) in the opening.
- Rotate the retainer bar over the antenna to lock it in place.
- Using the Standoff Bracket itself as a template, mark the position for its mounting holes.
- Drill ¼" mounting holes, and install the bracket using stainless steel hardware appropriate to the mounting surface (hardware not supplied).
- Tighten the wing nut to secure the antenna in the bracket. The completed installation should attach the antenna firmly to the mounting surface, leaving no "play" between the antenna and the standoff bracket.



### Bulkhead Mounting: SIDE VIEW



### Deck Mounting: SIDE VIEW

\* Not supplied. For some types of mounting surfaces you might need stainless steel woodscrews or other hardware.

**Shakespeare Electronic Products Group · Marine Products**

6111 Shakespeare Rd. · Columbia, SC 29223 · 803-227-1590 · Fax: 803-419-3099 · www.shakespeare-marine.com