

# SUBWOOFER

Mille

## ML 3800

1800 Watt

### Technical Specifications

Component	Subwoofer	
Size	mm	380 (15")
Power Handling (Watt)	peak	1800
	cont. program	900
Impedance	$\Omega$	4
Frequency response	Hz	22 ÷ 800
Sensitivity	dB/SPL	91
Outer diameter	mm	391
Mounting hole diameter	mm	351
Total depth	mm	218,4
Mounting depth	mm	190,5
Total driver displacement	l	3,9
Weight of one component	kg	13,7
Voice coil diameter	mm	65
Magnet	Double magnet high density flux ferrite	
Cone	Polypropylene with Talco injection	
Xmech*	mm	28

### Electro-Acoustic Parameters

D	mm	320
Xmax	mm	19
Re	$\Omega$	2,6
Fs	Hz	28
Le	mH@1kHz	1,68
Le	mH@10kHz	0,84
Vas	l	130
Mms	gr	233
Cms	mm/N	0,13
BL	T-m	13
Qts		0,6
Qes		0,64
Qms		11,65
Spl (1m/2,83V)		91



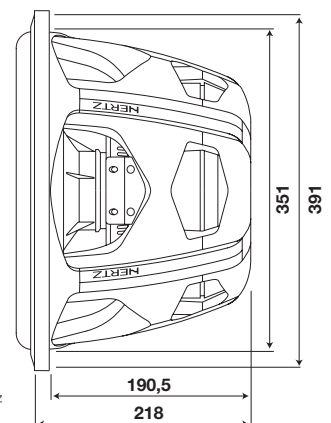
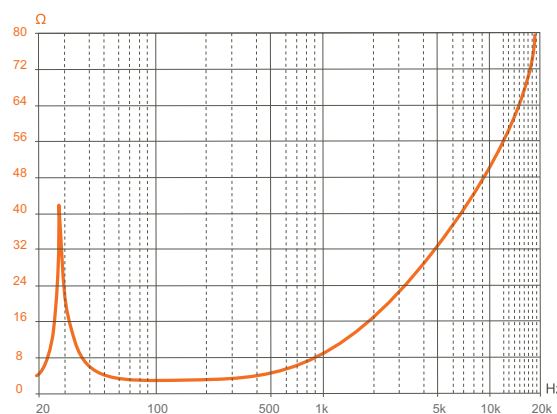
Powerful from the lowest octaves of the audio range. The Hertz ML subs set a new benchmark for low frequency reproduction with the impact, dynamics and pressure that only a reference component can achieve.

Power and harmony in the anti-resonant aluminium alloy basket design, self-standing low incidence five-spokes structure, Front-Back Gasket, magnet protection.

Ultimate technology in every detail: V-cone with Polypropylene membrane stiffened with mineral dusts, high excursion surrounds, extended pole piece, dual layer mobile voice coil with copper covered aluminium wire (CCAW), oversize motor assembly with an exclusive forced ventilation circuit. A harder, deeper and more controlled bass for a unique enthralling experience.



Unparalleled quality; the Klippel Quality Control System is our actual guarantee to always produce a product entirely in compliance with the most challenging international standards.



\* Xmech maximum mechanic excursion: it indicates the motion range in the speaker linear functioning area, in both ways.

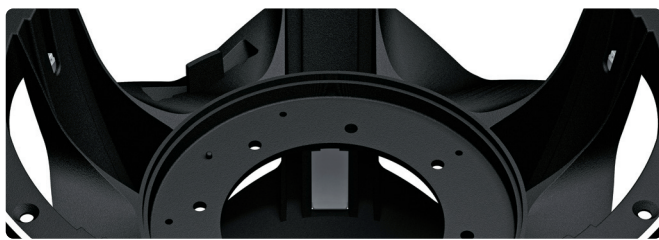


ML 3000



### V-cone® Subwoofer

The V-cone is applied to a Polypropylene membrane stiffened with mineral dusts. The exponential profile without dust cover gets very close to the ideal one and eliminates break-ups to provide the maximum undistorted performance.



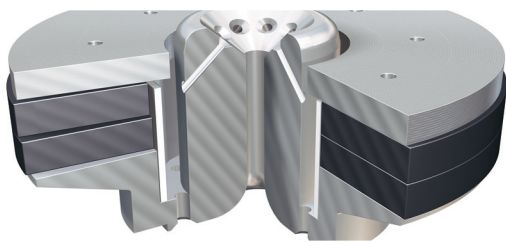
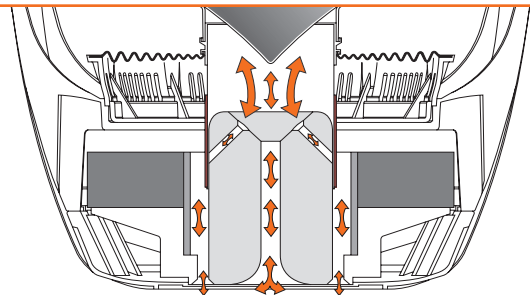
### Anti-Resonant Alloy Basket

Reference in design: power and harmony in a mix of sharp lines and widely curved profiles. The anti-resonant aluminium alloy basket features five low incidence spokes and offers the minimum back radiation resistance, eliminating every distortion due to acoustic compression. The self-standing geometry of the structure contributes to total mechanical damping, performing a perfectly transparent sound.

### Triple Venting System

The combination of flared port with radial holes in the central pole in the bottom plate carries the air compressed by the cone movement directly to the mobile voice coil and outside the magnet assembly, producing a 30% fall of the speaker operation temperature.

The improvement of the air flows inside the motor, with this peculiar channel geometry, creates a forced ventilation circuit that drastically reduces the dynamic compression, raising the applicable power over the top.



### Symmetrical Shape Pole

The "Symmetrical Shape" central pole addresses the external lines increasing the magnetic flux density and perceptibly decreasing the field asymmetry distortion.

An aluminium rounded ring inside the motor cuts the inductance modulation at the highest excursions, for a harder, deeper, clearer bass.

### Front Back Gasket

Basic design and care for details. The gasket is designed to allow both possible mountings.

In the traditional position a rubber gasket ensures a perfect hermetical seal and the inserts, imitating the spokes lines, protect and cover the subwoofer fixing screws. When the sub is used with the magnet visible, the gasket can be mounted upside down in order to finish off the basket nicely.



FRONT BACK GASKET